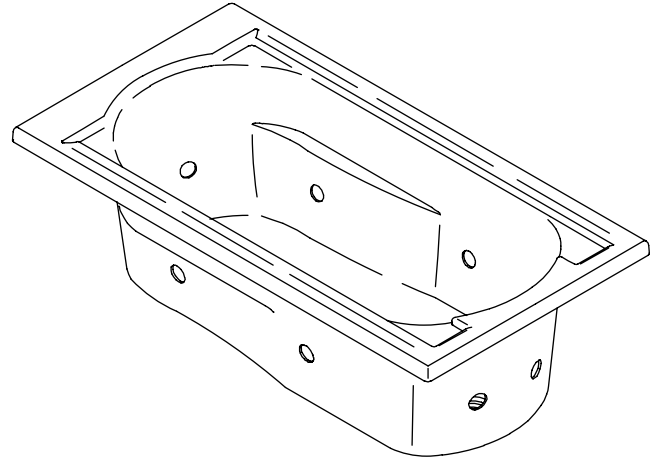


Features

- Acrylic
- 8 color-matched Kohler hydro-massage jets
- Pump with air switch and grounding-type plug-in cord
- In-line heater
- Textured bottom surface
- 60" (152.4 cm) x 32" (81.3 cm) x 20" (50.8 cm)

BATH WHIRLPOOL WITH HEATER K-1357-H



Codes/Standards Applicable

Specified model meets or exceeds the following:

- ANSI Z124.1.2
- ASME A112.19.7M
- ASTM E162
- ASTM E662
- UL 1795

Colors/Finishes

- 0: White
- Other: Refer to Price Book for additional colors/finishes

Accessories

- 0: White
- CP: Polished Chrome
- PB: Polished Brass
- NA: None applicable
- Other: Refer to Price Book for additional colors/finishes

Specified Model

Model	Description	Colors/Finishes		
K-1357-H	Bath whirlpool with heater	<input type="checkbox"/> 0	<input type="checkbox"/> Other_____	
Recommended Accessories				
K-7161-AF	Adjustable pop-up bath drain	<input type="checkbox"/> CP	<input type="checkbox"/> PB	<input type="checkbox"/> Other_____
K-7213	Clearflo bath cable drain with PVC tubing	<input type="checkbox"/> CP		<input type="checkbox"/> Other_____
K-7214	Clearflo bath cable drain without PVC tubing	<input type="checkbox"/> CP		<input type="checkbox"/> Other_____
Optional Accessories				
K-1491	Pillow	<input type="checkbox"/> 0		<input type="checkbox"/> Other_____
K-1601	Footstop	<input type="checkbox"/> 0		<input type="checkbox"/> Other_____

Product Specification

The acrylic bath whirlpool shall be 60" (152.4 cm) in length, 32" (81.3 cm) in width, and 20" (50.8 cm) in height. Product shall have 8 color-matched Kohler jets, a pump with air switch and grounding-type plug-in cord, and an in-line heater. Product shall have a textured bottom surface. Bath whirlpool shall be Kohler Model K-1357-H-____.

DEVONSHIRE®

Technical Information

Fixture*:	
Bathing well:	
Basin area, bottom	42" (106.7 cm) x 20" (50.8 cm)
Basin area, top	51" (129.5 cm) x 24" (61 cm)
Weight	145 lbs (65.8 kg)
To overflow:	
Water depth	14" (35.6 cm)
Capacity	60 gal (227.1 L)
* Approximate measurements for comparison only.	

Cut-out dimension:	
Drop-in cut-out	58" (147.3 cm) x 30" (76.2 cm)

Pump:		V	Hz	A
1-speed		120	60	7
Heater:	kW	V	Hz	A
	1.5	120	60	12.5

Required Electrical Service

Two dedicated circuits required, each protected with Class A Ground-Fault Circuit-Interrupter (GFCI):	
Pump/control	120 V, 15 A, 60 Hz
Heater	120 V, 15 A, 60 Hz
Locate the outlets behind the whirlpool and within 24" (61 cm) of the pump and heater.	

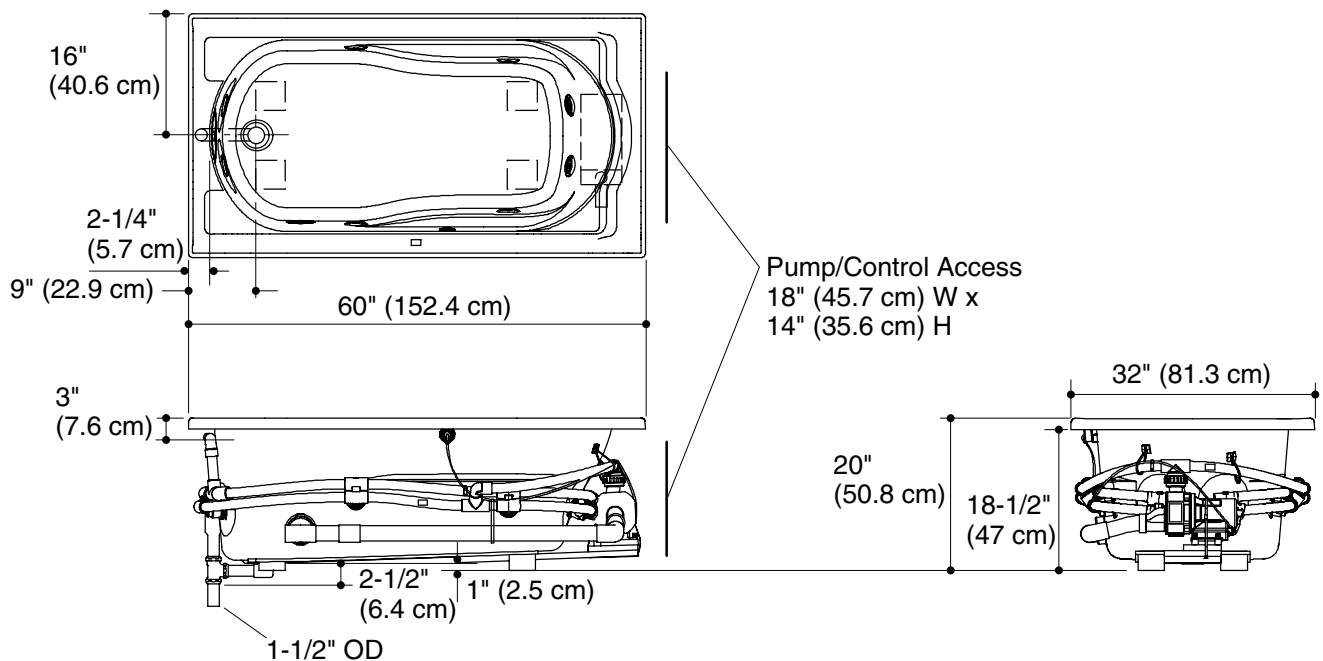
Installation Notes

Install this product according to the installation guide.

Floor support under whirlpool must provide for a minimum of 50 lbs/square foot (246 kg/square meter) loading.

No change in measurements if connected with drain illustrated. (K-7161-AF or K-7161M-AF)

K-1357-H



Product Diagram