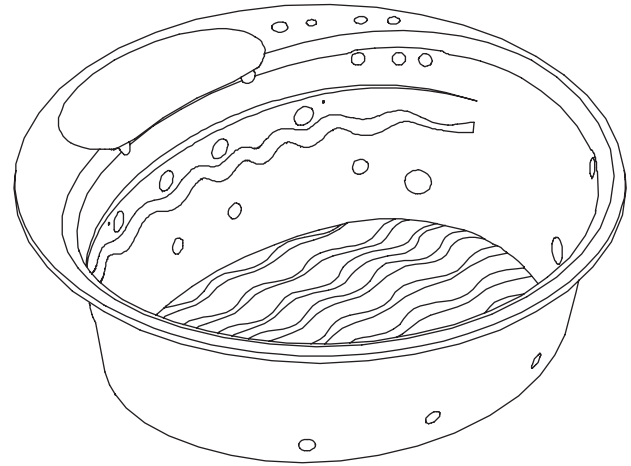


BATH WHIRLPOOL K-1397-H2 ALSO K-1397-H3

Features

- Acrylic
- Integral fill and valves
- Waterfall
- Less all trim
- Two variable speed pumps with back-lit user control and remote control
- 4 kW heater (on separate electrical service)
- 8 Flexjets™
- 4 Riverjets
- 4 chromatherapy lights (H2 model only)
- Air aspiration "On/Off" feature
- 75" (190.5 cm) D. x 25" (63.5 cm) high [27-1/2" (69.9 cm) high with pillow]
- One large pillow and three small pillows



Codes/Standards Applicable

Specified model meets or exceeds the following:

- ANSI Z124.1.2
- ASME A112.19.7M
- UL 1795

Colors/Finishes

- 0: White
- Other: Refer to Price Book for additional colors/finishes

Accessories

- CP: Polished Chrome
- PB: Vibrant® Polished Brass
- Other: Refer to Price Book for additional colors/finishes

Specified Model

Model	Description	Colors/Finishes	
K-1397-H2	Bath whirlpool with chromatherapy lights	<input type="checkbox"/> 0	<input type="checkbox"/> Other_____
K-1397-H3	Bath whirlpool less chromatherapy lights	<input type="checkbox"/> 0	<input type="checkbox"/> Other_____

Required Accessories

Model	Description	CP	PB	Other
K-9398	Flexjet™ trim kit	<input type="checkbox"/> CP	<input type="checkbox"/> PB	<input type="checkbox"/> Other_____
K-T9540-4	Transfer valve trim, lever handle OR	<input type="checkbox"/> CP	<input type="checkbox"/> PB	<input type="checkbox"/> Other_____
K-T9540-7	Transfer valve trim, round handle	<input type="checkbox"/> CP	<input type="checkbox"/> PB	<input type="checkbox"/> Other_____
Varies	Handshower	<input type="checkbox"/> CP	<input type="checkbox"/> PB	<input type="checkbox"/> Other_____
Varies	Faucet handles	<input type="checkbox"/> CP	<input type="checkbox"/> PB	<input type="checkbox"/> Other_____

Recommended Accessories

Model	Description	CP	PB	Other
K-7167	Clearflo pop-up bath drain	<input type="checkbox"/> CP	<input type="checkbox"/> PB	<input type="checkbox"/> Other_____

Product Specification

The acrylic bath whirlpool shall be 75" (190.5 cm) in diameter and 25" (63.5 cm) in height [27-1/2" (69.9 cm) in height with pillow]. Product shall have integral fill and valves. Product shall have 8 Flexjets, 4 Riverjets, and 4 chromatherapy lights (H2 model only) Product shall have waterfall, 4 kW heater, two variable speed pumps with back-lit user control and remote control. Product shall be UL listed and less all trim. Product shall have air aspiration "On/Off" feature, one large pillow and three small pillows. Bath whirlpool shall be Kohler Model K-1397-_____.

RIVERBATH®

Technical Information

Fixture*:	
Bathing well:	
Basin area, bottom	61" (154.9 cm) x 46" (116.8 cm)
Basin area, top	68" (172.7 cm) x 58" (147.3 cm)
Weight	290 lbs (132 kg)
To overflow:	
Water depth	20" (50.8 cm)
Capacity	215 gal (813.9 L)
* Approximate measurements for comparison only.	

Pump: (Qty. 2)	V	Hz	A
Variable speed:	240	50/60	18

Included components:	
Cut-out template, top (drop-in)	1000554-7
Cut-out template, bottom (drop-in)	1000555-7
Cut-out template, top (flush-mount)	1000556-7
Cut-out template, bottom (flush-mount)	1000557-7

Required Electrical Service

Dedicated circuit required, protected with Class A Ground-Fault Circuit-Interrupter (GFCI) or Residual Current Device (RCD):	
Pump/control	220-240 V, 20 A, 50/60 Hz
Heater	220-240 V, 20 A, 50/60 Hz, 4 kW

Installation Notes

Install this product according to the installation guide.

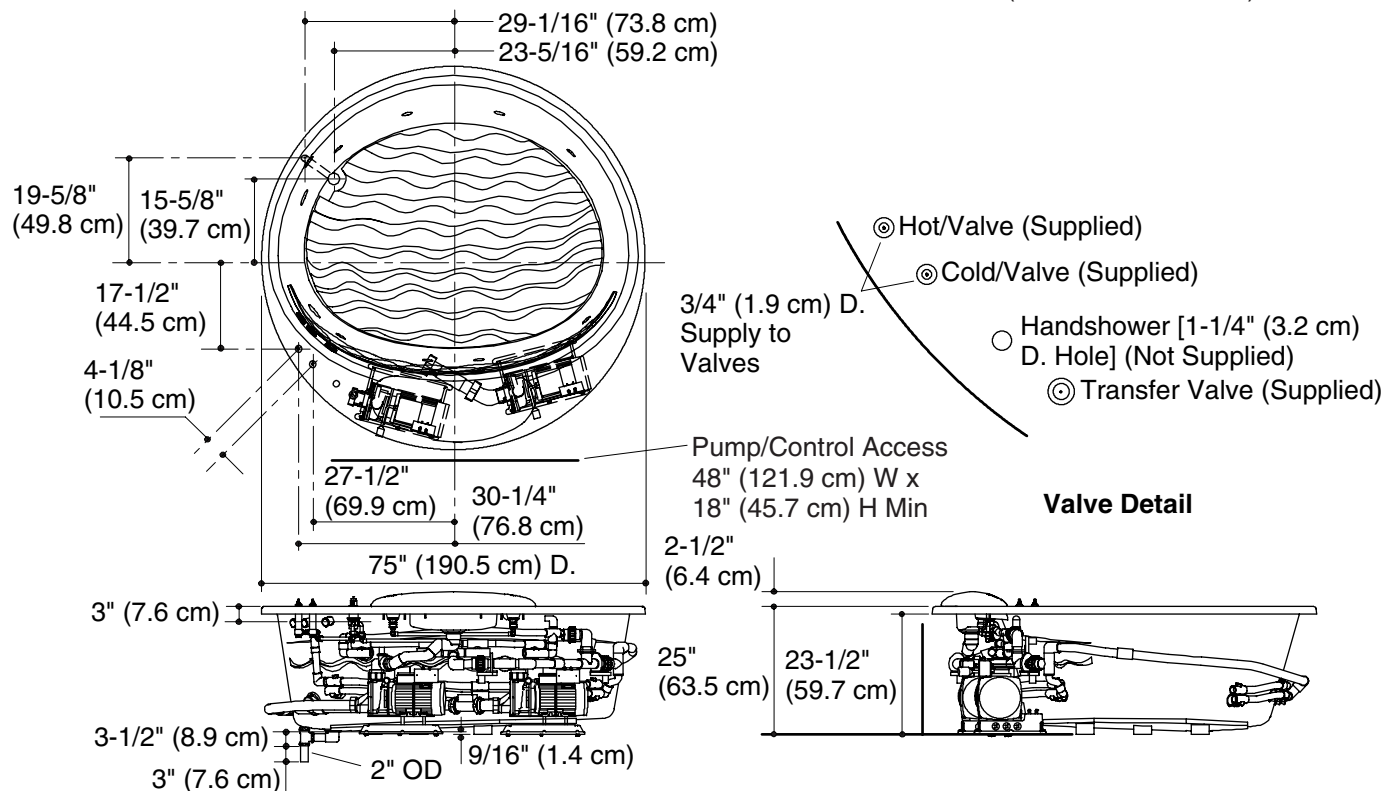
Two separate 240 V electrical services required; one for the pump/control, and another for the heater.

Floor support under whirlpool must provide for a minimum of 54 lbs/square foot (264 kg/square meter) loading.

Hot water supply should be 70% of capacity or greater. Installations will vary.

Consult local and national codes for minimum air gap requirements if installing a spout on the faucet deck other than that supplied.

No change in measurements with drain shown. (K-7167 or K-7167M)



Product Diagram