

**BATH FAUCET TRIM
K-T10278**

ADA

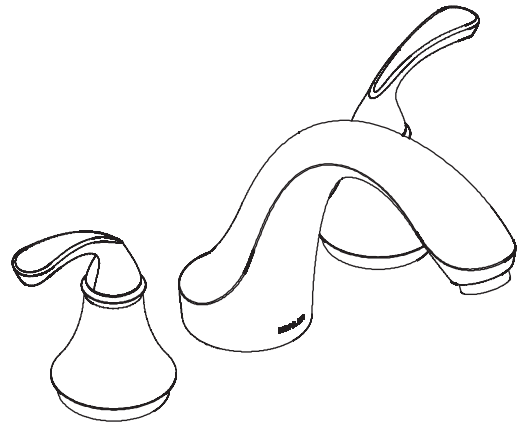
Features

- Brass construction
- Bath- or deck-mount
- Lever handles
- 7" (17.8 cm) non-diverter spouts with slip-fit connection

Codes/Standards Applicable

Specified model meets or exceeds the following:

- ASME A112.18.1/CSA B125.1
- IAPMO/UPC
- ADA





Colors/Finishes

- CP: Polished Chrome
- Other: Refer to Price Book for additional colors/finishes

Accessories

- NA: None applicable

Specified Model

Model	Description				
K-T10278-4	Forte® bath faucet trim with sculpted lever handles	<input type="checkbox"/> CP	<input type="checkbox"/> Other _____		
K-T10278-4A	Forte® bath faucet trim with traditional lever handles			<input type="checkbox"/> CP	<input type="checkbox"/> Other _____

Required Accessories

K-300-K	1/2" High-Flow Ceramic Disc Valve System OR	<input type="checkbox"/> NA
K-301-K	3/4" High-Flow Ceramic Disc Valve System	<input type="checkbox"/> NA

Optional Accessories

73444	Deep roughing-in kit for high-flow deck-mount bath faucets (all handles)	<input type="checkbox"/> NA
-------	--	-----------------------------

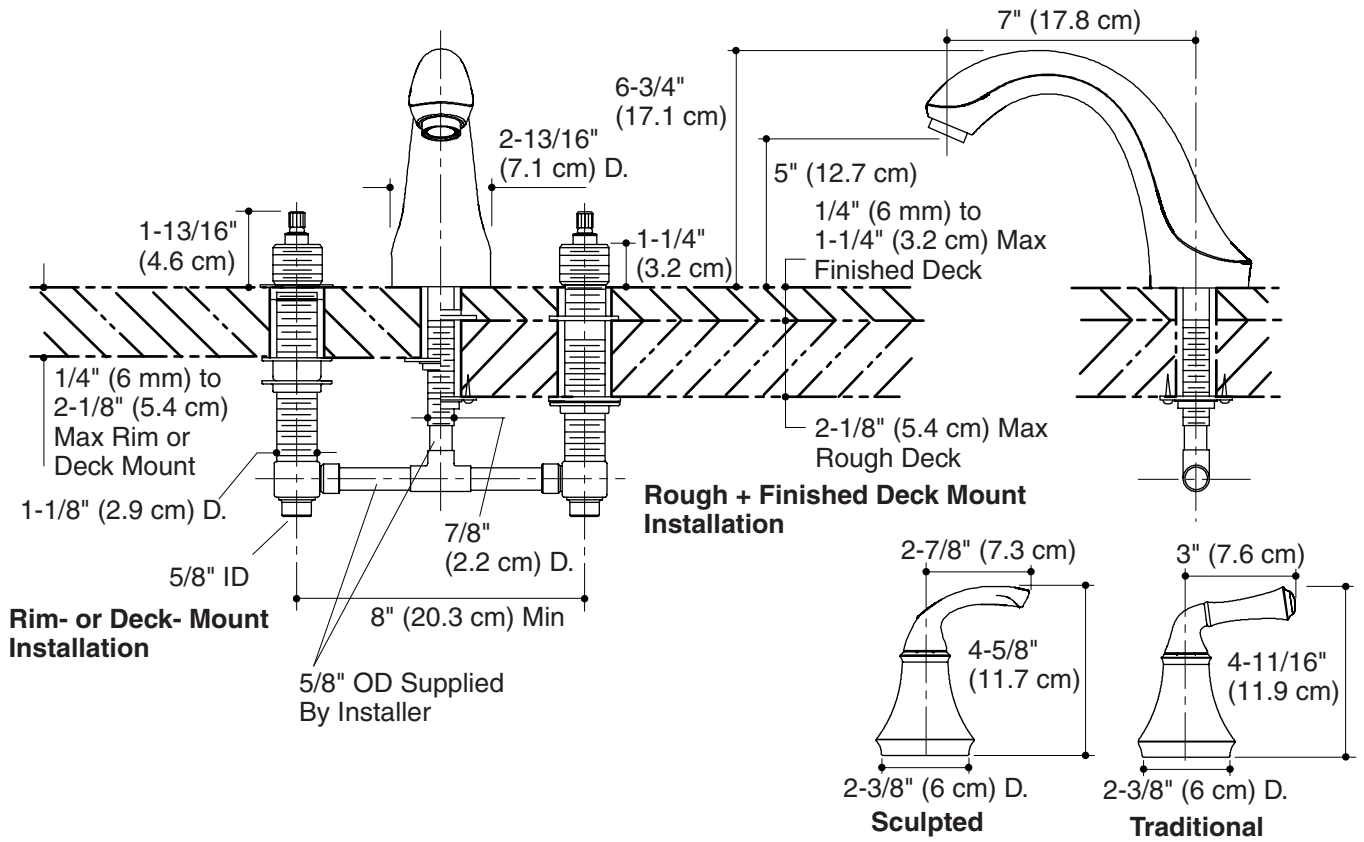
Product Specification

Two-handle deck-mount high-flow bath faucet trim shall be of brass construction. Product shall include a 7" (17.8 cm) non-diverter spout with slip-fit connection. Faucet trim shall be Kohler Model K-T10278-_____-_____- and valve system shall be Kohler Model K-_____-K-NA.

FORTE®

Installation Notes

Install this product according to the installation guide.



Product Diagram