

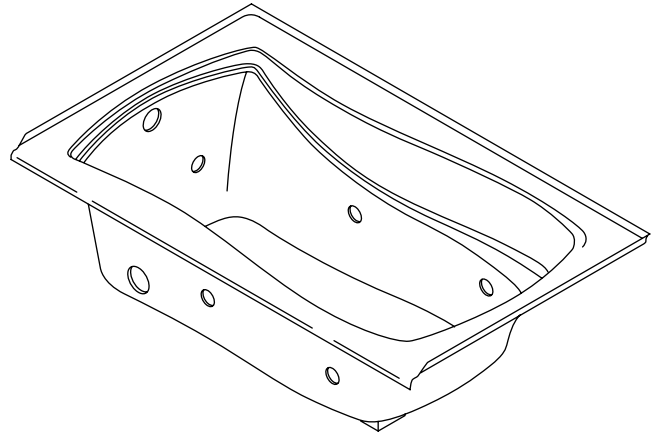
### Features

- Acrylic
- Drop-in or three-wall alcove
- 5 individually adjustable ProFlex® hydro-massage jets
- Pump with air switch and grounding-type plug-in cord
- In-line heater
- Optional K-9695 metal finish 5 jet trim kit
- Optional K-1234 removable apron
- 66" (167.6 cm) x 35-7/8" (91.1 cm) x 20" (50.8 cm)

### BATH WHIRLPOOL WITH HEATER

## K-1224-H

ALSO K-1224-LH, K-1224-RH



### Codes/Standards Applicable

Specified model meets or exceeds the following:

- ASME A112.19.7M
- ANSI Z124.1.2
- ASTM E162
- ASTM E662
- UL 1795

### Colors/Finishes

- 0: White
- Other: Refer to Price Book for additional colors/finishes

### Accessories

- CP: Polished Chrome
- PB: Vibrant® Polished Brass
- Other: Refer to Price Book for additional colors/finishes

### Specified Model

Model	Description	Colors/Finishes		
K-1224-H	Bath whirlpool with heater – drop-in	<input type="checkbox"/> 0	<input type="checkbox"/> Other_____	
K-1224-LH	Bath whirlpool with heater – 3-wall alcove, integral flange and left drain (shown)	<input type="checkbox"/> 0	<input type="checkbox"/> Other_____	
K-1224-RH	Bath whirlpool with heater – 3-wall alcove, integral flange and right drain	<input type="checkbox"/> 0	<input type="checkbox"/> Other_____	
<b>Recommended Accessories</b>				
K-7161-AF	Adjustable pop-up drain with tailpiece	<input type="checkbox"/> CP	<input type="checkbox"/> PB	<input type="checkbox"/> Other_____
<b>Optional Accessories</b>				
K-1234	Removable apron	<input type="checkbox"/> 0		<input type="checkbox"/> Other_____
K-9695	Metal finish 5 jet trim kit		<input type="checkbox"/> CP <input type="checkbox"/> PB	<input type="checkbox"/> Other_____

### Product Specification

The acrylic bath whirlpool shall be 60" (152.4 cm) in length, 35-7/8" (91.1 cm) in width, and 20" (50.8 cm) in height. Bath whirlpool shall be for drop-in or 3-wall alcove installation. Bath whirlpool shall have 5 individually adjustable ProFlex® hydro-massage jets, a pump with air switch and grounding-type plug-in cord, and an in-line heater. Bath whirlpool shall be available with an optional K-1234 removable apron and an optional K-9695 metal finish 5 jet trim kit. Bath whirlpool shall be Kohler Model K-1224-\_\_\_\_-\_\_\_\_.

# MARIPOSA®

## Technical Information

Fixture*:	
Bathing well:	
Basin area, bottom	48" (121.9 cm) x 24" (61 cm)
Basin area, top	59" (149.9 cm) x 30" (76.2 cm)
Weight	115 lbs (52.2 kg)
To overflow:	
Water depth	14" (35.6 cm)
Capacity	67 gal (253.6 L)
* Approximate measurements for comparison only.	

Drop-in cutout:	64" (162.6 cm) x 34" (86.4 cm)
-----------------	--------------------------------

Pump:	V	Hz	A	
1-speed	120	60	7.5	
Heater:	Kw	V	Hz	A
	1.5	120	60	12.5

## Required Electrical Service

Two dedicated circuits required, each protected with Class A Ground-Fault Circuit-Interrupter (GFCI):	
Pump/control	120 V, 15 A, 60 Hz
Heater	120 V, 15 A, 60 Hz
Locate the outlets behind the whirlpool and within 24" (61 cm) of the pump.	

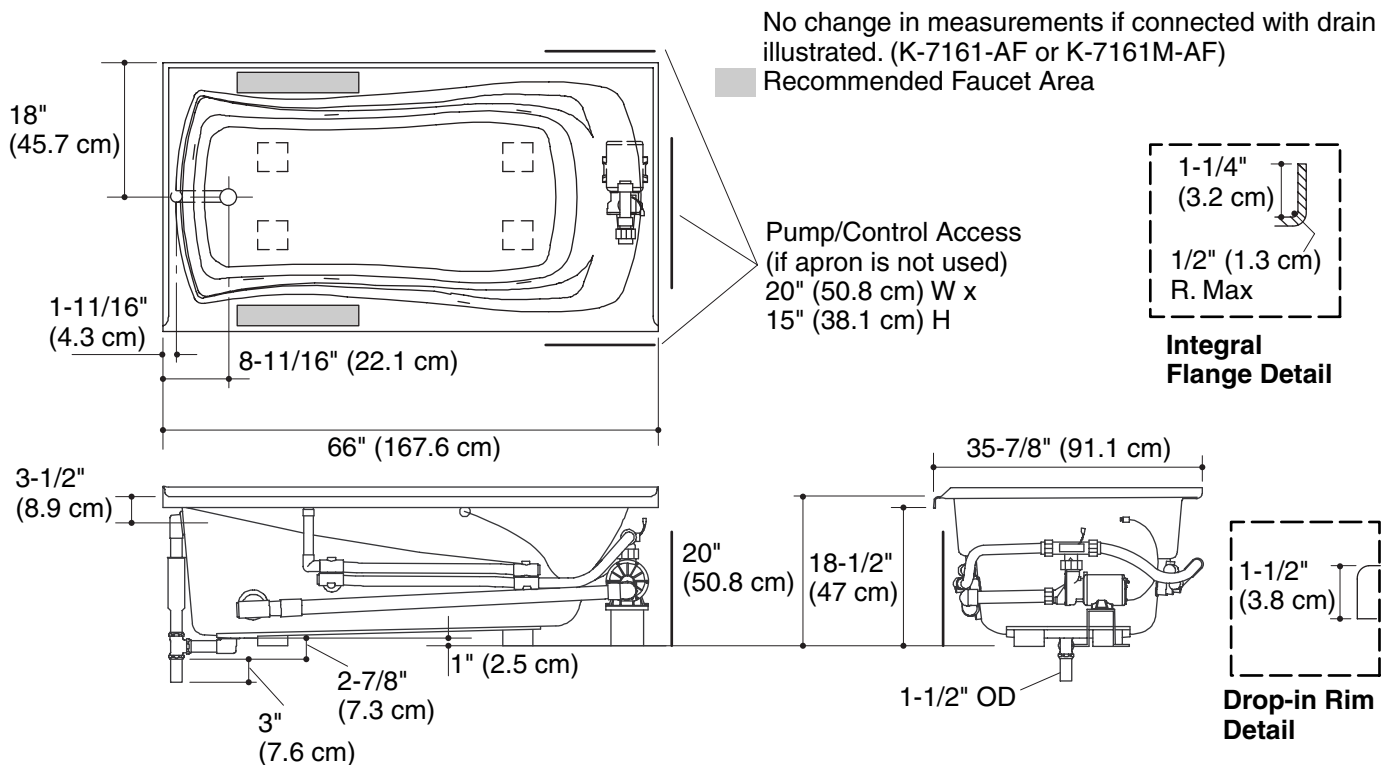
## Installation Notes

Install this product according to the installation guide.

Floor support under whirlpool must provide for a minimum of 43 lbs/square foot (208 kg/square meter) loading.

If installing a rim-mount faucet, make sure there is no interference with the drain overflow and circulating system before drilling any holes. If installing a spout on the faucet deck, consult local and national codes for minimum air gap requirements.

The apron must be installed before the finished floor and wall materials are installed.



## Product Diagram