

Features

- Acrylic
- Integral apron with removable access panel
- 5 individually adjustable ProFlex® hydro-massage jets
- Pump with air switch and grounding-type plug-in cord
- UL listed
- Optional K-9695 metal finish 5 jet trim kit
- 60" (152.4 cm) x 36" (91.4 cm) x 20" (50.8 cm)

Codes/Standards Applicable

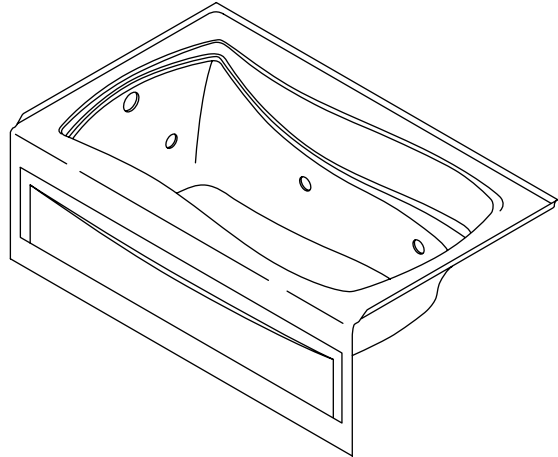
Specified model meets or exceeds the following:

- ASME A112.19.7M
- ANSI Z124.1.2
- UL 1795

BATH WHIRLPOOL WITH INTEGRAL APRON

K-1239-LA

ALSO K-1239-RA



Colors/Finishes

- 0: White
- Other: Refer to Price Book for additional colors/finishes

Accessories

- CP: Polished Chrome
- PB: Vibrant® Polished Brass
- Other: Refer to Price Book for additional colors/finishes

Specified Model

Model	Description	Colors/Finishes	
K-1239-LA	Bath whirlpool with integral apron – left drain (shown)	<input type="checkbox"/> 0	<input type="checkbox"/> Other_____
K-1239-RA	Bath whirlpool with integral apron – right drain	<input type="checkbox"/> 0	<input type="checkbox"/> Other_____

Recommended Accessories

K-7161-AF	Adjustable pop-up drain with tailpiece	<input type="checkbox"/> CP	<input type="checkbox"/> PB	<input type="checkbox"/> Other_____
-----------	--	-----------------------------	-----------------------------	-------------------------------------

Optional Accessories

K-9695	Metal finish 5 jet trim kit	<input type="checkbox"/> CP	<input type="checkbox"/> PB	<input type="checkbox"/> Other_____
--------	-----------------------------	-----------------------------	-----------------------------	-------------------------------------

Product Specification

The acrylic bath whirlpool shall be 60" (152.4 cm) in length, 36" (91.4 cm) in width, and 20" (50.8 cm) in height. Bath whirlpool shall have an integral apron with removable panel. Bath whirlpool shall have 5 individually adjustable ProFlex hydro-massage jets, a pump with air switch and grounding-type plug-in cord. Bath whirlpool shall be UL listed. Bath whirlpool shall have an optional K-9695 metal finish 5 jet trim kit. Bath whirlpool shall be Kohler Model K-1239-_____-_____.

MARIPOSA®

Technical Information

Fixture*:			
Basin area:			
Bathing well, bottom	46" (116.8 cm) x 24" (61 cm)		
Bathing area, top	54" (137.2 cm) x 27" (68.6 cm)		
Weight	105 lbs (47.6 kg)		
To overflow:			
Water depth	14" (35.6 cm)		
Capacity	63 gal (238.5 L)		
* Approximate measurements for comparison only.			
Pump:	V	Hz	A
1-speed	120	60	7.5

Required Electrical Service

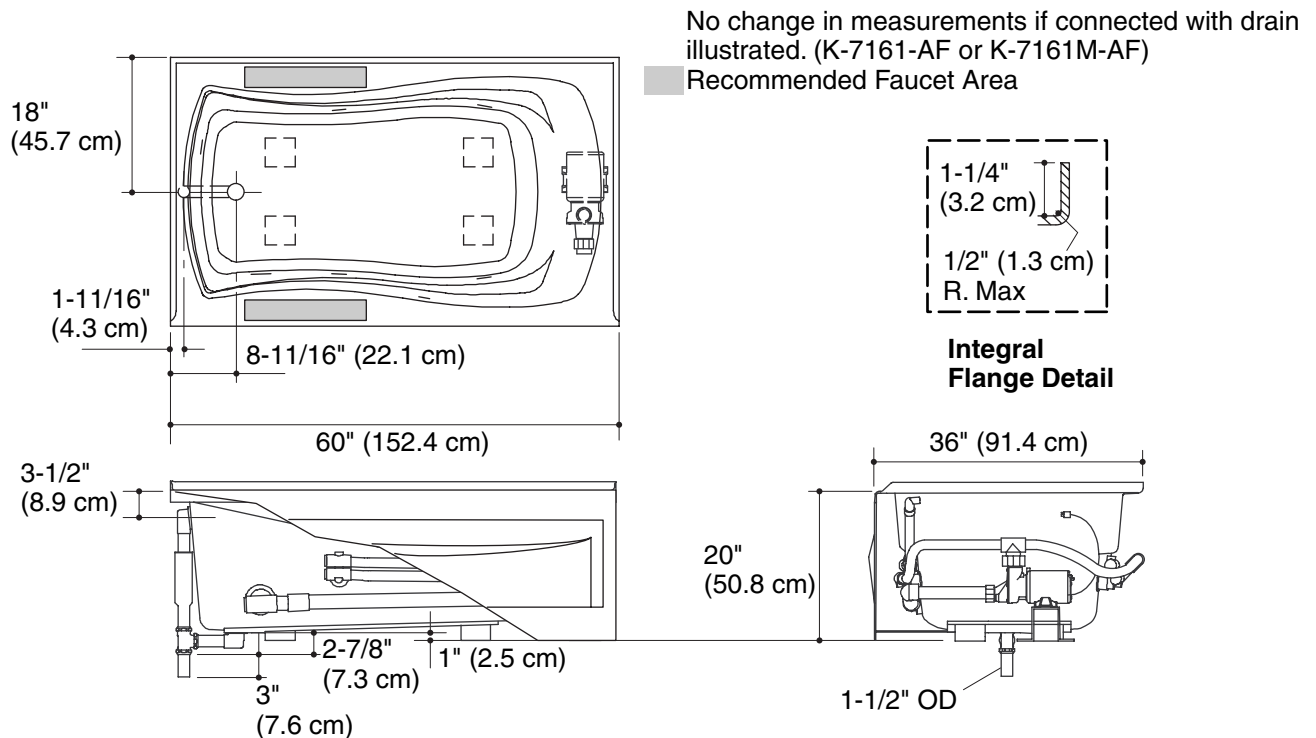
Dedicated circuit required, protected with Class A Ground-Fault Circuit-Interrupter (GFCI):	
Pump/control	120 V, 15 A, 60 Hz
Locate the outlet behind the whirlpool and within 24" (61 cm) of the pump.	

Installation Notes

Install this product according to the installation guide.

Floor support under whirlpool must provide for a minimum of 44 lbs/square foot (214 kg/square meter) loading.

If installing a rim-mount faucet, make sure there is no interference with the drain overflow before drilling any holes. Consult local and national codes for minimum air gap requirements if installing a spout on the faucet deck.



Product Diagram