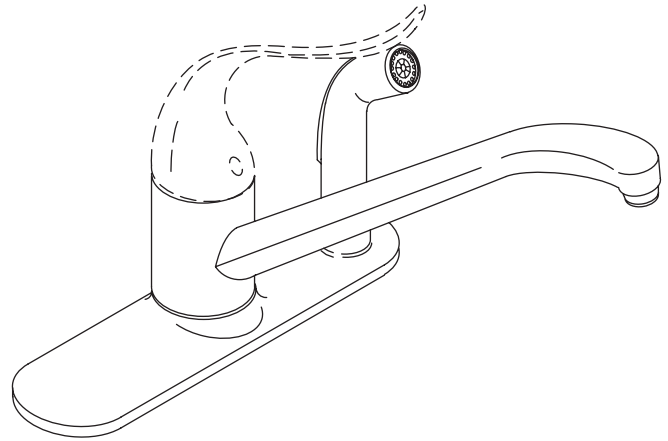


**KITCHEN SINK FAUCET
K-15173**

ADA

Features

- Metal construction
- One-piece, self-contained ceramic disc valve allows both volume and temperature control
- Temperature memory allows faucet to be turned on and off at any temperature setting
- High-temperature limit setting for added safety
- ADA compliant loop or lever handle
- Available with an 8-1/2" (21.6 cm) or 10" (25.4 cm) swing spout reach
- Flexible supplies
- Matching finish sidespray through escutcheon
- Lower flow aerator options are available (refer to the Kohler Price Book)
- 2.2 gpm (8.3 lpm) maximum flow rate



Codes/Standards Applicable

Specified model meets or exceeds the following at date of manufacture:

- ADA
- ASME A112.18.1/CSA B125.1
- ICC/ANSI A117.1
- Energy Policy Act of 1992
- NSF 61
- All applicable US Federal and State material regulations



Colors/Finishes

- CP: Polished Chrome
- Other: Refer to Price Book for additional colors/finishes

Accessories

- CP: Polished Chrome
- NA: None applicable

Specified Model

Model	Description	Lever Handle		Loop Handle	
			<input type="checkbox"/> CP <input type="checkbox"/> Other ____		<input type="checkbox"/> CP <input type="checkbox"/> Other ____
K-15173-F	Kitchen sink faucet – with 8-1/2" (21.6 cm) swing spout	<input type="checkbox"/> CP	<input type="checkbox"/> Other ____		
K-15173-FL	Kitchen sink faucet – with 10" (25.4 cm) swing spout			<input type="checkbox"/> CP	<input type="checkbox"/> Other ____
K-15173-FT	Kitchen sink faucet – with 10" (25.4 cm) swing spout	<input type="checkbox"/> CP	<input type="checkbox"/> Other ____		

Product Specification

The single-control kitchen sink faucet shall be of metal construction. Product shall have a maximum flow rate of 2.2 gallons (8.3 L) per minute with lower flow aerator options available (refer to the Kohler Price Book). Product shall feature a one-piece, self-contained ceramic disc valve, which allows both volume and temperature control. Product shall feature temperature memory, allowing the faucet to be turned on and off at any temperature setting. Product shall include a high-temperature limit setting for added safety. Product shall be available with an 8-1/2" (21.6 cm) or 10" (25.4 cm) spout reach. Product shall feature flexible supplies, ADA compliant loop or lever handle, and a matching finish sidespray through escutcheon. Faucet shall be Kohler Model K-15173____-____.

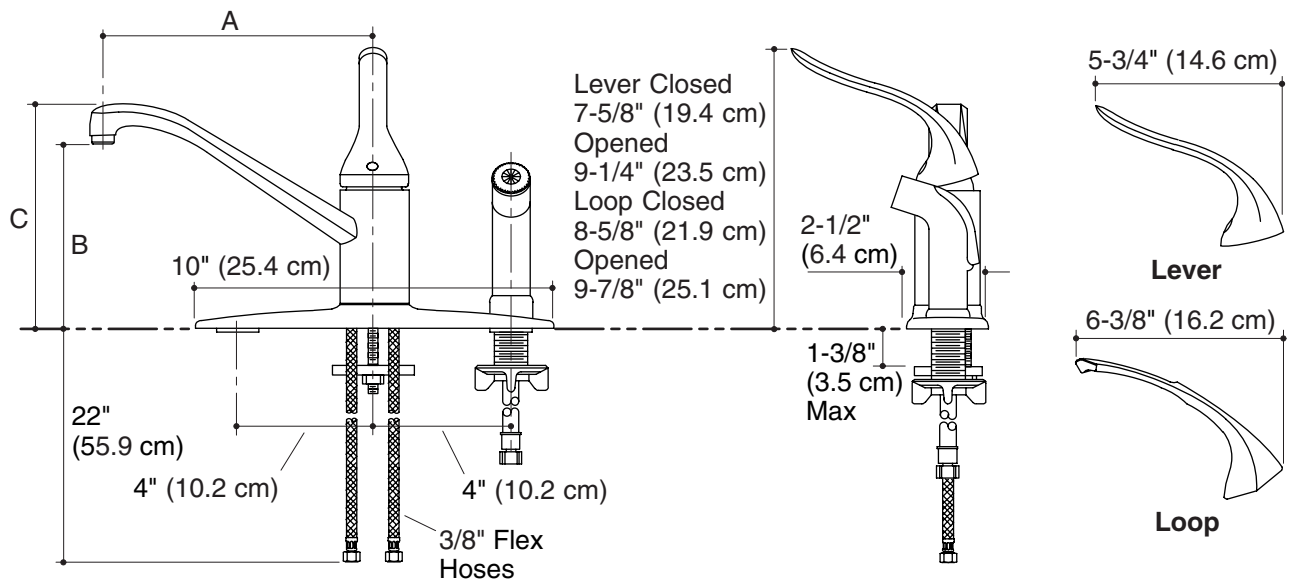
CORALAIS®

Optional Accessories

K-15179-A	12" (30.5 cm) swing spout and aerator	<input type="checkbox"/> CP	
1030920	Sidespray deep roughing-in kit		<input type="checkbox"/> NA

Installation Notes

Install this product according to the installation guide.



	A	B	C
K-15173-F	8-1/2" (21.6 cm)	6-7/8" (17.5 cm)	6-1/4" (15.9 cm)
K-15173-FT, K-15173-FL	10" (25.4 cm)	6-1/4" (15.9 cm)	7-1/4" (18.4 cm)

Product Diagram