

**BATH FAUCET TRIM
K-T398-4**

ALSO K-T413-4, K-RT398-4

ADA

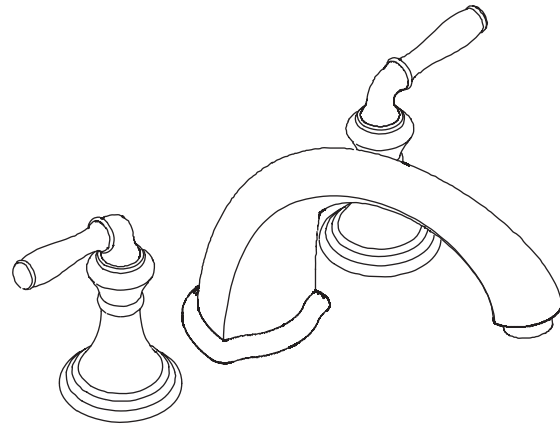
Features

- Brass construction
- Deck-mount
- Lever handle(s)
- 9" (22.9 cm) High-arch non-diverter spout with slip-fit connection

Codes/Standards Applicable

Specified model meets or exceeds the following:

- ASME A112.18.1
- CSA B125
- IAPMO/UPC

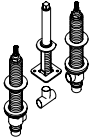
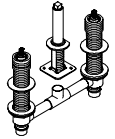
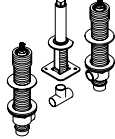


Colors/Finishes

- CP: Polished Chrome
- Other: Refer to Price Book for additional colors/finishes

Specified Model

Model	Description	<input type="checkbox"/> CP	<input type="checkbox"/> Other _____
K-T398-4	Lever Handles With Spout	<input type="checkbox"/> CP	<input type="checkbox"/> Other _____
K-RT398-4	Lever Handles With Spout	<input type="checkbox"/> CP	<input type="checkbox"/> Other _____
K-T413-4	Lever Handles	<input type="checkbox"/> CP	<input type="checkbox"/> Other _____

Required Accessory				
K-300-K	1/2" High-Flow Ceramic Disc Valve System	<input type="checkbox"/> NA		
K-300-KR	1/2" High-Flow Ceramic Disc Valve System, Rigid Connections		<input type="checkbox"/> NA	
K-301-K	3/4" High-Flow Ceramic Disc Valve System			<input type="checkbox"/> NA

Product Specification

Two-handle deck-mount high-flow bath faucet trim shall be of brass construction. Product shall include high-arch non-diverter 9" (22.9 cm) spout with slip-fit connection, and lever handles. Faucet trim shall be Kohler Model K-____-4-____ and valve system shall be Kohler Model K-____-____-NA.

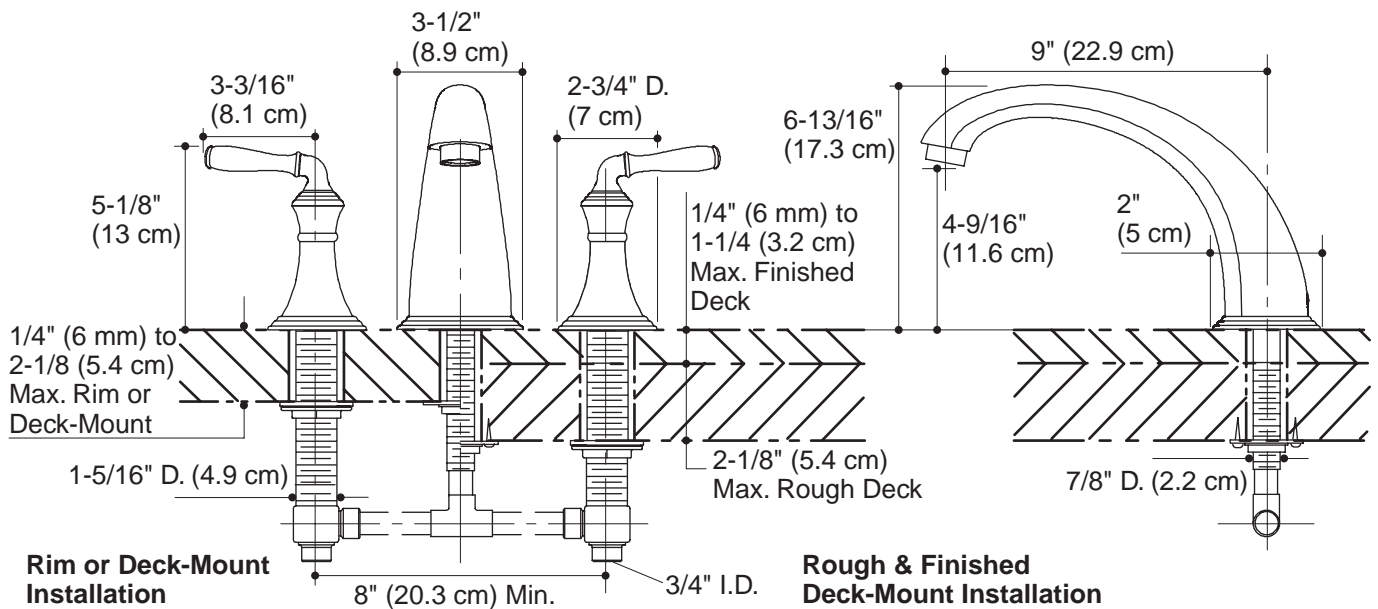
DEVONSHIRE®

Technical Information

Applicable faucet trim:		
Lever handles with spout	K-T398-4	
Lever handles with spout	K-RT398-4	
Valve trim with lever handles	K-T413-4	
Applicable valve:		
1/2" valve system	K-300-K-NA	not shown*
1/2" valve system with rigid connections	K-300-KR-NA	not shown*
3/4" valve system	K-301-K-NA	shown*
*Valve system required.		
Lever handles are ADA compliant		

Installation Notes

Install this product according to the installation guide.



Product Diagram