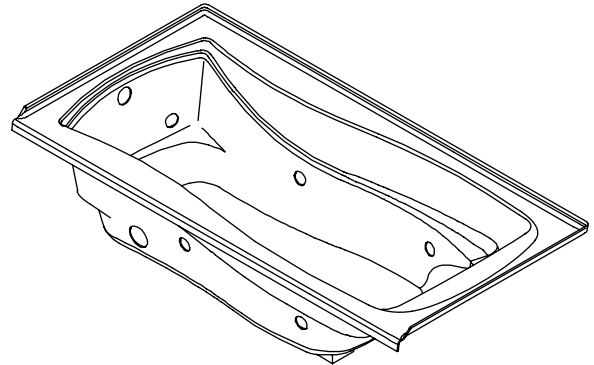


### Features

- Acrylic
- Left or right drain
- Pump with air switch and grounding-type plug-in cord
- 6 individually adjustable multi-directional hydro-massage jets
- Textured bottom surface
- Optional K-1283 removable apron
- Optional K-1491 removable bath pillow
- Drop-in [K-1257] or 3-side integral flange [K-1257-L, K-1257-R]
- 72" (182.9 cm) x 36" (91.4 cm) x 20" (50.8 cm)

### BATH WHIRLPOOL K-1257

ALSO K-1257-L, K-1257-R



### Codes/Standards Applicable

Specified model meets or exceeds the following:

- ANSI Z124.1.2
- ASME A112.19.7M
- UL 1795

### Colors/Finishes

- 0: White
- Other: Refer to Price Book for additional colors/finishes

### Accessories

- CP: Polished Chrome
- PB: Vibrant® Polished Brass
- Other: Refer to Price Book for additional colors/finishes

### Specified Model

Model	Description	Colors/Finishes	
K-1257	Bath whirlpool – drop-in	<input type="checkbox"/> 0	<input type="checkbox"/> Other _____
K-1257-L	Bath whirlpool – 3-side integral flange, left drain (shown)	<input type="checkbox"/> 0	<input type="checkbox"/> Other _____
K-1257-R	Bath whirlpool – 3-side integral flange, right drain	<input type="checkbox"/> 0	<input type="checkbox"/> Other _____

#### Recommended Accessories

K-7166-AF	Adjustable pop-up drain – above or through-the-floor installation	<input type="checkbox"/> CP	<input type="checkbox"/> PB	<input type="checkbox"/> Other _____
-----------	---	-----------------------------	-----------------------------	--------------------------------------

#### Optional Accessories

K-1283	Removable apron	<input type="checkbox"/> 0		<input type="checkbox"/> Other _____
K-1491	Removable bath pillow	<input type="checkbox"/> 0		<input type="checkbox"/> Other _____
K-9696	Jet trim kit – metal finishes		<input type="checkbox"/> CP <input type="checkbox"/> PB	<input type="checkbox"/> Other _____

### Product Specification

The acrylic bath whirlpool shall be 72" (182.9 cm) in length, 36" (91.4 cm) in width, and 20" (50.8 cm) in height. Product shall be drop-in [K-1257] or 3-side integral flange [K-1257-L, K-1257-R]. Product shall be left or right drain. Product shall feature 6 individually adjustable multi-directional hydro-massage jets, textured bottom surface, and pump with air switch and grounding-type plug-in cord. Product shall have an optional K-1283 removable apron, and an optional K-1491 removable pillow. Product shall be less all trim. Bath whirlpool shall be Kohler Model K-1257-\_\_\_\_ or K-1257-\_\_\_\_-\_\_\_\_.

# MARIPOSA®

## Technical Information

Fixture*:			
Bathing well:			
Basin area, bottom	50" (127 cm) x 24" (61 cm)		
Basin area, top	65" (165.1 cm) x 27" (68.6 cm)		
Weight	110 lbs (50 kg)		
To overflow:			
Water depth	14" (35.6 cm)		
Capacity	72 gal (272.5 L)		
* Approximate measurements for comparison only.			
Drop-in cut-out			
		70" (177.8 cm) x 34" (86.4 cm)	
Pump:			
	V	Hz	A
1-speed	120	60	7.5
Minimum access panel for pump/control			
20" (50.8 cm) W x 15" (38.1 cm) H		required	

## Required Electrical Service

Dedicated circuit required, protected with Class A Ground-Fault Circuit-Interrupter (GFCI):	
Pump/control	120 VAC, 15 A, 60 Hz
Locate the outlet behind the whirlpool and within 24" (61 cm) of the pump.	

## Installation Notes

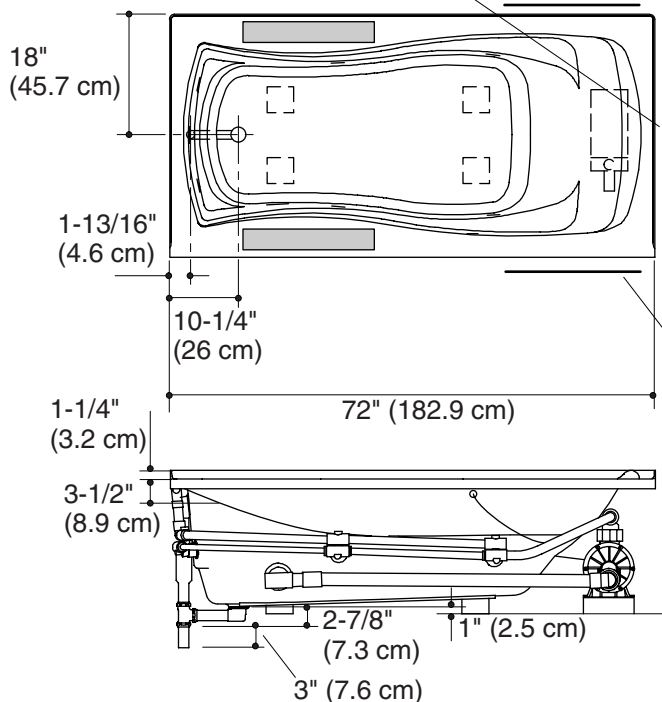
Install this product according to the installation guide.

Floor support under whirlpool must provide for a minimum of 41 lbs/square foot (200 kg/square meter) loading.

The apron must be installed before the finished floor and wall materials are installed.

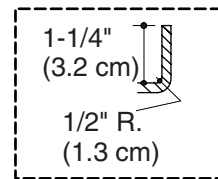
If installing a rim-mount faucet, make sure there is no interference with drain overflow and circulating system before drilling any holes. Consult local and national codes for minimum air gap requirements if installing a spout on the faucet deck.

Pump/Control Access (If Apron Is Not Used):  
20" (50.8 cm) W x 15" (38.1 cm) H

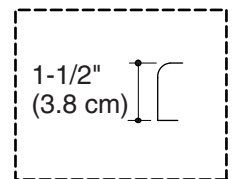


No change in measurements if connected with drain illustrated. (K-11677 or K-11677M)

Recommended Faucet Area

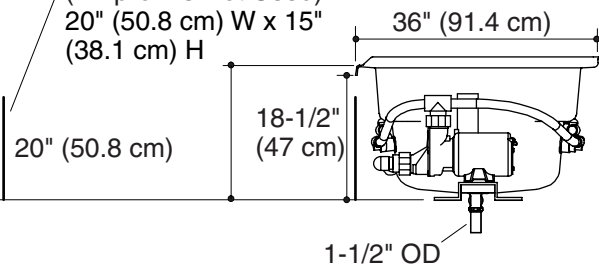


Integral Flange Detail



Drop-In Rim Detail

Pump/Control Access (If Apron Is Not Used):  
20" (50.8 cm) W x 15" (38.1 cm) H



## Product Diagram