

Features

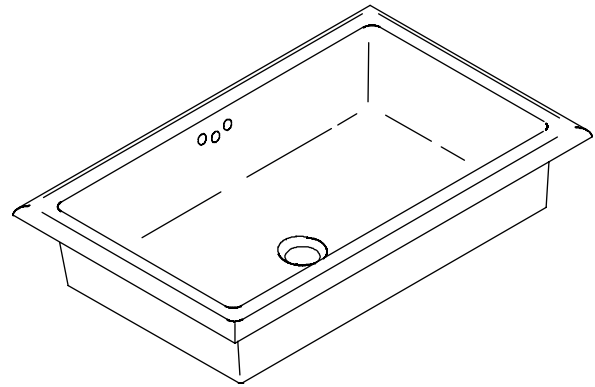
- Vitreous china
- Undercounter
- With overflow
- Includes 52047 clamp assembly
- With or without glazed underside
- 21" (53.3 cm) x 13" (33 cm)

UNDERCOUNTER LAVATORY K-2297

ADA

CSA B651

OBC



Codes/Standards Applicable

Specified model meets or exceeds the following:

- ADA
- ICC/ANSI A117.1
- CSA B651
- OBC
- ASME A112.19.2/CSA B45.1

Colors/Finishes

- 0: White
- Other: Refer to Price Book for additional colors/finishes

Accessories

- CP: Polished Chrome
- Other: Refer to Price Book for additional colors/finishes

Specified Model

Model	Description	Colors/Finishes	
K-2297	Undercounter lavatory	<input type="checkbox"/> 0	<input type="checkbox"/> Other_____
K-2297-G	Undercounter lavatory with glazed underside	<input type="checkbox"/> 0	<input type="checkbox"/> Other_____
Recommended Accessories			
K-8998	P-Trap	<input type="checkbox"/> CP	<input type="checkbox"/> Other_____

Product Specification

Lavatory shall be made of vitreous china. The undercounter lavatory shall be 21" (53.3 cm) in length and 13" (33 cm) in width. Lavatory shall have a glazed underside (K-2297-G) or without a glazed underside (K-2297). Lavatory shall have overflow, and shall include clamp assembly. Lavatory shall be Kohler Model K-2297-_____.

Technical Information

Fixture*:	
Basin area	21" (53.3 cm) x 13" (33 cm)
Water depth	3" (7.6 cm)
Drain hole	1-3/4" (4.4 cm) D.
* Approximate measurements for comparison only.	
Included components:	
Basin clamp assembly	52047
Cut-out template	1041454-7

Installation Notes

Install this product according to the installation guide.

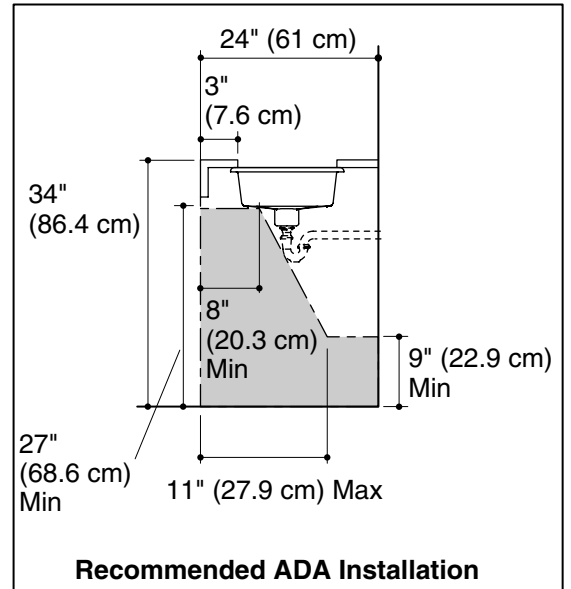
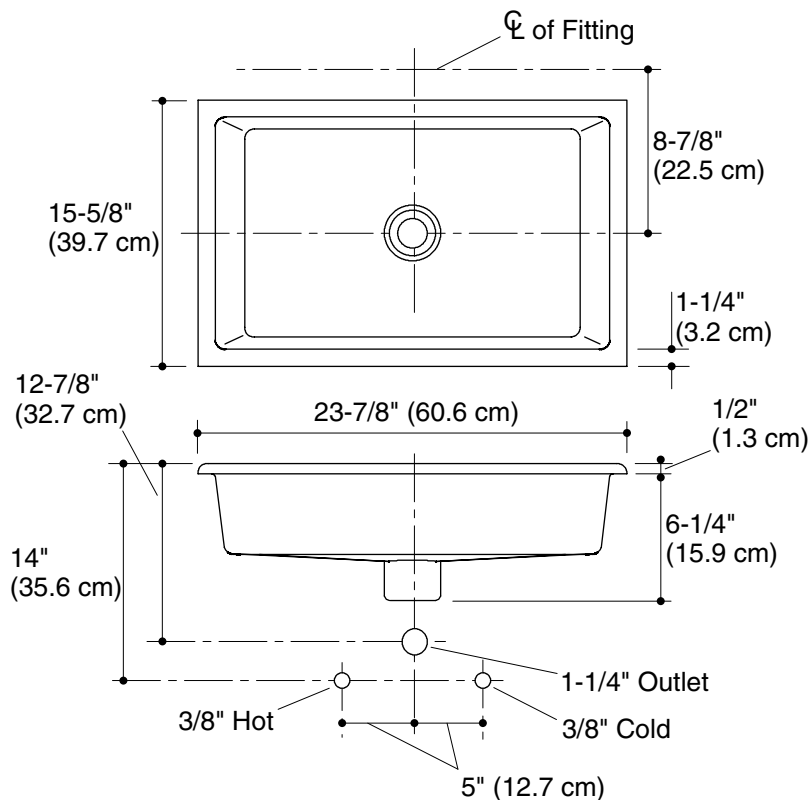
Select a faucet with a minimum spout reach of 4-5/8" (11.7 cm). Refer to the faucet rough-in dimensions to ensure the spout will reach over the lavatory rim into the basin.

NOTICE: Countertop manufacturer or cutter **must** use the cut-out template provided with the product, or a current one provided by Kohler Co. (call 1-800-4-KOHLER). Kohler Co. is not responsible for cutout errors when the incorrect cut-out template is used.

Will comply with **ADA** when installed per section 606 Lavatories of the Act.

Will comply with **CSA B651** when installed per Clause 4.3.3 of the standard.

Will comply with **OBC** when installed per Clause 3.8.3.11.



Product Diagram