

### UNDERCOUNTER SINK K-2330

ADA

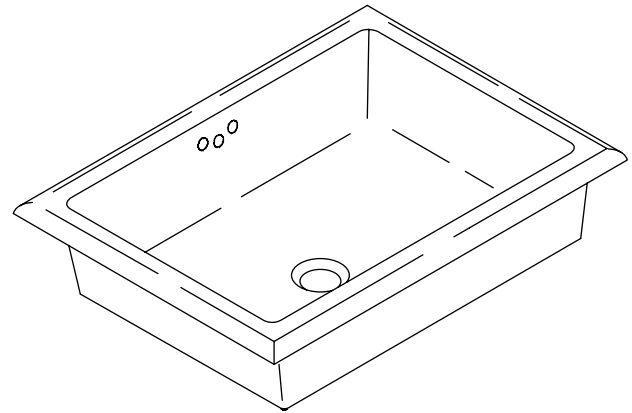
#### Features

- Vitreous china
- Undercounter
- With overflow
- Includes 52047 clamp assembly
- 17" (43.2 cm) x 13" (33 cm)

#### Codes/Standards Applicable

Specified model meets or exceeds the following:

- ADA
- ASME A112.19.2/CSA B45.1
- ICC/ANSI A117.1



#### Colors/Finishes

- 0: White
- Other: Refer to Price Book for additional colors/finishes

#### Specified Model

| Model    | Description                             | Colors/Finishes            |                                      |
|----------|---|----------------------------|--------------------------------------|
| K-2330   | Undercounter sink less glazed underside | <input type="checkbox"/> 0 | <input type="checkbox"/> Other _____ |
| K-2330-G | Undercounter sink with glazed underside | <input type="checkbox"/> 0 | <input type="checkbox"/> Other _____ |

#### Product Specification

The undercounter sink shall be made of vitreous china. Sink shall be 17" (43.2 cm) in length and 13" (33 cm) in width. Sink shall be available with overflow. Sink shall include 52047 clamp assembly. Sink shall be Kohler Model K-\_\_\_\_\_-\_\_\_\_.

# KATHRYN®

## Technical Information

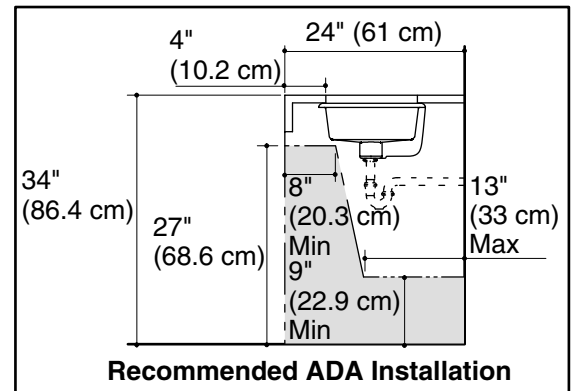
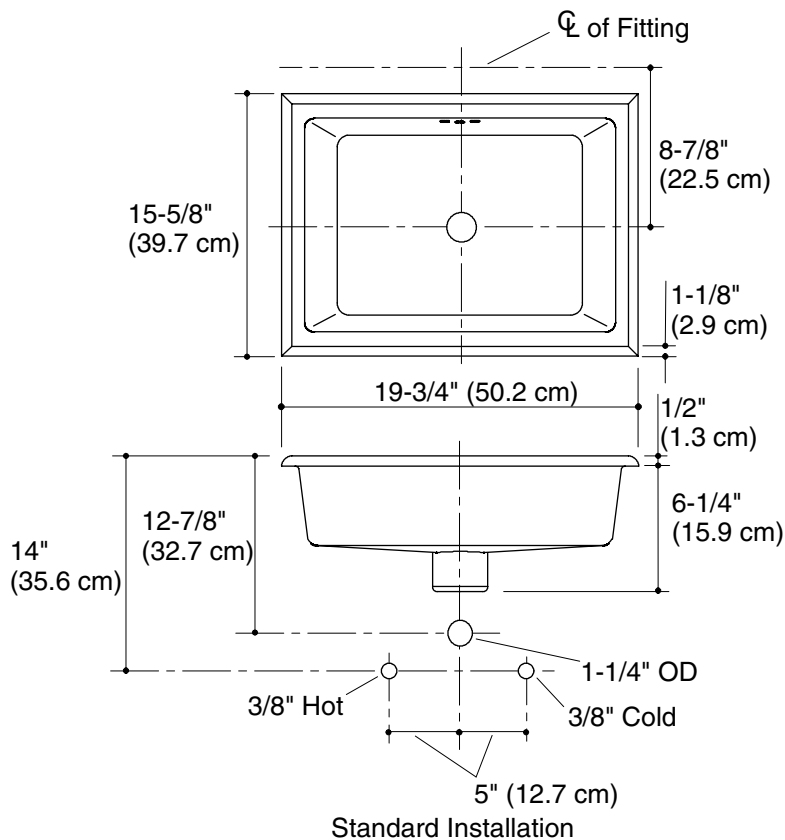
|   |                             |
|---|-----------------------------|
| Fixture*:                                       |                             |
| Basin area                                      | 17" (43.2 cm) x 13" (33 cm) |
| Water depth                                     | 3" (7.6 cm)                 |
| Drain hole                                      | 1-3/4" (4.4 cm) D.          |
| * Approximate measurements for comparison only. |                             |

|                      |           |
|----------------------|-----------|
| Included components: |           |
| Basin clamp assembly | 52047     |
| Cut-out template     | 1006809-7 |

## Installation Notes

Install this product according to the installation guide.

**NOTICE:** The countertop manufacturer or cutter **must** use the cut-out template provided with the product, or a current one provided by the Kohler Co. (Call 1-800-4-KOHLER.) Kohler Co. is not responsible for cut-out errors when the incorrect cut-out template is used.



## Product Diagram