

Features

- Vitreous china
- Undercounter
- Includes 52047 clamp assembly
- Available with KOHLER Artist Editions designs
- 17" (432 mm) x 14" (356 mm)

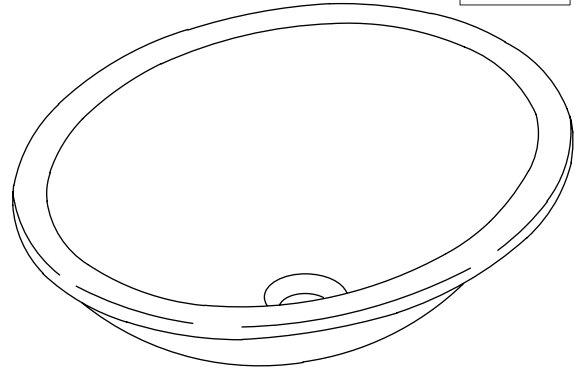
UNDERCOUNTER LAVATORY K-2205 ALSO K-14193, K-14195, K-14218

ADA

Codes/Standards Applicable

Specified model meets or exceeds the following:

- ASME A112.19.2/CSA B45.1
- ICC/ANSI A117.1
- ADA



Colors/Finishes

- 0: White
- Other: Refer to Price Book for additional colors/finishes

Accessories

- CP: Polished Chrome
- Other: Refer to Price Book for additional colors/finishes

Specified Model

Model	Description	Colors/Finishes	
K-2205	Undercounter lavatory	<input type="checkbox"/> 0	<input type="checkbox"/> Other _____
K-2205-G	Undercounter lavatory with glazed underside	<input type="checkbox"/> 0	<input type="checkbox"/> Other _____
K-14193	Undercounter lavatory – Artist Editions		<input type="checkbox"/> Other _____
K-14195	Undercounter lavatory – Artist Editions	<input type="checkbox"/> 0	
K-14218	Undercounter lavatory – Artist Editions		<input type="checkbox"/> Other _____
K-14390	Undercounter lavatory – Artist Editions		<input type="checkbox"/> Other _____

Recommended Accessories

K-9018	P-Trap	<input type="checkbox"/> CP	<input type="checkbox"/> Other _____
--------	--------	-----------------------------	--------------------------------------

Product Specification

The undercounter lavatory shall be made of vitreous china. Lavatory shall be 17" (432 mm) in length, and 14" (356 mm) in width. Lavatory shall include 52047 clamp assembly. Lavatory shall be available with Artist Editions designs. Lavatory shall be Kohler Model K-_____-_____.

CAXTON®

Technical Information

Fixture*:	
Basin area	17" (432 mm) x 14" (356 mm)
Water depth	6-3/8" (162 mm)
Drain hole	1-3/4" (44 mm) D.
*Approximate measurements for comparison only.	

Included components:	
Basin clamp assembly	52047
Cut-out template	1151011-7

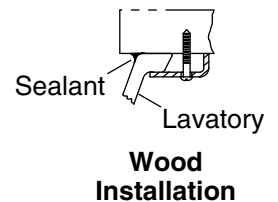
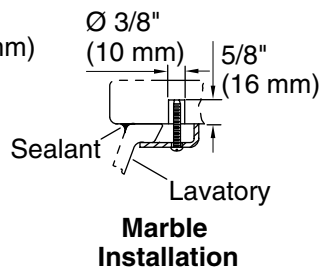
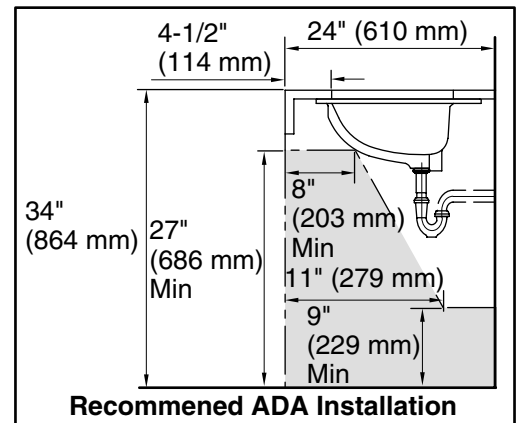
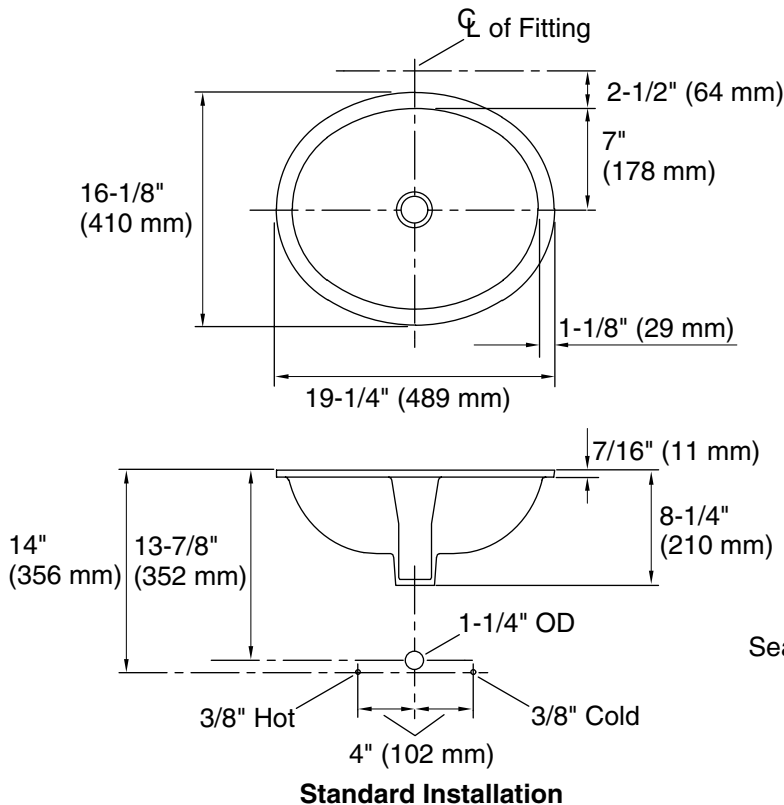
Installation Notes

Install this product according to the installation guide.

Supplied basin clamp assemblies require 1" (25 mm) minimum countertop thickness. Installer must supply anchors for thinner countertops.

NOTICE: Countertop manufacturer or cutter **must** use the cut-out template provided with the product, or a current one provided by Kohler Co. Call 1-800-4-KOHLER to order. Kohler Co. is not responsible for cutout errors when the incorrect cut-out template is used.

Will comply with **ADA** when installed per section 606 Lavatories of the Act.



Product Diagram