

# Installation Guide

## Heated Air Bath with Heated Surface

Retain serial number for reference:  
Conserver le numéro de série pour référence:  
Guarde el número de serie para  
referencia: \_\_\_\_\_  
Français, page "Français-1"  
Español, página "Español-1"

THE BOLD LOOK  
OF **KOHLER**®

1385106-2-B

# Installation Instructions



**WARNING:** When using electrical products, basic precautions should always be followed, including the following:



**WARNING: Risk of electric shock.** Connect all components to circuits protected by a Ground-Fault Circuit-Interrupter (GFCI)\*.

Building materials and wiring should be routed away from the blower body and other heat-producing components of the unit.

Install to permit access for servicing.

A pressure wire connector marked "Earth/Ground" is provided within the wiring compartment. To reduce the risk of electric shock, connect this connector to the grounding terminal of your electric service or supply panel with copper wire equivalent in size to the circuit conductor supplying this equipment.

A pressure wire connector is provided on the exterior of the pump or control within this unit to permit connection of a bonding conductor between this unit and all the other exposed metal in the vicinity, as needed to comply with local requirements.

**Grounding is required.** The unit should be installed by a qualified service representative, and grounded.



**WARNING: Risk of injury or property damage.** Please read all instructions thoroughly before beginning installation, including the following requirements.



**WARNING: Risk of electric shock.** A qualified electrician should make all electrical connections.



**WARNING: Risk of electric shock.** Disconnect power before servicing.

**NOTICE: Follow all local plumbing and electrical codes.** In Canada, install this unit in accordance with the Canadian Electrical Code, Part 1.

\*Outside North America, this device may be known as a Residual Current Device (RCD).

## Product Information

### Electrical Requirements



**WARNING: Risk of burns, fire, electric shock, or injury.** Do not operate the heated surface if the junction box power supply cord is damaged. For proper guidance to have this product repaired, please call: 1-800-4KOHLER from within the USA or Canada, or 001-800-456-4537 from within Mexico.

The installation must have **two** Class A Ground-Fault Circuit-Interrupter (GFCI). The GFCI protects against line-to-ground shock hazard. **Use a 120 V, 15 A, 60 Hz dedicated service for the blower. Use a separate 120 V, 15 A, 60 Hz dedicated service for the bubble heater.**

If the blower supply cord is damaged, it must be replaced by the manufacturer, its service agent, or similarly qualified persons in order to avoid a hazard.

### Product Notices

**IMPORTANT!** The recommended operating pressure for this system is 35-60 psi (241-414 kPa).

**NOTICE:** Keep the area around the blower clean and free of debris. Ensure that the area around the blower is free of sawdust, insulation, dirt, and other small loose debris. Such material can block the blower air ducts and reduce the air flow through the blower.

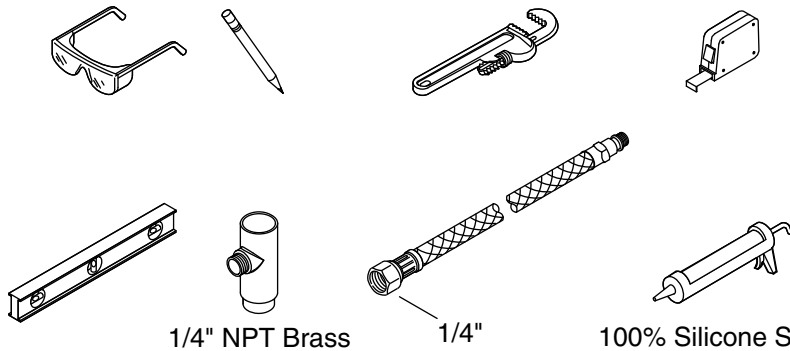
**NOTICE:** This product contains an automatic water purge mode that turns the blower on for 5 minutes after the unit is turned off and drained.

## Product Information (cont.)

### Features

Factory-installed components include a blower motor with power supply cord, air piping, check valve (some models), user keypad, and a heated surface with power supply cord, user keypad, and keypad cable. Other than electrical wiring and plumbing, no assembly is needed.

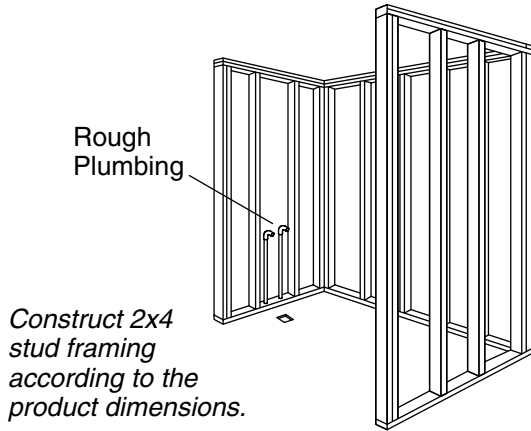
### Tools and Materials



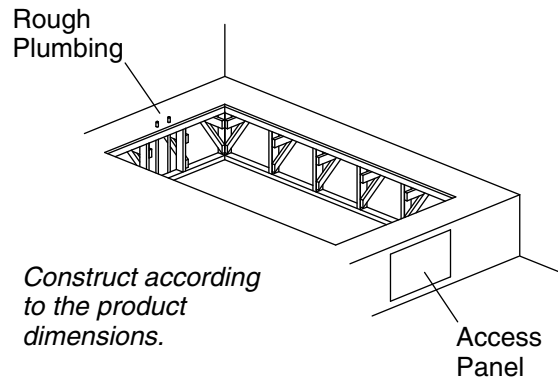
#### Plus:

- \* *Do not use gypsum cement.*
- Conventional Woodworking Tools and Materials
- Drop Cloth
- Construction Adhesive (Optional)
- Cement\* or Mortar (Optional)
- 2x4s
- Plastic Film (Optional)
- 1/8" (3 mm) Spacers

### Alcove



### Drop-In



## 1. Prepare the Site

**NOTICE:** Measure your product for site preparation. Note the **model number** located on the bath blower, then visit the product page at [kohler.com](http://kohler.com) for additional information.

**NOTICE:** Remote blower installation kit K-1446 is available for relocating the blower.

**NOTICE:** Provide generous, unrestricted access to the blower. You must provide access for servicing the blower. The access must be located immediately next to the blower.

**NOTICE:** Do not lift the bath by the piping or blower, or use the piping or blower for structural support of the bath. To avoid damage to the bath, lift by the rim at the sides of the bath.

**NOTICE:** Do not support the weight of the bath by the rim. Plan to shim under the bath as needed when leveling the bath.

**NOTICE:** Drop-in models are not intended for alcove installation. Use a flanged model for alcove installations.

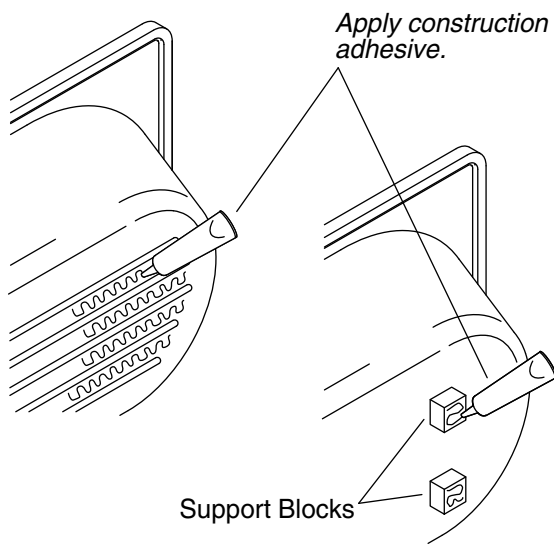
**NOTE:** Drop-in, alcove, or corner installation is possible, depending on the product chosen.

- Carefully unpack and inspect the new bath for damage before installation. If there is damage do not install the bath; contact your dealer.
- Make sure the flooring offers adequate support for your bath, and verify that the subfloor is flat and level.

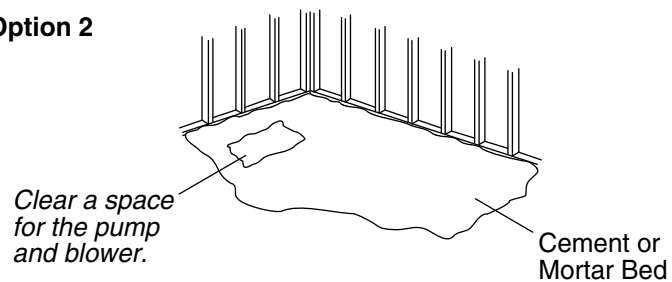
**NOTE:** For remote blower installations, refer to the installation instructions included with the remote blower installation kit before proceeding.

- Provide adequate ventilation and at least 15 cubic feet (.4 cubic meters) of open air space for cooling the motor and supplying sufficient air to the blower. Do not position the blower motor closer than 1" (25 mm) to the wall or other objects.
- Construct 2x4 stud framing.
- Install an access panel for future blower servicing. The access panel must be at least 30" (762 mm) wide by 15" (381 mm) high. Integrated apron models have access panels included in the apron designs.
- Install the rough plumbing.
- Install the drain to the bath according to the drain manufacturer's instructions.
- Protect the bath surface by positioning a clean drop cloth in the bowl bottom.

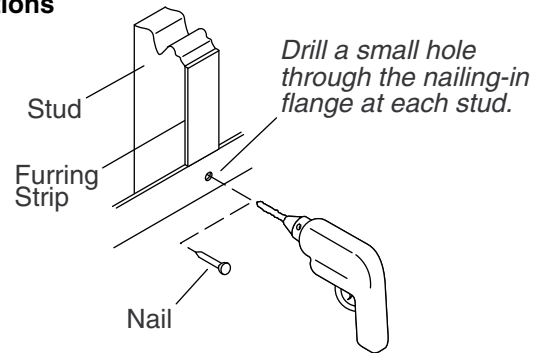
### Option 1



### Option 2



### Alcove Installations



## 2. Install the Bath

**IMPORTANT!** Use maximum 1/8" (3 mm) thick spacers under the bath rim to ensure that the rim does not contact the deck.

**NOTICE:** Do not lift the bath by the piping or blower, or use the piping or blower for structural support of the bath. To avoid damage to the bath, lift by the rim at the sides of the bath.

- If the subfloor is not level, shim under the bath as needed.

### Option 1: Install Using Construction Adhesive

**NOTE:** Some models come with support blocks; some models have molded supports.

- Apply a generous amount of high-quality construction adhesive to the bottom of the support blocks or molded supports. With help, carefully lift the bath into position.
- Apply weight to the bath bowl until the adhesive sets.

### Option 2: Using a Cement or Mortar Bed

**NOTE:** Do not use gypsum cement or drywall compound for this application, as they will not provide an acceptable, durable bond.

**NOTE:** Lay plastic film on wooden subfloors if desired to prevent water absorption.

**NOTE:** The blower must rest directly on the subfloor. The blower should not be in contact with mortar.

- Set the bowl area in 1" (25 mm) to 2" (51 mm) of mortar cement.
- Apply weight to the bath bowl until the mortar sets.

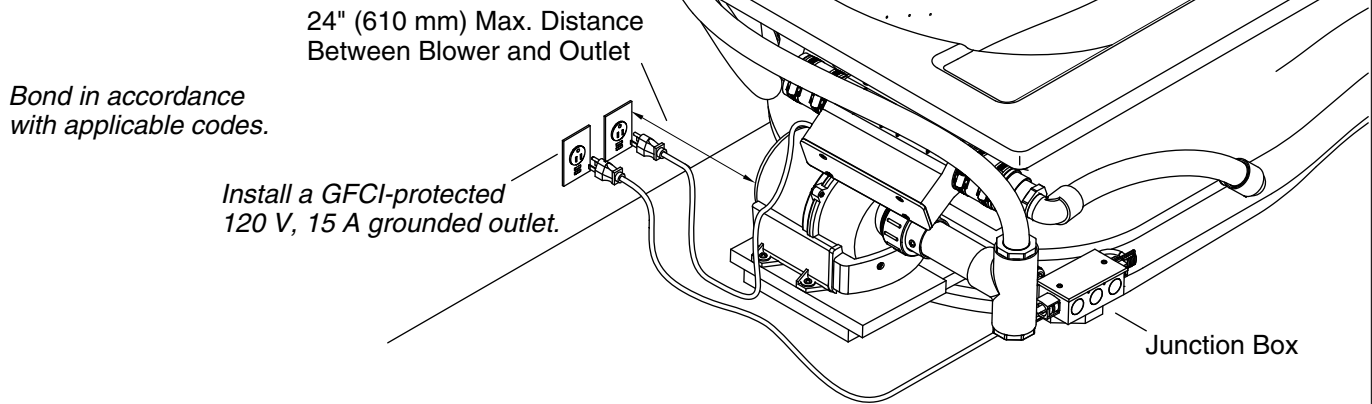
### Secure the Nailing-In Flanges (Alcove Units)

- Drill a small pilot hole through the nailing-in flange at each stud. Add shims as needed.
- Use large-head galvanized nails to secure the nailing-in flange to the studs.
- Nail furring strips to the studs.

## **Install the Bath (cont.)**

### **Install the Plumbing**

- Insert the drain tailpiece into the trapway. Secure the drain tailpiece to the trapway.
- Install the faucet valve.
- Check the drain connections for leakage.



### 3. Make the Electrical Connections



**DANGER: Risk of electric shock.** Connect the junction box, blower motor, and bubble heater to properly grounded, grounding-type receptacles protected by a Ground-Fault Circuit-Interrupter (GFCI)\*. Do not remove the grounding pins from the plugs. Do not use grounding adapters.

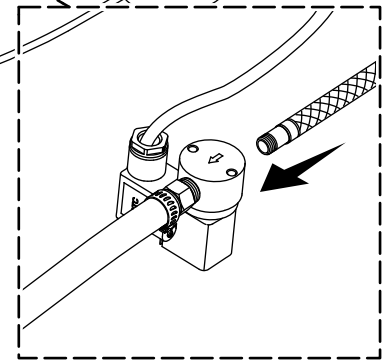
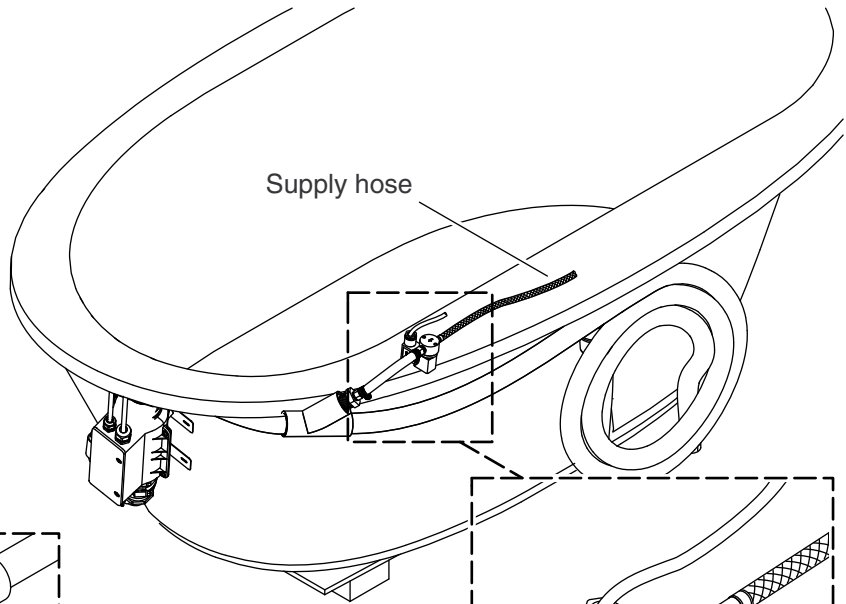
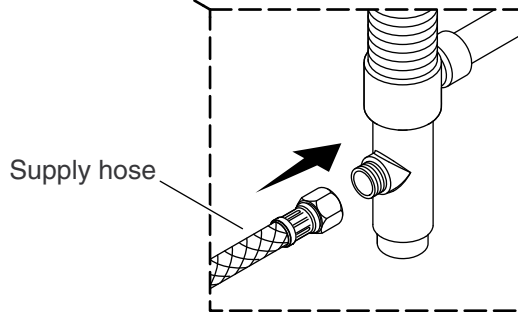
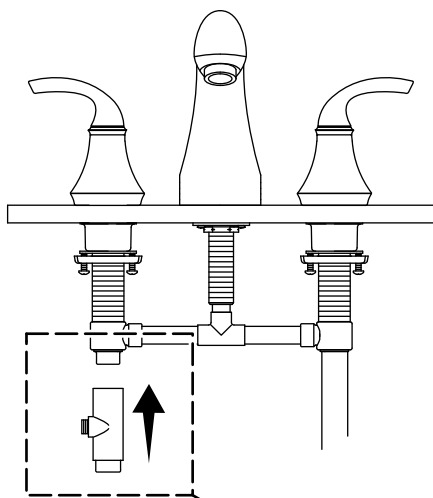


**WARNING: Risk of electric shock.** Make sure the power has been disconnected before performing the following procedures.

**NOTICE:** The blower/junction box and bubble heater are equipped with cords and plugs. A qualified electrician must install **two** GFCI\*-protected, 120 V, 15 A, grounded outlets. The blower/junction box must be on its own dedicated circuit (circuit #1). The bubble heater must be on its own dedicated circuit (circuit #2). No other loads should be on these circuits.

- Install two GFCI\*-protected electrical outlets within reach of the 24" (610 mm) power cords.
- Plug the blower/junction box cord into the outlet in circuit #1.

\*Outside North America, this device may be known as a Residual Current Device (RCD).



#### 4. Connect the Bubble Heater

- Install the tee (not supplied) to the hot water valve on the bath faucet.
  - Thread the supply hose (not supplied) onto the 1/4" NPT port of the tee.
  - Thread the opposite side of the supply hose into the 1/4" NPT port of the solenoid valve. **Do not kink the hoses.**
  - Plug the bubble heater cord into the remaining GFCI\*-protected electrical outlet on circuit #2.
- \*Outside North America, this device may be known as a Residual Current Device (RCD).

#### 5. Complete the Installation

##### Test Run the Bath

- Operate the heated surface user keypad to test the temperature settings.
- Fill the bath to a level at least 4" (102 mm) above the top of the highest airjet.
- Operate the bath for 5 minutes and check all bath piping connections for leaks. Check for leakage along the front, sides, and back of the bath.
- For additional information on bath and heated surface operation, see the "Operating Instructions - Heated Surface" and "Operating Instructions - Air Bath" sections.

##### Finish the Installation

**IMPORTANT!** Kohler Co. strongly recommends the use of 100% silicone sealant as instructed. Other sealants with high filler contents should be avoided, as they may shrink, separate, and peel over time



### Complete the Installation (cont.)

- Install water-resistant wallboard and all finished wall, deck, and floor materials.
- Apply a minimum 1/8" (3 mm) bead of 100% silicone sealant to seal all areas where the bath and finished wall or deck meet.
- Install the faucet trim.

### Clean-up After Installation

- When cleaning up after installation, **do not use abrasive cleansers**, as they may scratch and dull the bath surface. Use warm water and a liquid detergent to clean the surface of the bath.
- Remove stubborn stains or paint with turpentine or paint thinner. **Do not allow cleaners containing petroleum distillates to remain in contact with any bath surface for long periods of time.** Remove plaster by carefully scraping with a wood edge. Do not use metal scrapers, wire brushes, or other metal tools. Use a powder-type detergent on a damp cloth to provide mild abrasive action to any residual plaster.

## Important Safety Instructions

### READ AND FOLLOW ALL INSTRUCTIONS

### SAVE THESE INSTRUCTIONS

#### INSTRUCTIONS PERTAINING TO A RISK OF FIRE, ELECTRIC SHOCK, OR INJURY TO PERSONS



**WARNING:** When using electrical products, basic precautions should always be followed, including the following:



**DANGER:** Risk of accidental injury or drowning. To reduce the risk of injury, do not permit children to use this unit unless they are closely supervised at all times.



**WARNING:** Risk of personal injury. To avoid injury, exercise care when entering or exiting the bath.



**WARNING:** Risk of electric shock. Do not permit electric appliances (such as a hair dryer, lamp, telephone, radio, or television) within 5' (1.5 m) of this bath.



**WARNING:** The use of alcohol, drugs, or medication can greatly increase the risk of fatal hyperthermia. Prolonged immersion in hot water may induce hyperthermia. Hyperthermia occurs when the internal temperature of the body reaches a level several degrees above the normal body temperature of 98.6°F (37°C). The symptoms of hyperthermia include an increase in the internal temperature of the body, dizziness, lethargy, drowsiness, and fainting. The effects of hyperthermia include: (a) failure to perceive heat, (b) failure to recognize the need to exit the bath, (c) unawareness of impending hazard, (d) fetal damage in pregnant women, (e) physical inability to exit the bath, and (f) unconsciousness resulting in the danger of drowning.



**WARNING:** Risk of fetal injury. Pregnant or possibly pregnant women should consult a physician before using the bath.



**WARNING:** Risk of hyperthermia or drowning. Do not use the bath immediately following strenuous exercise.



**WARNING:** Risk of hyperthermia or drowning. Water temperature in excess of 100°F (38°C) may cause injury. Test and adjust the water temperature before use.

## Important Safety Instructions (cont.)



**WARNING: Risk of personal injury.** Never drop or insert any object into any opening.

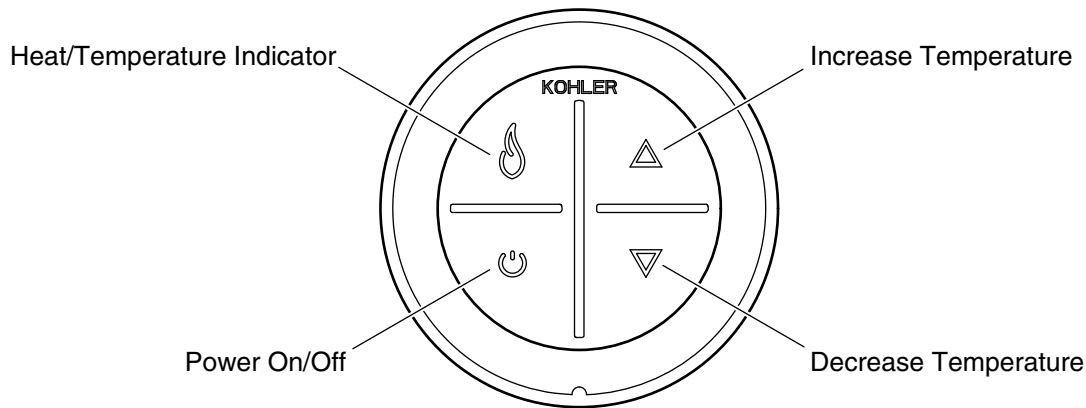
Use this bath only for its intended purpose as described in this guide. Do not use attachments not recommended by Kohler Co.

The bath must be connected only to a supply circuit that is protected by a Ground-Fault Circuit-Interrupter (GFCI)\*. Such a GFCI should be provided by the installer and should be tested on a routine basis. To test the GFCI, press the test button. The GFCI should interrupt power. Press the reset button. Power should be restored. If the GFCI fails to operate in this manner, the GFCI is defective. If the GFCI interrupts power to the bath without the test button being pressed, a ground current is flowing, indicating the possibility of an electric shock. Do not use this bath. Disconnect the bath and have the problem corrected by a qualified service representative before using.

Repeated use of personal care products containing oils can damage plastic whirlpool components. Avoid using bath oils.

Whirlpool hydro-massage action can cause even a small amount of bubble bath, bath soap, shampoo, or bath oil to foam excessively. For this reason, please do not use these products during whirlpool operation.

\*Outside North America, this device may be known as a Residual Current Device (RCD).



## Operating Instructions - Heated Surface

### Keypad Operation

- **Power Icon** - Turns the heater on and off.
- **Heat/Temperature Indicator** - The [Flame] icon illuminates yellow, orange, or red depending on the heat level. Yellow indicates low heat, orange indicates medium heat, and red indicates high heat.
- **Up Arrow** - Increases the temperature.
- **Down Arrow** - Decreases the temperature.

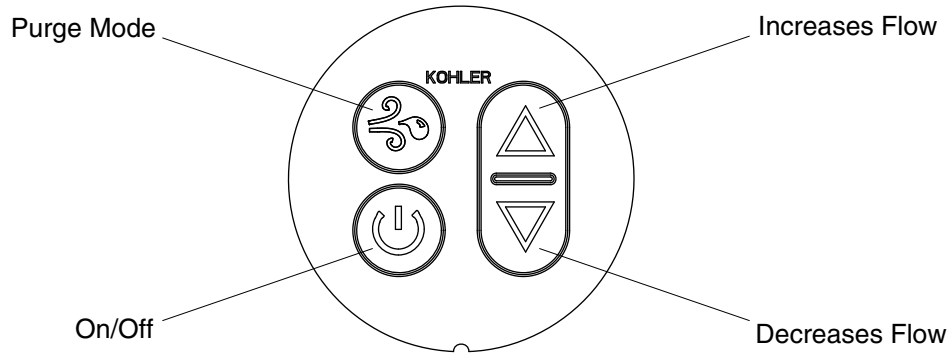
**NOTICE:** The heater will remain on until it is manually turned off by pressing the [Power] icon.

**NOTE:** After 60 minutes of inactivity, the heater will automatically reset to low heat if the temperature was set to medium or high.

**NOTE:** The heater will turn on at the last selected temperature setting.

### Confirm Heating System Operation

- Press the [Power] icon on the user keypad.
- Observe that the heat indicator turns yellow and the heater produces low heat.
- Press the [Up] arrow. Verify that the heat indicator turns orange and the temperature increases.
- Press the [Up] arrow a second time. Verify that the heat indicator turns red and the temperature increases.
- Press the [Down] arrow. Verify that the heat indicator turns orange and the temperature decreases.
- Press the [Down] arrow a second time. Verify that the heat indicator turns yellow and the temperature decreases.
- Press the [Power] icon to turn the heater off.



## Operating Instructions - Air Bath

**IMPORTANT!** This product contains an automatic water purge mode that turns the blower on for 5 minutes after the unit is turned off and drained.

**NOTE:** The water temperature in the bath should never exceed 104°F (40°C).

- Close the drain, then fill the bath at least 4" (102 mm) above the top of the highest airjet.
- Use your hand to test the water temperature for comfort and safety, then carefully enter the bath.
- Press the [On/Off] icon to turn the blower on at medium speed.
- Press the [Up] or [Down] arrow icons to increase or decrease the air flow.
- Press the [On/Off] icon a second time to turn off the blower.
- Carefully exit and drain the bath.

**NOTE:** After the bath drains below the water level sensor, a 5 minute purge mode will automatically start.

**NOTE:** If the bath does not function properly, refer to the "Troubleshooting" section.

## Care and Cleaning

- **Do not use powdered cleaners unless the cleaner is fully dissolved in water.** Solid substances could block the airjets.
- **Do not use full strength bleach or ammonia cleaning solutions.** Chemically active cleaning solutions can damage the bath surface.
- **Do not use abrasive cleansers or solvents on acrylic surfaces.** Abrasive cleaners and solvents can damage the bath surface.
- Wipe out your acrylic bath with a soft cloth after each use.
- Avoid detergents, disinfectants, or cleaning products in aerosol cans.

**NOTE:** To restore dull or scratched units: Apply white automotive polishing compound with a clean rag. Rub scratches and dull areas vigorously. Wipe off residue. Follow with a coat of white automotive paste wax. Do not wax areas where you walk or stand.

### Cleaning Your User Keypad and Remote Control

- Use a soft cloth to wipe the keypad and remote control after each use. If the surface becomes dirty, use a non-abrasive soap and warm water to clean.

## Care and Cleaning (cont.)

### Maintaining the Airjets

- If cleaning the airjets is required due to hard water deposits, use a small between-the-teeth dental brush and white vinegar. Dip the brush in the vinegar, brush the hole, rinse the brush in clean water, and then use the wet rinsed brush to rinse the hole.
- Fill the bath with water to the top row of airjets. Drain the bath.

For detailed cleaning information and products to consider, visit [www.kohler.com/clean](http://www.kohler.com/clean). To order Care & Cleaning information, call 1-800-456-4537.

## Troubleshooting

**NOTICE:** This section is for general aid only. A Kohler Co. Authorized Service Representative or qualified electrician should correct any electrical problems. For warranty service, call 1-800-4KOHLER from within the USA and Canada, or 001-800-456-4537 from within Mexico.

For service parts information, visit your product page at [kohler.com/serviceparts](http://kohler.com/serviceparts).

### Air Bath System

Symptoms	Probable Causes	Recommended Action
1. Blower turns on by itself after the bath has been drained.	A. Normal operation. Automatic purge mode is working as designed.	A. No action is required. Automatic purge mode runs for 5 minutes after the bath is drained.
2. Blower turns off by itself after running for 5 minutes.	A. The Purge Mode icon was pressed instead of the On/Off icon.	A. Press the On/Off icon on the keypad. See the air bath operating instructions section.
3. Blower motor will not start.	A. Power cord from blower motor is loose, disconnected, or damaged.	A. Check wiring for proper connections.
	B. User keypad cable loose or damaged.	B. Check wire connections. If necessary, replace user keypad cable.
	C. User keypad does not work.	C. Replace user keypad.
	D. Blower motor does not work.	D. Replace the blower motor.
4. Blower motor stops running and will not immediately restart.	A. Blower motor overheated and protection device activated.	A. Check for blockage at blower air intake. Remove blockage and allow motor to cool.
5. Blower motor starts, some but not all airjets are working.	A. Blower motor speed is too low.	A. Increase speed.
	B. Blower motor inlet is blocked.	B. Clean blower motor inlet.
	C. Blower motor does not work.	C. Replace the blower motor.
	D. Blower motor discharge is blocked.	D. Clear blockage.
	E. Airjets are clogged.	E. Use a small between-the-teeth dental brush and white vinegar. Dip the brush in the vinegar, brush the hole, rinse the brush in clean water, and then use the wet rinsed brush to rinse the hole.
6. Blower motor runs but no air bubbles are observed.	A. Blower motor inlet is blocked.	A. Clean blower motor inlet.
	B. Airjets are clogged.	B. Use a small between-the-teeth dental brush and white vinegar. Dip the brush in the vinegar, brush the hole, rinse the brush in clean water, and then use the wet rinsed brush to rinse the hole.
	C. Blower motor does not work.	C. Replace the blower motor.

<b>Troubleshooting (cont.)</b>		
<b>Symptoms</b>	<b>Probable Causes</b>	<b>Recommended Action</b>
7. Blower motor operates, air bubbles are observed, but speed feature does not work.	A. Blower motor inlet is blocked.	A. Clean blower motor inlet.
	B. Loose, disconnected, or damaged wiring harness.	B. Check wiring for proper connections. Replace the wiring harness if necessary.
	C. User keypad does not work.	C. Replace the user keypad.
	D. Blower motor does not work.	D. Replace the blower motor.
8. Blower motor does not turn off when the On/Off button is pressed.	A. User keypad does not work.	A. Replace the user keypad.
	B. Loose, disconnected, or damaged wiring harness.	B. Check wiring for proper connections. Replace the wiring harness if necessary.
	C. Control does not work.	C. Replace the control.
9. Purge mode does not work.	A. User keypad does not work.	A. Replace the user keypad.
	B. Control does not work.	B. Replace the control.
10. Bath does not purge automatically.	A. Blower does not work.	A. Replace the blower.
	B. Water level sensors faulty.	B. Replace the wires.
	C. Water level sensors run together.	C. Separate the wires so that they run along different sides of the bath.
<b>Heated Surface</b>		
<b>Symptoms</b>	<b>Probable Causes</b>	<b>Recommended Action</b>
11. Heated bath does not turn on.	A. No power to power supply.	A. Set/reset GFCI or RCD breaker; check wiring.
	B. User keypad cable loose or damaged.	B. Check wire connections. If necessary, replace user keypad cable.
	C. User keypad does not work.	C. Check wire connections. Replace user keypad.
	D. Power supply does not work.	D. Replace power supply.
12. Bath is turned on, but there is little or no heat.	A. Heater cable loose or damaged.	A. Check wire connections. If necessary, replace heater cable.
	B. Heater/insulation loose on the bath.	B. Secure the heater/insulation to the bath.
	C. Heat indicator is yellow or orange.	C. Press the [Up] arrow to increase temperature.
	D. Heater does not work.	D. Replace the heater.
	E. Temperature sensor does not work.	E. Replace the heater.
13. Temperature does not automatically reset to low after 1 hour.	A. Temperature sensor does not work.	A. Replace the heater and/or keypad.
14. Heat indicator is blinking red.	A. Heating system needs to be reset.	A. Press the [Power] icon to turn the power off. Wait 10 seconds, then turn the power on.
	B. Heater does not work.	B. Replace the heater.
15. Heat indicator is blinking yellow.	A. Heating system needs to be reset.	A. Press the [Power] icon to turn the power off. Wait 10 seconds, then turn the power on.
	B. Temperature sensor does not work.	B. Replace the heater.

# Guide d'installation

Baignoire à jets d'eau chauffée  
avec surface chauffée

# Instructions d'installation



**WARNING:** Lors de l'utilisation de produits électriques, toujours observer les précautions de base, dont les suivantes :



**WARNING: Risque de choc électrique.** Raccorder tous les composants à des circuits protégés par un disjoncteur de fuite de terre (GFCI).\*

Les matériaux de construction et le câblage doivent être acheminés loin du souffleur et des autres composants qui dégagent de la chaleur de l'appareil.

Installer de façon à permettre un accès pour l'entretien.

Un connecteur à pression pour câbles marqué « Earth/Ground » (Terre/Masse) est fourni dans le compartiment de câblage. Afin de réduire les risques de choc électrique, raccorder ce connecteur à une borne de terre du panneau de service électrique ou du panneau d'alimentation avec un câble en cuivre ayant la même dimension que le conducteur du circuit qui alimente cet équipement.

Un connecteur à pression pour câbles est fourni à l'extérieur de la pompe ou de la commande de cet appareil afin de permettre la connexion d'un conducteur de mise à la terre entre cet appareil et toutes les autres surfaces de métal avoisinantes, tel que requis par les réglementations locales.

**Une mise à la terre est requise.** L'ensemble doit être installé par un représentant qualifié et doit être mis à la terre.



**WARNING: Risque de blessures ou d'endommagement du matériel.** Toutes les instructions doivent être lues avec la plus grande attention avant de commencer l'installation, et toutes les conditions suivantes doivent être respectées.



**WARNING: Risque de choc électrique.** Un électricien qualifié doit effectuer toutes les connexions électriques.



**WARNING: Risque de choc électrique.** Déconnecter l'alimentation électrique avant d'effectuer un entretien.

**NOTICE: Respecter tous les codes de plomberie et électriques locaux.** Au Canada, installer cet ensemble conformément au Code canadien de l'électricité, Partie 1.

\*Hors de l'Amérique du Nord, ce dispositif peut être connu sous le nom de dispositif à courant résiduel (RCD).

## Renseignements sur le produit

### Installations électriques requises



**WARNING: Risque de brûlures, d'incendie, d'électrocution ou de blessures.** Ne pas faire fonctionner la surface chauffée de la boîte de jonction si le cordon d'alimentation est endommagé. Pour obtenir une assistance adéquate pour la réparation de ce produit, appeler : 1-800-4KOHLER à partir des É.-U. ou du Canada, ou le 001-800-456-4537 à partir du Mexique.

Cette installation doit être munie de **deux** disjoncteurs de fuite de terre (GFCI) de classe A. Le disjoncteur GFCI protège contre les risques d'électrocution de tension phase-terre. **Utiliser une alimentation de 120 V, 15 A, 60 Hz dédiée pour le souffleur. Utiliser une alimentation de 120 V, 15 A, 60 Hz dédiée et séparée pour le chauffe-bulles.**

Si le cordon d'alimentation du souffleur est endommagé, il doit être remplacé par le fabricant, son représentant ou des professionnels qualifiés dans ce domaine afin d'éviter tout danger.



## Renseignements sur le produit (cont.)

### Notices du produit

**IMPORTANT!** La pression de fonctionnement recommandée pour ce système est 35 à 60 psi (241 à 414 kPA).

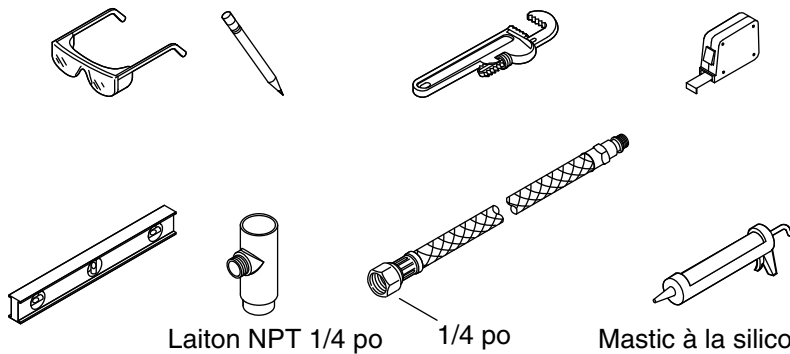
**NOTICE:** Garder l'espace autour du souffleur propre et exempt de débris. S'assurer que l'espace autour du souffleur est exempt de sciure, de matériau isolant, de saleté ou d'autres petits débris volatiles. De tels matériaux pourraient boucher les conduits d'air du souffleur et réduire le débit d'air à travers le souffleur.

**NOTICE:** Ce produit comprend un mode de purge d'eau automatique qui met le souffleur en marche pendant 5 minutes après l'arrêt et la vidange du dispositif.

### Fonctions

Les composants installés à l'usine incluent un moteur de souffleur avec un cordon d'alimentation électrique, une tuyauterie pneumatique, une soupape à clapet (certains modèles), un clavier utilisateur, et une surface chauffée avec un cordon d'alimentation électrique, un clavier utilisateur, et un câble de clavier. Aucun montage n'est nécessaire, sauf le câblage électrique et la plomberie.

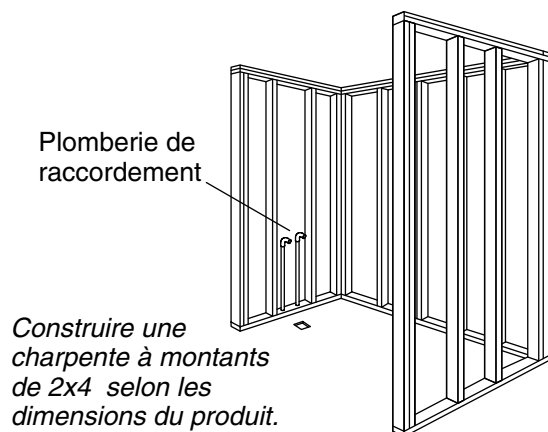
### Outils et matériel



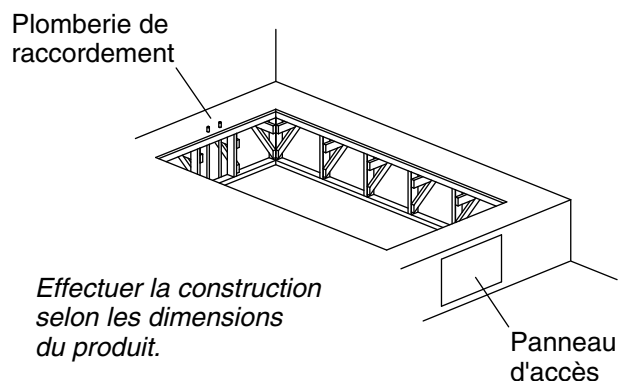
#### Plus :

- \* *Ne pas utiliser de plâtre dur.*
- Matériaux et outils à bois classiques
- Toile de protection
- Colle mastic (optionnelle)
- Ciment\* ou mortier (optionnel)
- Des 2x4
- Film plastique (optionnel)
- Espaceurs 1/8 po (3 mm)

### Alcôve



### À encastrer par le dessus



## 1. Préparer le site

**NOTICE:** Mesurer le produit pour la préparation du site. Noter le **numéro de modèle** se trouvant sur le souffleur de la baignoire, puis visiter la page du produit sur le site kohler.com pour obtenir de l'information supplémentaire.

**NOTICE:** Le kit K-1446 d'installation du souffleur à distance est disponible pour le changement de positionnement du souffleur.

**NOTICE:** Fournir un large espace non restreint pour pouvoir accéder au souffleur. Un accès doit être fourni pour l'entretien du souffleur. L'accès doit être situé juste à côté du souffleur

**NOTICE:** Ne pas soulever la baignoire par la tuyauterie ou le souffleur, et ne pas utiliser ceux-ci comme support structurel de la baignoire. Afin d'éviter tout endommagement de la baignoire, soulever celle-ci par le rebord, sur les côtés.

**NOTICE:** Ne pas supporter le poids de charge de la baignoire par le rebord. Prévoir de placer des cales sous la baignoire au besoin lors du nivellement de la baignoire.

**NOTICE:** Les modèles à encastrer par le dessus ne sont pas destinés à être installés en alcôve. Utiliser un modèle à bride pour les installations en alcôve.

**NOTE:** Une installation à encastrer par le dessus, en alcôve ou en coin est possible, selon le produit choisi.

- Déballer et examiner soigneusement la nouvelle baignoire afin d'y déceler tout dommage avant d'effectuer l'installation. Si des dommages sont notés, ne pas installer la baignoire; contacter le concessionnaire.
- S'assurer que le plancher offre un support adéquat pour la baignoire et vérifier que le sous-plancher est plat et nivelé.

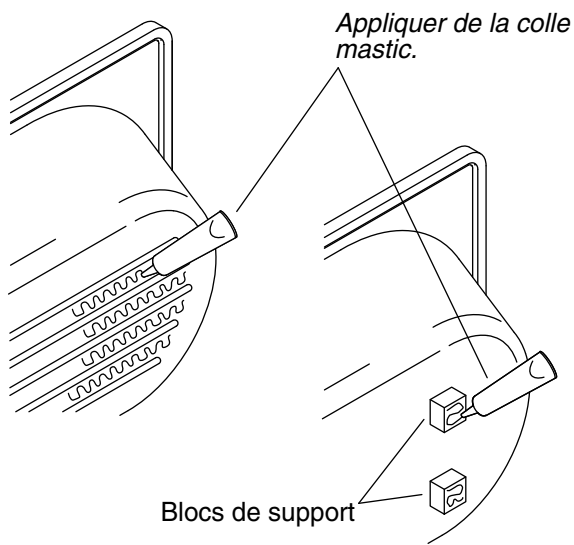
**NOTE:** Pour les installations à distance du souffleur, consulter les instructions d'installation accompagnant le kit d'installation du souffleur avant de continuer.

- Fournir une ventilation adéquate et 15 pieds cube (0,4 mètre cube) au moins d'espace d'air ouvert pour le refroidissement du moteur et pour fournir assez d'air au souffleur. Ne pas positionner le moteur du souffleur à une distance plus proche de 1 po (25 mm) du mur ou d'autres objets.
- Construire une charpente avec des montants de 2 x 4.
- Installer un panneau d'accès pour permettre un entretien futur de la pompe. Le panneau d'accès doit avoir une largeur de 30 po (762 mm) et une hauteur de 15 po (381 mm) au moins. Les panneaux d'accès sont inclus dans les conceptions des tabliers sur les modèles avec tabliers intégrés.
- Installer la tuyauterie de raccordement.

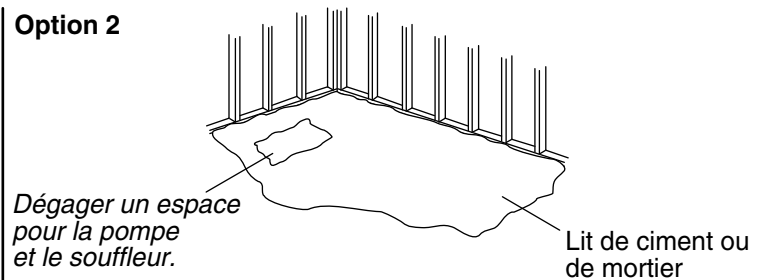
### **Préparer le site (cont.)**

- Installer le drain sur la baignoire conformément aux instructions du fabricant du drain.
- Protéger la surface de la baignoire en plaçant une toile de protection propre dans le fond de la cuve.

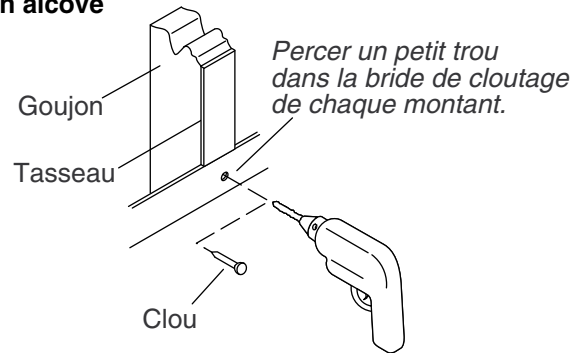
### Option 1



### Option 2



### Installations en alcôve



## 2. Installer la baignoire

**IMPORTANT!** Utiliser des espaceurs d'une épaisseur de 1/8 po (3 mm) au maximum sous le rebord de la baignoire pour assurer que le rebord n'entre pas en contact avec la plateforme.

**NOTICE:** Ne pas soulever la baignoire par la tuyauterie ou le souffleur, et ne pas utiliser ceux-ci comme support structurel de la baignoire. Afin d'éviter tout endommagement de la baignoire, soulever celle-ci par le rebord, sur les côtés.

- Si le sous-plancher n'est pas de niveau, placer des cales sous la baignoire, au besoin.

### Option 1 : Effectuer l'installation en utilisant de la colle mastic

**NOTE:** Certains modèles sont dotés de blocs de support; d'autres modèles ont des supports moulés.

- Appliquer une quantité suffisante de colle mastic de haute qualité sur la base des blocs de support ou des supports moulés. Avec de l'aide, lever la baignoire avec précaution et la positionner.
- Appliquer du poids sur la cuve de la baignoire jusqu'à ce que l'adhésif ait durci.

### Option 2 : Utilisation de lit de ciment ou de mortier

**NOTE:** Ne pas utiliser de plâtre dur ou un mélange pour cloison sèche pour cette application, car ces produits ne fournissent pas de scellement acceptable et durable.

**NOTE:** Poser un film en plastique sur les sous-planchers en bois au besoin afin de prévenir une absorption d'eau.

**NOTE:** Le souffleur doit s'appuyer directement sur le sous-plancher. Le souffleur ne doit pas entrer en contact avec le mortier.

- Placer la zone de la cuve dans 1 po (25 mm) à 2 po (51 mm) de ciment à maçonner.
- Appliquer du poids sur la cuve de la baignoire jusqu'à ce que le mortier durcisse.

### Fixer les brides de cloutage en place (dispositifs en alcôve)

- Percer un petit trou-pilote à travers la bride de cloutage de chaque montant. Utiliser des cales selon les besoins.

### **Installer la baignoire (cont.)**

- Utiliser des clous galvanisés à grande tête pour fixer la bride de cloutage sur les montants.
- Clouer les tasseaux sur les montants.

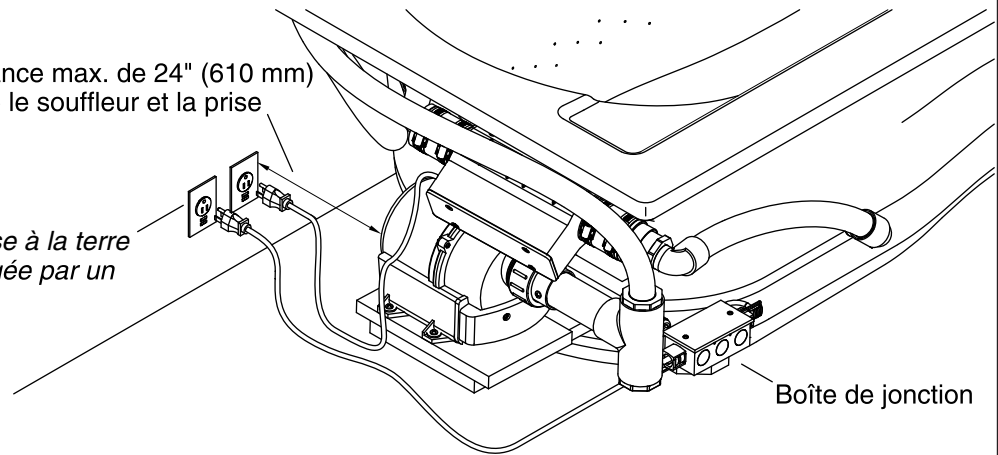
### **Installer la plomberie**

- Insérer l'about du drain dans le siphon. Sécuriser l'about du drain au siphon.
- Installer la vanne de robinet.
- Rechercher des fuites dans les connexions du drain.

Sceller en fonction des codes applicables.

Installer une prise mise à la terre de 120 V, 15 A protégée par un dispositif GFCI.

Distance max. de 24" (610 mm) entre le souffleur et la prise



Boîte de jonction

### 3. Effectuer les connexions électriques



**DANGER: Risque de choc électrique.** Raccorder la boîte de jonction, le moteur du souffleur et le chauffe-bulles à des prises de courant avec mise à la terre et mises à la terre de manière adéquate protégées par un disjoncteur de fuite de terre (GFCI)\*. Ne pas retirer les broches de mise à la terre des fiches. Ne pas utiliser des adaptateurs de mise à la terre.

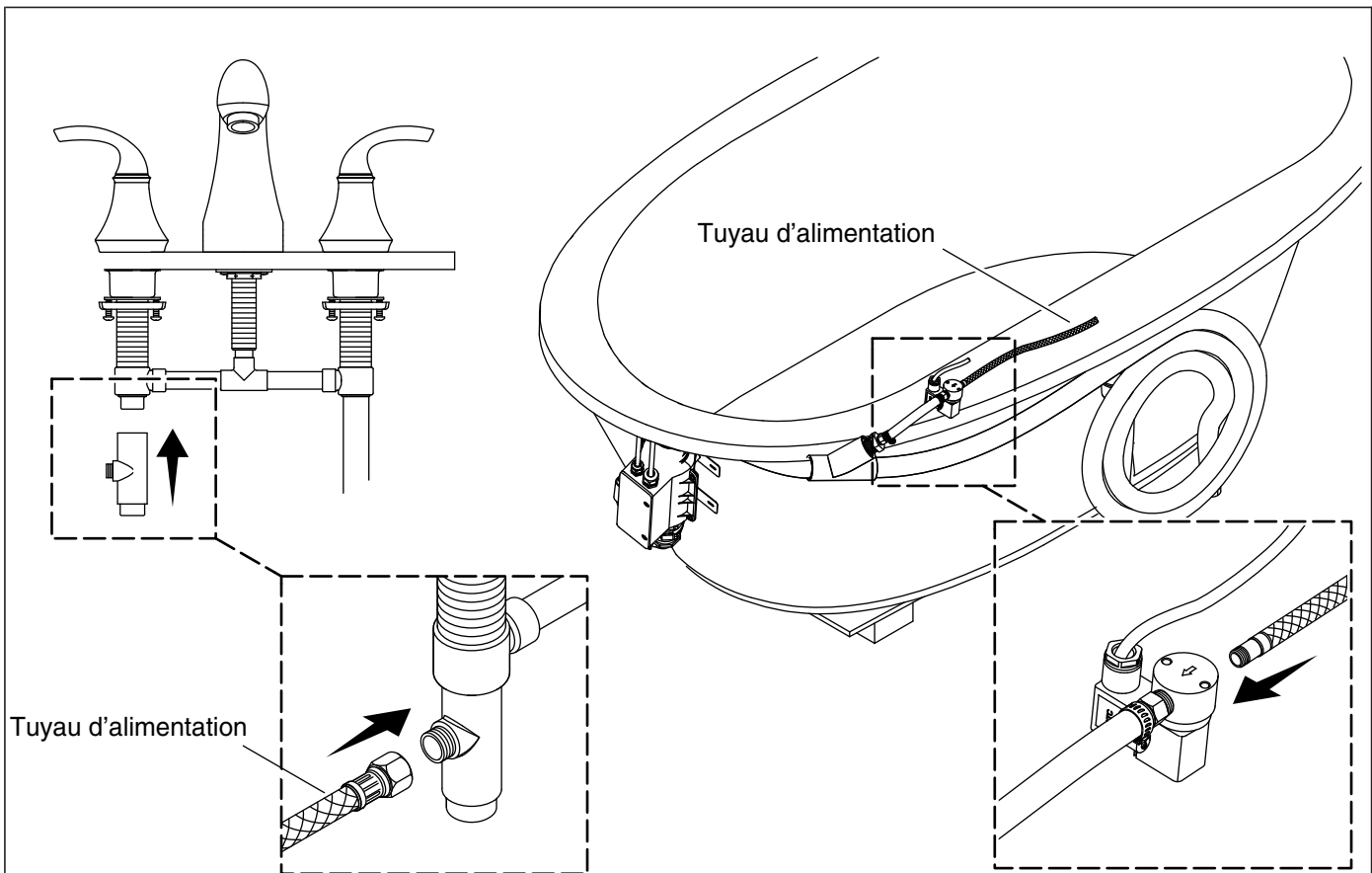


**WARNING: Risque de choc électrique.** S'assurer que l'alimentation électrique a été débranchée avant d'effectuer les procédures suivantes.

**NOTICE:** Le souffleur/la boîte de jonction et le chauffe-bulles sont munis de cordons et de prises. Un électricien qualifié doit installer **deux** prises de 120 V, 15 A mises à la terre et protégées par un disjoncteur de fuite de terre\*. Le souffleur/la boîte de jonction doit se trouver sur son propre circuit dédié (circuit n° 1). Le chauffe-bulles doit se trouver sur son propre circuit dédié (circuit n° 2). Aucune autre charge ne doit se trouver sur ces circuits.

- Installer deux prises électriques protégées par un dispositif GFCI\* à proximité des cordons d'alimentation de 24 po (610 mm).
- Brancher le cordon du souffleur/de la boîte de jonction dans la prise dans le circuit n° 1.

\*Hors de l'Amérique du Nord, ce dispositif peut être connu sous le nom de dispositif à courant résiduel (RCD).



#### 4. Connecter le chauffe-bulles

- Installer le té (non fourni) sur la vanne d'eau chaude sur le robinet de la baignoire.
- Enfiler le tuyau d'alimentation (non fourni) dans le port NPT de 1/4 po du té.
- Enfiler le côté opposé du tuyau d'alimentation dans le port NPT de 1/4 po de l'électrovanne. **Ne pas entortiller les tuyaux.**
- Brancher le cordon du chauffe-bulles dans la prise électrique restante protégée par un dispositif GFCI\* sur le circuit n° 2.

\*Hors de l'Amérique du Nord, ce dispositif peut être connu sous le nom de dispositif à courant résiduel (RCD).

#### 5. Terminer l'installation

##### Effectuer un essai de fonctionnement de la baignoire

- Faire fonctionner le clavier utilisateur de la surface chauffée pour tester les réglages de la température.
- Remplir la baignoire à un niveau d'eau se trouvant à au moins 4 po (102 mm) au-dessus du haut du jet d'air le plus élevé.
- Faire fonctionner la baignoire pendant 5 minutes et s'assurer qu'aucun des raccords des tuyaux de la baignoire ne présente de fuites. Rechercher des fuites le long de l'avant et des côtés de la baignoire, et à l'arrière de celle-ci.
- Pour obtenir de l'information supplémentaire sur le fonctionnement de la baignoire et de la surface chauffée, consulter les sections "Instructions d'utilisation - Surface chauffée et « Instructions d'utilisation - Baignoire à jets d'air ».

## Terminer l'installation (cont.)

### Finir l'installation

**IMPORTANT!** Kohler Co. recommande vivement d'utiliser du mastic d'étanchéité à la silicone à 100%, conformément aux instructions. D'autres mastics d'étanchéité contenant une quantité de matériau de remplissage plus élevée doivent être évités, car ils pourraient se rétrécir, se séparer, et peler au cours du temps

- Installer le panneau mural hydro-résistant, ainsi que tous les matériaux du mur fini, de la plateforme, et du plancher.
- Appliquer un boudin de 1/8 po (3 mm) minimum de mastic d'étanchéité à la silicone à 100% pour sceller toutes les zones où la baignoire et le mur fini entrent en contact.
- Installer la garniture de robinet.

### Nettoyer après l'installation

- Lors du nettoyage après l'installation, **ne pas utiliser de nettoyeurs abrasifs**, vu que ceux-ci risqueraient de rayer et d'abîmer la surface de la baignoire. Utiliser de l'eau chaude et un détergent liquide pour nettoyer la surface de la baignoire.
- Éliminer les taches résistantes ou la peinture avec de l'essence de térébenthine ou un diluant pour peinture. **Ne pas laisser de nettoyeurs à base de distillats de pétrole rester en contact avec une surface quelconque de la baignoire pendant de longues périodes.** Retirer le plâtre en raclant avec précaution avec une lame en bois. Ne pas utiliser des grattoirs en métal, des brosses métalliques ou d'autres outils en métal. Utiliser un détergent en poudre sur un chiffon humide pour fournir une action abrasive légère sur les résidus de plâtre.

# Instructions Importantes sur la sécurité

## LIRE ET SUIVRE TOUTES LES INSTRUCTIONS

## CONSERVER CES INSTRUCTIONS

### INSTRUCTIONS RELATIVES AUX RISQUES D'INCENDIE, DE CHOC ÉLECTRIQUE OU DE BLESSURES CORPORELLES



**WARNING:** Lors de l'utilisation de produits électriques, toujours observer les précautions de base, dont les suivantes :



**DANGER: Risque de blessures ou de noyade accidentelles.** Afin de réduire les risques de blessures, ne jamais permettre à un enfant d'utiliser cet appareil sans surveillance étroite, en tout temps.



**WARNING: Risque de blessures.** Pour éviter les blessures corporelles, entrer et sortir avec précaution de la baignoire.



**WARNING: Risque de choc électrique.** Ne pas amener les appareils électriques (tels que des sèche-cheveux, des lampes, des téléphones, des radios ou des télévisions) dans un rayon de 5 pi (1,5 m) de cette baignoire.



**WARNING: La consommation d'alcool, de drogues ou de médicaments peut augmenter considérablement le risque fatal d'hyperthermie.** Une immersion prolongée dans l'eau chaude peut provoquer une hyperthermie. Une hyperthermie a lieu lorsque la température corporelle interne atteint un niveau dépassant de plusieurs degrés la température corporelle normale de 98,6°F (37°C). Les symptômes d'hyperthermie comprennent une hausse de la température corporelle interne, les étourdissements, une léthargie, une somnolence et les évanouissements. Les effets de l'hyperthermie comprennent : (a) défaut de percevoir la chaleur, (b) défaut de s'apercevoir du besoin de sortir de la baignoire, (c) incapacité de reconnaître le danger imminent, (d) lésions au



## Instructions Importantes sur la sécurité (cont.)

fœtus dans le cas des femmes enceintes, (e) incapacité physique de sortir de la baignoire et (f) inconscience et danger conséquent de noyade.



**WARNING: Risque de préjudice corporel au fœtus.** Les femmes enceintes ou qui pourraient être enceintes doivent consulter un médecin avant d'utiliser la baignoire.



**WARNING: Risque d'hyperthermie ou de noyade.** Ne pas utiliser la baignoire immédiatement après des exercices physiques rigoureux.



**WARNING: Risque d'hyperthermie ou de noyade.** Une température d'eau supérieure à 100°F (38°C) peut causer des traumatismes. Vérifier et régler la température de l'eau avant utilisation.



**WARNING: Risque de blessures.** Ne jamais faire tomber ou insérer un objet quelconque dans les ouvertures.

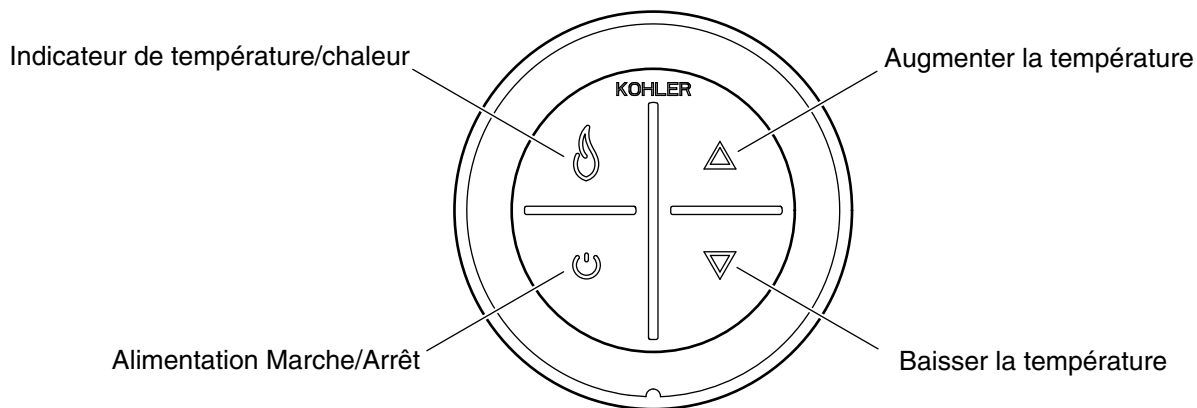
Utiliser cette baignoire uniquement aux fins décrites dans ce guide. Ne pas utiliser de dispositifs d'attache non recommandés par Kohler Co.

La baignoire doit être raccordée uniquement à un circuit d'alimentation qui est protégé par un disjoncteur de fuite de terre (GFCI)\*. L'installateur doit fournir un disjoncteur de fuite de terre de ce type et celui-ci doit être inspecté régulièrement. Pour inspecter le disjoncteur de fuite de terre, appuyer sur le bouton d'essai. Le disjoncteur de fuite de terre doit couper le courant. Appuyer sur le bouton de réinitialisation. L'alimentation devrait avoir été restaurée. Si le disjoncteur de fuite de terre ne fonctionne pas de cette manière, le disjoncteur est défectueux. Si le disjoncteur de fuite de terre interrompt l'alimentation de courant vers la baignoire sans que l'on ait appuyé sur le bouton d'essai, ceci indique qu'un courant à la terre est en train de circuler, et, par conséquent, la possibilité d'un choc électrique. Ne pas utiliser cette baignoire. Débrancher la baignoire et demander à un technicien qualifié de résoudre le problème avant d'utiliser celle-ci.

L'utilisation répétée de produits d'hygiène et de beauté contenant des huiles peut endommager les composants en plastique de la baignoire à hydromassage. Éviter d'utiliser des huiles de bain.

L'action de massage de la baignoire à hydromassage peut considérablement faire mousser les produits de bain moussant, le savon, les shampoings, ou les huiles pour le bain, même de petite quantité. Pour cette raison, veiller à ne pas utiliser ces produits pendant le fonctionnement de la baignoire à hydromassage.

\*Hors de l'Amérique du Nord, ce dispositif peut être connu sous le nom de dispositif à courant résiduel (RCD).



## Instructions d'utilisation - Surface chauffée

### Fonctionnement du clavier

- **Icône d'alimentation**  - Met le réchauffeur en marche et l'arrête.
- **Indicateur de température/chaleur**  - L'icône [Flamme] s'allume en jaune, en orange ou en rouge, en fonction du niveau de la chaleur. Le jaune indique une chaleur basse, l'orange indique une chaleur moyenne, et le rouge indique une chaleur élevée.
- **Flèche Vers le haut**  - Augmente la température.
- **Flèche Vers le bas**  - Abaisse la température.

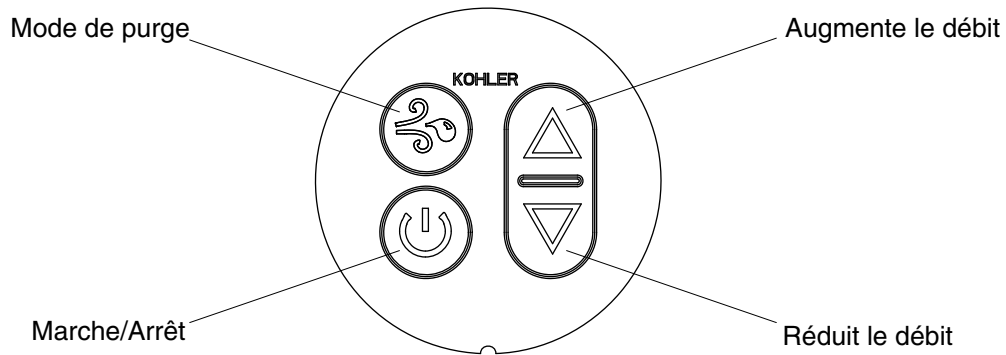
**NOTICE:** Le réchauffeur reste en marche jusqu'à ce qu'il soit arrêté manuellement, en appuyant sur l'icône [Alimentation].

**NOTE:** Au bout de 60 minutes d'inactivité, le réchauffeur se réinitialise automatiquement sur une chaleur basse si la température a été réglée au niveau moyen ou élevé.

**NOTE:** Le réchauffeur se met en marche avec la dernière température sélectionnée.

### Vérifier le fonctionnement du système de chauffage

- Appuyer sur l'icône [Alimentation] sur le clavier utilisateur.
- Observer que l'indicateur de chaleur devient jaune et que le réchauffeur fournit une chaleur basse.
- Appuyer sur la flèche [Vers le haut]. Vérifier que l'indicateur de chaleur devient orange et que la température augmente.
- Appuyer une deuxième fois sur la flèche [Vers le haut]. Vérifier que l'indicateur de chaleur devient rouge et que la température diminue.
- Appuyer sur la flèche [Vers le bas]. Vérifier que l'indicateur de chaleur devient orange et que la température diminue.
- Appuyer une deuxième fois sur la flèche [Vers le bas]. Vérifier que l'indicateur de chaleur devient jaune et que la température diminue.
- Appuyer sur l'icône [Alimentation] pour arrêter l'appareil de chauffage.



## Instructions d'utilisation - Baignoire à jets d'air

**IMPORTANT!** Ce produit comprend un mode de purge d'eau automatique qui met le souffleur en marche pendant 5 minutes après l'arrêt et la vidange du dispositif.

**NOTE:** La température de l'eau de la baignoire ne doit jamais dépasser 104°F (40°C).

- Fermer le drain, puis remplir la baignoire à au moins 4 po (102 mm) au-dessus du jet d'air le plus élevé.
- Utiliser la main pour tester la température de l'eau pour le confort et la sécurité, puis entrer doucement dans la baignoire.
- Appuyer sur l'icône [Marche/Arrêt] pour mettre le souffleur en marche à une vitesse moyenne.
- Appuyer sur les icônes de flèches [Vers le haut] ou [Vers le bas] pour augmenter ou diminuer le débit d'air.
- Appuyer une deuxième fois sur l'icône [Marche/Arrêt] pour arrêter le souffleur.
- Sortir de la baignoire avec précaution et vider celle-ci.

**NOTE:** Une fois que la baignoire se vide au-dessous du capteur de niveau d'eau, un mode de purge de 5 minutes démarre automatiquement.

**NOTE:** Si la baignoire ne fonctionne pas correctement, se référer à la section « Dépannage ».

## Entretien et nettoyage

- **Ne pas utiliser d'agents nettoyants en poudre, sauf si ceux-ci sont complètement dilués dans l'eau.** Des substances solides pourraient obstruer les jets d'air.
- **Ne pas utiliser de solutions de nettoyage avec eau de Javel ou ammoniacale à concentration intégrale.** Les solutions de nettoyage à agents chimiques actifs peuvent endommager la surface de la baignoire.
- **Ne pas utiliser de nettoyants abrasifs ou de solvants sur les surfaces acryliques.** Les produits nettoyants abrasifs et les solvants peuvent endommager la surface de la baignoire.
- Essuyer la baignoire en acrylique avec un tissu doux après chaque usage.
- Éviter les détergents, les désinfectants ou les produits de nettoyage en bombes aérosols.

**NOTE:** Pour réparer les dispositifs délustés ou rayés : Appliquer un produit à polir blanc pour automobiles avec un chiffon propre. Polir vigoureusement les rayures et les surface délustées. Essuyer les résidus. Passer ensuite une couche de cire en pâte blanche pour automobiles. Ne pas cirer les surfaces sur lesquelles l'on marche ou sur lesquelles l'on se tient debout.

## Entretien et nettoyage (cont.)

### Nettoyer le clavier utilisateur et la télécommande

- Utiliser un chiffon doux pour essuyer le clavier et la télécommande après chaque usage. Si la surface devient sale, utiliser un savon non-abrasif et de l'eau tiède pour le nettoyage.

### Maintenance des jets d'air

- Si le nettoyage des jets d'air s'avère nécessaire en raison de dépôts d'eau calcaire, utiliser une petite brosse de nettoyage entre les dents et du vinaigre blanc. Tremper la brosse dans le vinaigre, brosser l'orifice, rincer la brosse à l'eau propre, puis utiliser la brosse mouillée et rincée pour rincer l'orifice.
- Remplir la baignoire avec de l'eau jusqu'à la rangée supérieure des jets d'air. Vidanger la baignoire.

Pour obtenir des renseignements détaillés sur le nettoyage et les produits à considérer, consulter le site [www.kohler.com/clean](http://www.kohler.com/clean). Pour commander des renseignements sur le nettoyage, appeler le 1-800-456-4537.

## Dépannage

**NOTICE:** Cette section est seulement destinée à une aide d'ordre général. Un représentant du service agréé Kohler Co. ou un électricien qualifié doit rectifier tous les problèmes électriques. Pour un service de garantie, appeler le 1-800-4KOHLER à partir des É.-U. et du Canada, ou le 001-800-456-4537 à partir du Mexique.

Pour tout renseignement sur les pièces de rechange, visiter la page du produit sur le site [kohler.com/serviceparts](http://kohler.com/serviceparts).

### Système de baignoire à jets d'air

Symptômes	Causes probables	Action recommandée
1. Le souffleur se met en marche de lui-même lorsque la baignoire a été vidangée.	A. Fonctionnement normal. Le mode de purge automatique fonctionne tel que prévu.	A. Aucune action n'est requise. Le mode de purge automatique fonctionne pendant 5 minutes après la vidange de la baignoire.
2. Le souffleur s'arrête de lui-même après avoir fonctionné pendant 5 minutes.	A. On a appuyé sur l'icône Mode Purge au lieu de l'icône Marche/Arrêt.	A. Appuyer sur l'icône Marche/Arrêt sur le clavier utilisateur. Voir la section Instructions d'opération de la baignoire à jets d'air.
3. Le moteur du souffleur ne démarre pas.	A. Le cordon d'alimentation en provenance du moteur du souffleur est desserré, déconnecté ou endommagé.	A. Inspecter le câblage pour vérifier que les connexions sont adéquates.
	B. Câble du clavier utilisateur desserré ou endommagé.	B. Vérifier les connexions de fils. Si nécessaire, remplacer le câble du clavier utilisateur.
	C. Le clavier utilisateur ne fonctionne pas.	C. Remplacer le clavier utilisateur.
	D. Le moteur du souffleur ne fonctionne pas.	D. Remplacer le moteur du souffleur.
4. Le moteur du souffleur s'arrête de fonctionner et ne redémarre pas immédiatement.	A. Moteur de souffleur surchauffé et système de protection activé.	A. Rechercher une obstruction au niveau de l'orifice d'entrée d'air du souffleur. Éliminer l'obstruction et laisser le moteur refroidir.

<b>Dépannage (cont.)</b>		
<b>Symptômes</b>	<b>Causes probables</b>	<b>Action recommandée</b>
5. Le moteur du souffleur démarre, mais quelques jets d'air ne fonctionnent pas.	A. La vitesse du moteur du souffleur est trop basse.	A. Augmenter la vitesse.
	B. L'orifice d'entrée du moteur du souffleur est obstrué.	B. Nettoyer l'orifice d'entrée du moteur du souffleur.
	C. Le moteur du souffleur ne fonctionne pas.	C. Remplacer le moteur du souffleur.
	D. L'orifice de sortie du moteur du souffleur est obstrué.	D. Dégager l'obstruction.
	E. Les jets d'air sont bouchés.	E. Utiliser une petite brosse de nettoyage entre les dents et du vinaigre blanc. Tremper la brosse dans le vinaigre, brosser l'orifice, rincer la brosse à l'eau propre, puis utiliser la brosse mouillée et rincée pour rincer l'orifice.
6. Le moteur du souffleur fonctionne mais aucune bulle d'air n'est observée.	A. L'orifice d'entrée du moteur du souffleur est obstrué.	A. Nettoyer l'orifice d'entrée du moteur du souffleur.
	B. Les jets d'air sont bouchés.	B. Utiliser une petite brosse de nettoyage entre les dents et du vinaigre blanc. Tremper la brosse dans le vinaigre, brosser l'orifice, rincer la brosse à l'eau propre, puis utiliser la brosse mouillée et rincée pour rincer l'orifice.
	C. Le moteur du souffleur ne fonctionne pas.	C. Remplacer le moteur du souffleur.
7. Le moteur du souffleur fonctionne, des bulles d'air sont observées, mais la commande de vitesse ne fonctionne pas.	A. L'orifice d'entrée du moteur du souffleur est obstrué.	A. Nettoyer l'orifice d'entrée du moteur du souffleur.
	B. Le faisceau de câblage est desserré, déconnecté ou endommagé.	B. Inspecter le câblage pour vérifier que les connexions sont adéquates. Remplacer le faisceau de câblage si nécessaire.
	C. Le clavier utilisateur ne fonctionne pas.	C. Remplacer le clavier utilisateur.
	D. Le moteur du souffleur ne fonctionne pas.	D. Remplacer le moteur du souffleur.
8. Le moteur du souffleur ne s'arrête pas lorsque l'on appuie sur le bouton Marche/Arrêt.	A. Le clavier utilisateur ne fonctionne pas.	A. Remplacer le clavier utilisateur.
	B. Le faisceau de câblage est desserré, déconnecté ou endommagé.	B. Inspecter le câblage pour vérifier que les connexions sont adéquates. Remplacer le faisceau de câblage si nécessaire.
	C. La commande ne fonctionne pas.	C. Remplacer la commande.
9. Le mode de purge ne fonctionne pas.	A. Le clavier utilisateur ne fonctionne pas.	A. Remplacer le clavier utilisateur.
	B. La commande ne fonctionne pas.	B. Remplacer la commande.
10. La baignoire ne se purge pas automatiquement.	A. Le souffleur ne fonctionne pas.	A. Remplacer le souffleur.
	B. Les capteurs de niveau d'eau sont défectueux.	B. Remplacer les fils.
	C. Les capteurs de niveau d'eau fonctionnent ensemble.	C. Séparer les fils de manière à ce qu'ils soient acheminés le long de côtés différents de la baignoire.
<b>Surface chauffée</b>		

## Dépannage (cont.)

Symptômes	Causes probables	Action recommandée
11. La baignoire chauffée ne se met pas en marche.	A. Aucune alimentation pour la source d'alimentation électrique.	A. Armer/réarmer le disjoncteur GFCI ou RCD; inspecter le câblage.
	B. Câble du clavier utilisateur desserré ou endommagé.	B. Vérifier les connexions de fils. Si nécessaire, remplacer le câble du clavier utilisateur.
	C. Le clavier utilisateur ne fonctionne pas.	C. Vérifier les connexions de fils. Remplacer le clavier utilisateur.
	D. L'alimentation électrique ne fonctionne pas.	D. Remplacer l'alimentation électrique.
12. La baignoire est en marche, mais la chaleur est faible ou inexistante.	A. Câble de l'appareil de chauffage desserré ou endommagé.	A. Vérifier les connexions de fils. Si nécessaire, remplacer le câble de l'appareil de chauffage.
	B. Appareil de chauffage/matériau isolant desserré sur la baignoire.	B. Sécuriser l'appareil de chauffage/le matériau isolant sur la baignoire.
	C. L'indicateur de chaleur est jaune ou orange.	C. Appuyer sur la flèche [Vers le haut] pour augmenter la température.
	D. L'appareil de chauffage ne fonctionne pas.	D. Remplacer l'appareil de chauffage.
	E. La sonde de température ne fonctionne pas.	E. Remplacer l'appareil de chauffage.
13. La température ne se réinitialise pas automatiquement à une basse température au bout d'une heure.	A. La sonde de température ne fonctionne pas.	A. Remplacer l'appareil de chauffage et/ou le clavier.
14. L'indicateur de chaleur clignote en rouge.	A. Le système de chauffage doit être réinitialisé.	A. Appuyer sur l'icône [Alimentation] pour couper l'alimentation. Attendre 10 secondes, puis remettre l'appareil sous alimentation.
	B. L'appareil de chauffage ne fonctionne pas.	B. Remplacer l'appareil de chauffage.
15. L'indicateur de chaleur clignote en jaune.	A. Le système de chauffage doit être réinitialisé.	A. Appuyer sur l'icône [Alimentation] pour couper l'alimentation. Attendre 10 secondes, puis remettre l'appareil sous alimentation.
	B. La sonde de température ne fonctionne pas.	B. Remplacer l'appareil de chauffage.

# Guía de instalación

Bañera de aeromasaaje con calefacción  
con superficie de calefacción

# Instrucciones de instalación



**WARNING:** Al usar aparatos eléctricos siempre cumpla las precauciones básicas, como las siguientes:



**WARNING: Riesgo de sacudidas eléctricas.** Conecte todos los componentes a circuitos protegidos cada uno con un interruptor de circuito con pérdida a tierra (GFCI)\*.

El material de construcción y el cableado deben quedar alejados del cuerpo del motor soplador y de otros componentes que producen calor.

Instale de manera que quede acceso para dar servicio.

El compartimiento de cables incluye un conector a presión marcado "Earth/Ground" (tierra). Para reducir el riesgo de que se produzca una sacudida eléctrica, conecte este conector al terminal de tierra de su tablero eléctrico o al panel de suministro eléctrico con un cable de cobre del tamaño equivalente al conductor del circuito que alimenta este equipo.

En el exterior de la bomba o del control de esta unidad se incluye un conector a presión para permitir la conexión de un conductor equipotencial entre esta unidad y el metal expuesto en las proximidades, tal y como lo requieran las normas locales.

**Se requiere conexión a tierra.** Un representante autorizado de servicio debe instalar esta unidad y conectarla a tierra.



**WARNING: Riesgo de lesiones personales o de daños a la propiedad.** Antes de comenzar la instalación, lea atentamente todas las instrucciones además de los requisitos detallados a continuación.



**WARNING: Riesgo de sacudidas eléctricas.** Todas las conexiones eléctricas debe hacerlas un electricista capacitado.



**WARNING: Riesgo de sacudidas eléctricas.** Desconecte el suministro eléctrico antes de dar servicio.

**NOTICE: Cumpla todos los códigos locales de electricidad y de plomería.** En Canadá, instale la unidad conforme al Código Eléctrico Canadiense, Parte 1.

\*Fuera de Estados Unidos es posible que este dispositivo se conozca como dispositivo de corriente residual (RCD).

## Información sobre el producto

### Requisitos eléctricos



**WARNING: Riesgo de quemaduras, incendio, sacudida eléctrica o lesiones personales.** No haga funcionar la superficie de calefacción si el cable de suministro eléctrico de la caja de empalmes está dañado. Para obtener asesoría sobre la reparación de este producto, llame al: 1-800-4KOHLER desde EE.UU. o Canadá, o al 001-800-456-4537 desde México.

La instalación debe contar con 2 interruptores de circuito con pérdida a tierra (GFCI) Clase A. El interruptor GFCI protege contra el peligro de sacudida eléctrica de línea a tierra. **Utilice un servicio dedicado de 120 V, 15 A y 60 Hz para el motor soplador. Utilice un servicio independiente dedicado de 120 V, 15 A y 60 Hz para el calentador de burbujas.**

Si el cable de suministro eléctrico del motor soplador está dañado, debe ser reemplazado por el fabricante, por su agente de servicio o por personas igualmente capacitadas, para así evitar una situación peligrosa.



## Información sobre el producto (cont.)

### Avisos sobre el producto

**IMPORTANT!** La presión de funcionamiento recomendada para este sistema va de 35 a 60 psi (241 a 414 kPA).

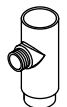
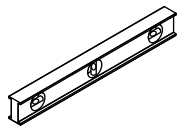
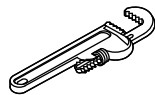
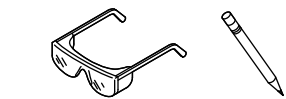
**NOTICE:** Mantenga limpia y sin desperdicios el área alrededor del motor soplador. Asegúrese de que en el área alrededor del motor soplador no haya aserrín, material aislante, suciedad ni otras partículas sueltas pequeñas. Dichos materiales pueden tapan los conductos de aire del motor soplador y reducir el flujo de aire a través del mismo.

**NOTICE:** Este producto tiene un modo de purga automática de agua que enciende el motor soplador durante 5 minutos después de apagar y vaciar la unidad.

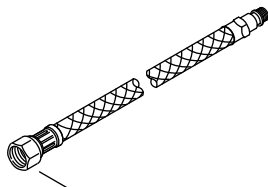
### Características

Los componentes instalados en fábrica incluyen un motor soplador con cable de suministro eléctrico, tubería de aire, una válvula de retención (algunos modelos), un teclado del usuario, y una superficie de calefacción con cable de suministro eléctrico, teclado del usuario y cable para el teclado. Además del cableado eléctrico y de la instalación de plomería, no es necesario realizar ningún otro tipo de ensamblaje.

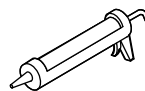
### Herramientas y materiales



T de latón de  
1/4" NPT



1/4"



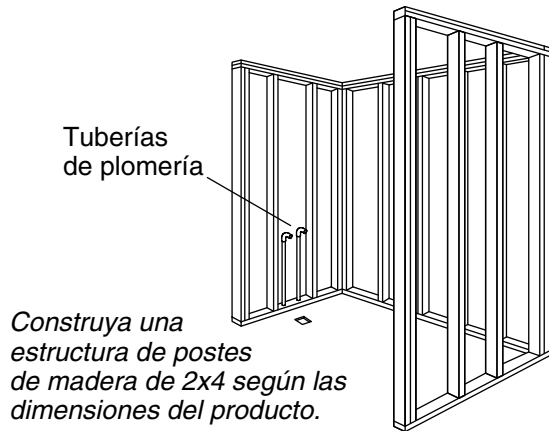
Sellador 100% de silicona

#### Más:

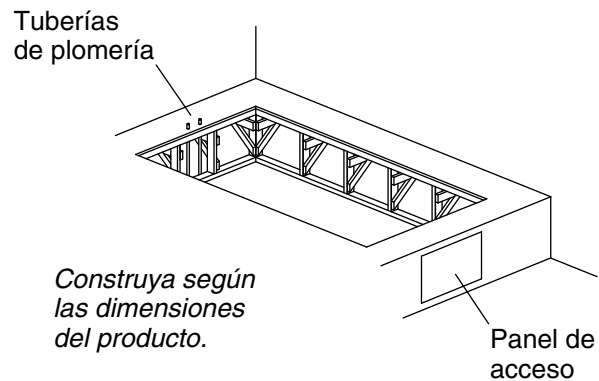
\* *No utilice cemento de yeso.*

- Herramientas y materiales convencionales de carpintería
- Lona
- Adhesivo de construcción (opcional)
- Cemento\* o mortero (opcional)
- Maderos de 2x4
- Película plástica (opcional)
- Espaciadores de 1/8" (3 mm)

### Encajonado entre tres paredes



### De sobreponer



## 1. Prepare el sitio

**NOTICE:** Mida su producto para preparar el lugar. Fíjese en el **número de modelo** ubicado en el motor soplador de la bañera, y obtenga información adicional en la página del producto en kohler.com.

**NOTICE:** Para cambiar la ubicación del motor soplador, hay disponible un kit de instalación remota del motor soplador K-1446.

**NOTICE: Provea amplio acceso sin restricciones al motor soplador.** Se debe dejar acceso para dar servicio al motor soplador. El acceso debe quedar justo al lado del motor soplador.

**NOTICE:** No levante la bañera por los tubos ni por el motor soplador, ni los utilice como soporte estructural de la bañera. Para evitar daños a la bañera, levántela por el reborde a los lados de la bañera.

**NOTICE:** No apoye el peso de la bañera sobre el reborde. Planee instalar cuñas bajo la bañera cuando sea necesario para nivelarla.

**NOTICE:** Los modelos de sobreponer no están diseñados para instalaciones encajonadas entre tres paredes. Utilice un modelo con pestañas para instalaciones encajonadas entre tres paredes.

**NOTE:** De acuerdo al producto elegido es posible realizar una instalación de sobreponer, encajonada o en esquina.

Antes de la instalación, saque las piezas de la caja y revise que la bañera nueva no presente daños. Si la bañera presenta daños, no la instale; comuníquese con su distribuidor.

Verifique que el piso proporcione el soporte adecuado para su bañera, y que el subpiso esté plano y nivelado.

**NOTE:** En instalaciones de motor soplador remoto, antes de continuar consulte las instrucciones de instalación que se incluyen con el kit de instalación del motor soplador remoto.

Proporcione la ventilación adecuada y un espacio de aire libre mínimo de 15 pies cúbicos (0,4 metros cúbicos) para enfriamiento del motor y para suministrar suficiente aire al motor soplador. No coloque el motor soplador a menos de 1" (25 mm) de distancia de la pared o de otros objetos.

Construya una estructura de postes de madera de 2x4.

Instale un panel de acceso para dar servicio al motor soplador en el futuro. Este panel de acceso debe tener por lo menos 30" (762 mm) de ancho y 15" (381 mm) de alto. Los modelos con faldón integrado tienen paneles de acceso incluidos en los diseños de faldón.

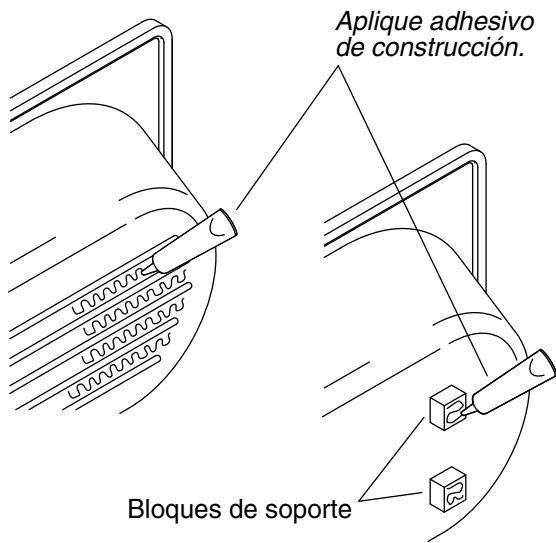
Instale el tendido de plomería.

Instale el desagüe en la bañera de acuerdo a las instrucciones del fabricante del desagüe.

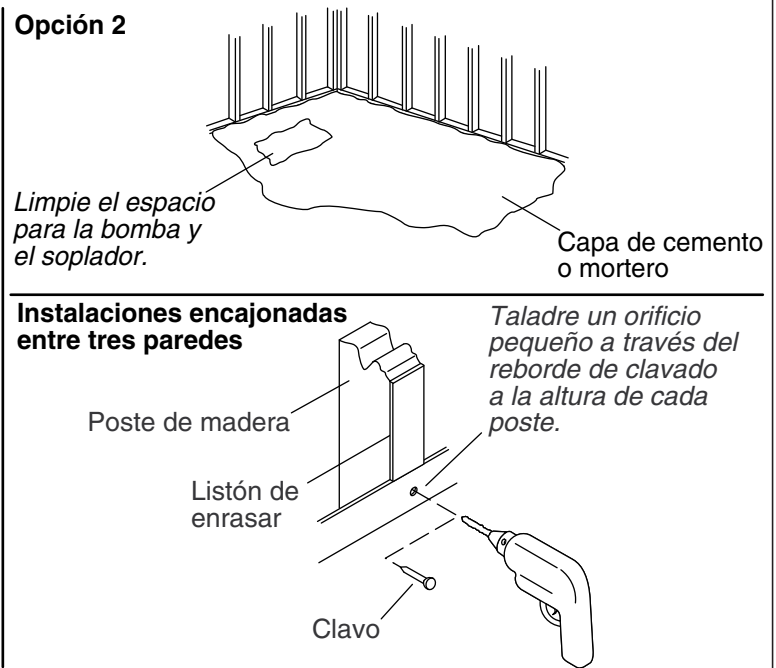
**Prepare el sitio (cont.)**

- Coloque una lona limpia en el fondo de la bañera para proteger su superficie.

### Opción 1



### Opción 2



## 2. Instale la bañera

**IMPORTANT!** Use espaciadores con un máximo de 1/8" (3 mm) de espesor bajo el reborde de la bañera para asegurar que el reborde no haga contacto con la cubierta.

**NOTICE:** No levante la bañera por los tubos ni por el motor soplador, ni los utilice como soporte estructural de la bañera. Para evitar daños a la bañera, levántela por el reborde a los lados de la bañera.

- Si el subpiso no está nivelado, coloque cuñas bajo la bañera cuando sea necesario.

### Opción 1: Instale con adhesivo de construcción

**NOTE:** Algunos modelos vienen con bloques de soporte; algunos modelos tienen soportes moldeados.

- Aplique una cantidad abundante de adhesivo de construcción de alta calidad en la parte inferior de los bloques de soporte o de los soportes moldeados. Con ayuda, coloque con cuidado la bañera en su lugar.
- Ponga peso en el fondo de la bañera hasta que el adhesivo cure.

### Opción 2: Instale con una capa de cemento o mortero

**NOTE:** No utilice cemento de yeso o pasta para paneles de yeso con esta aplicación, puesto que no se produce adherencia aceptable ni duradera.

**NOTE:** Si lo desea, puede colocar una película plástica sobre los subpisos de madera para evitar la absorción de humedad.

**NOTE:** El motor soplador debe quedar apoyado directamente sobre el subpiso. El motor soplador no debe entrar en contacto con el mortero.

- Coloque el área del fondo de la bañera sobre una capa de cemento mortero de 1" (25 mm) a 2" (51 mm).
- Ponga peso en el fondo de la bañera hasta que el cemento mortero cure.

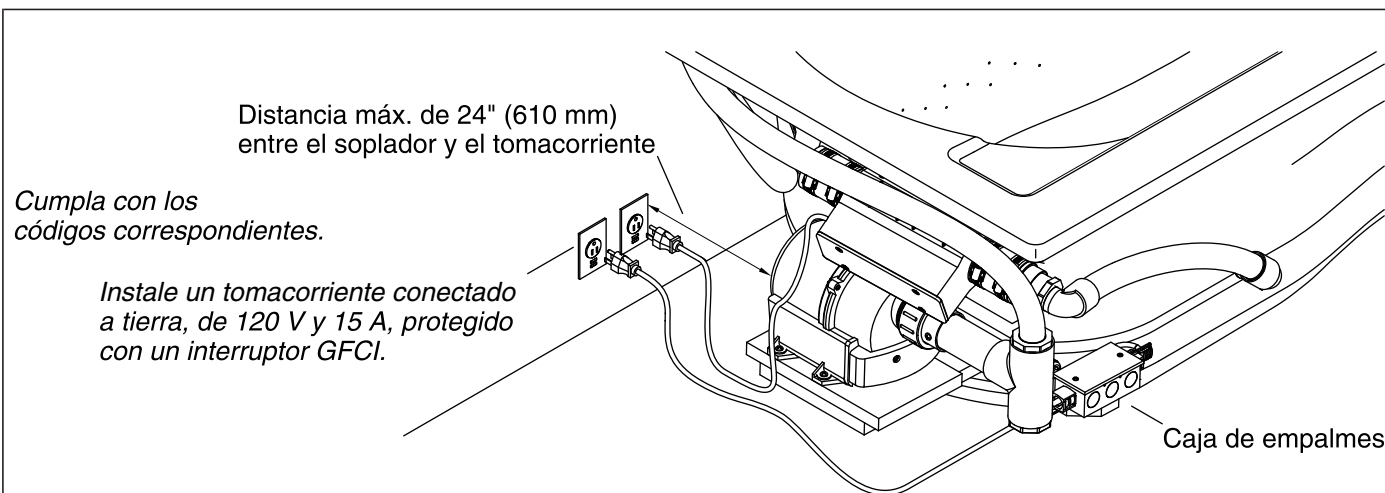
### Fije las pestañas para clavar (unidades para encajonado entre tres paredes)

**Instale la bañera (cont.)**

- Taladre un pequeño orificio guía a través de la pestaña para clavar en cada poste de madera. Agregue cuñas según sea necesario.
- Utilice clavos galvanizados de cabeza grande para fijar la pestaña para clavar a los postes.
- Clave listones de enrasar en los postes de madera.

**Instale la plomería**

- Introduzca el tubo final de desagüe en la boca de sifón. Fije el tubo final de desagüe a la boca de sifón.
- Instale la válvula de la grifería.
- Revise que no haya fugas en las conexiones de desagüe.



### 3. Haga las conexiones eléctricas



**DANGER: Riesgo de sacudidas eléctricas.** Conecte la caja de empalmes, el motor soplador y el calentador de burbujas a tomacorrientes con buena conexión a tierra con protección mediante interruptores de circuito con pérdida a tierra (GFCI)\*. No retire las clavijas de conexión a tierra de los enchufes. No utilice adaptadores de conexión a tierra.

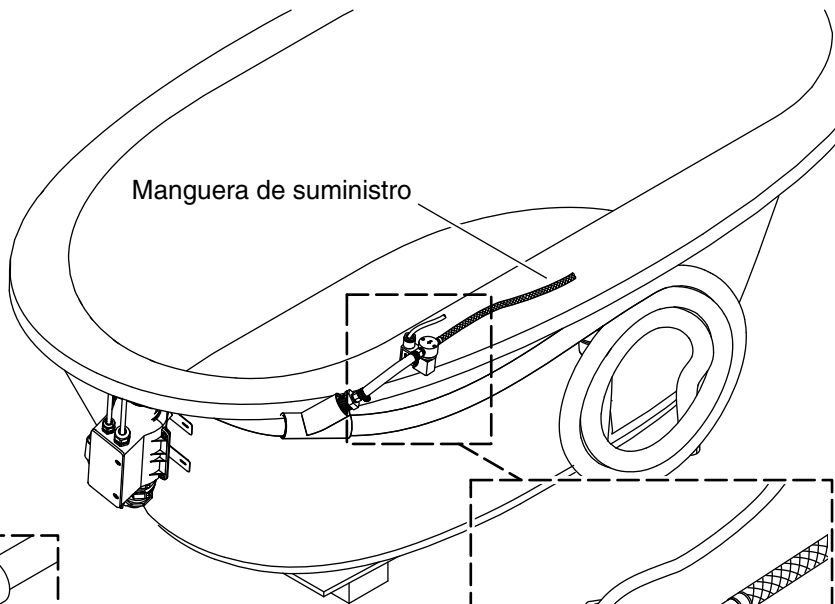
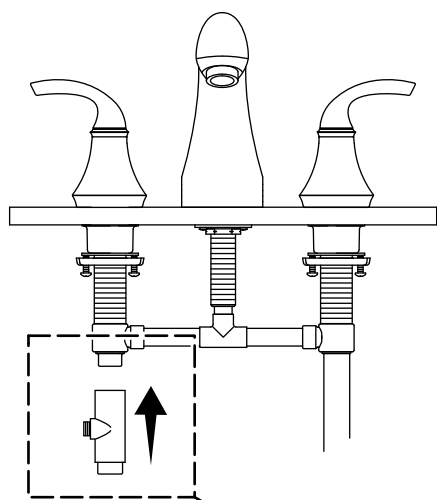


**WARNING: Riesgo de sacudidas eléctricas.** Asegúrese de desconectar la corriente eléctrica antes de realizar los siguientes procedimientos.

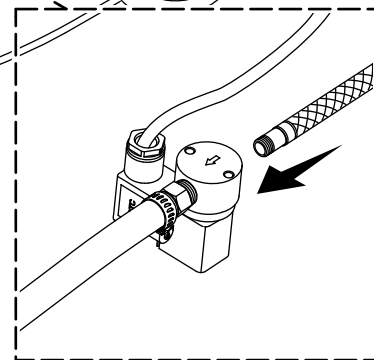
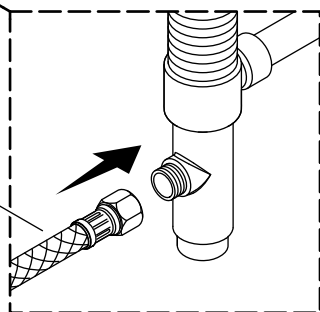
**NOTICE:** El motor soplador y la caja de empalmes y el calentador de burbujas están equipados con cables y enchufes. Un electricista calificado debe instalar 2 tomacorrientes conectados a tierra, de 120 V, 15 A y protegidos cada uno con un interruptor de circuito con pérdida a tierra (GFCI)\*. El motor soplador y la caja de empalmes deben estar en su propio circuito dedicado (circuito #1). El calentador de burbujas debe estar en su propio circuito dedicado (circuito #2). Estos circuitos no deben tener ninguna otra carga.

- Instale 2 tomacorrientes protegidos con interruptor de circuito con pérdida a tierra (GFCI)\* al alcance de los cables de suministro eléctrico de 24" (610 mm).
- Enchufe el cable del motor soplador y la caja de empalmes en el tomacorriente en el circuito #1.

\*Fuera de Estados Unidos es posible que este dispositivo se conozca como dispositivo de corriente residual (RCD).



Manguera de suministro



#### 4. Conecte el calentador de burbujas

- Instale el conector en T (no se incluye) a la válvula de agua caliente en la grifería de la bañera.
- Enrosque la manguera de suministro (no se incluye) en el puerto de 1/4 pulg. NPT del conector en T.
- Enrosque el lado opuesto de la manguera de suministro en el puerto de 1/4 pulg. NPT de la válvula de solenoide. ¡No doble las mangueras!
- Enchufe el cable del calentador de burbujas en el tomacorriente restante protegido por un interruptor GFCI\* en el circuito #2.

\*Fuera de Estados Unidos es posible que este dispositivo se conozca como dispositivo de corriente residual (RCD).

#### 5. Termine de hacer la instalación

##### Pruebe el funcionamiento de la bañera

- Haga funcionar el teclado de la superficie de calefacción para probar la selección de temperatura.
- Llene la bañera a un nivel por lo menos 4" (102 mm) arriba del jet de aire más alto.
- Deje funcionar la bañera durante 5 minutos y revise que no haya fugas en las conexiones de todas las tuberías de la bañera. Verifique que no haya fugas a lo largo del frente, los lados y la parte posterior de la bañera.
- Para obtener información adicional sobre el funcionamiento de la bañera y de la superficie de calefacción, consulte las secciones "Instrucciones de funcionamiento - Superficie de calefacción e "Instrucciones de funcionamiento - Bañera de aeromasaaje".

## Termine de hacer la instalación (cont.)

### Termine de hacer la instalación

**IMPORTANT!** Kohler Co. recomienda enfáticamente el uso de sellador 100 % de silicona, como se indica. Debe evitarse el uso de otros selladores con alto contenido de relleno, ya que puede encogerse, separarse o despegarse al paso del tiempo

- Instale panel de yeso resistente al agua y todos los materiales de acabado de la pared, la cubierta y el piso.
- Aplique un hilo continuo de un mínimo de 1/8" (3 mm) de sellador 100 % de silicona para sellar todos los lugares donde hacen contacto la bañera con la pared acabada o con la cubierta.
- Instale la guarnición de la grifería.

### Limpieza después de la instalación

- Al limpiar después de la instalación, **no utilice productos de limpieza abrasivos** ya que pueden dañar y opacar la superficie de la bañera. Utilice agua tibia y detergente líquido para limpiar la superficie de la bañera.
- Limpie las manchas difíciles de quitar o la pintura, con aguarrás o con diluyente de pintura. **No permita que los productos de limpieza que contengan destilados de petróleo permanezcan en contacto con la superficie de la bañera durante periodos prolongados.** Para retirar el yeso, raspe con cuidado con un borde de madera. No utilice raspadores de metal, cepillos de alambre ni otras herramientas metálicas. Se puede utilizar detergente en polvo con un trapo húmedo para ejercer una acción abrasiva suave en los residuos de yeso.

# Instrucciones importantes de seguridad

## LEA Y SIGA TODAS LAS INSTRUCCIONES

## GUARDE ESTAS INSTRUCCIONES

### INSTRUCCIONES RELATIVAS A LOS RIESGOS DE INCENDIO, SACUDIDA ELÉCTRICA O LESIONES PERSONALES



**WARNING:** Al usar aparatos eléctricos siempre cumpla las precauciones básicas, como las siguientes:



**DANGER:** Riesgo de lesiones personales o ahogamiento. Para reducir el riesgo de lesiones, no permita que los niños usen este producto sin supervisión estricta en todo momento.



**WARNING:** Riesgo de lesiones personales. Para evitar lesiones, tenga cuidado al entrar y al salir de la bañera.



**WARNING:** Riesgo de sacudidas eléctricas. No coloque aparatos eléctricos (como secador de pelo, lámparas, teléfono, radio o televisión) a menos de 5 pies (1,5 m) de esta bañera.



**WARNING:** El uso de alcohol, drogas o medicamentos puede aumentar enormemente el riesgo de sufrir hipertermia fatal. La inmersión prolongada en agua caliente puede producir hipertermia. Ocurre hipertermia cuando la temperatura interna del cuerpo alcanza un nivel varios grados más arriba de la temperatura corporal normal de 98,6°F (37°C). Los síntomas de hipertermia incluyen aumento de temperatura corporal interna, mareos, letargo, somnolencia y desfallecimiento. Los efectos de hipertermia incluyen: (a) incapacidad para percibir calor, (b) incapacidad para reconocer la necesidad de salir de la bañera, (c) inconsciencia de un peligro inminente, (d) daño al feto en mujeres embarazadas, (e) inhabilidad física para salir de la bañera y (f) pérdida del conocimiento con peligro de ahogarse.



## Instrucciones importantes de seguridad (cont.)



**WARNING: Riesgo de lesiones mortales.** Las mujeres embarazadas o que posiblemente estén embarazadas deben consultar a un médico antes de usar la bañera.



**WARNING: Riesgo de hipertermia o ahogamiento.** No utilice la bañera inmediatamente después de hacer ejercicio.



**WARNING: Riesgo de hipertermia o ahogamiento.** La temperatura del agua superior a 100°F (38°C) puede causar lesiones. Pruebe y ajuste la temperatura del agua antes de usar la bañera.



**WARNING: Riesgo de lesiones personales.** No deje caer ni introduzca objetos en ninguna de las aberturas.

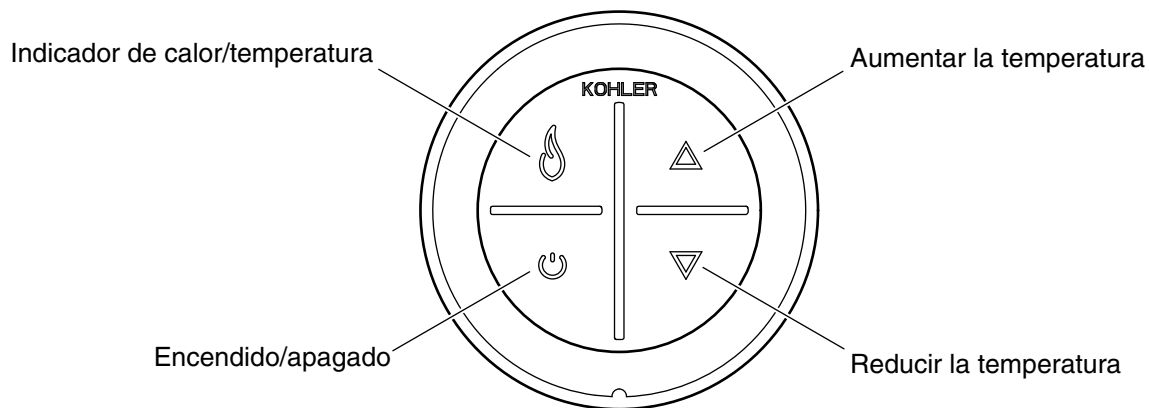
Use esta bañera únicamente con el fin para el que ha sido fabricada, tal como se explica en esta guía. No use equipos adicionales que no recomiende Kohler Co.

La bañera se debe conectar a un circuito protegido con un interruptor de circuito con pérdida a tierra (GFCI)\*. El instalador debe suministrar dicho interruptor GFCI, cuyo funcionamiento debe probarse en forma rutinaria. Para probar el interruptor GFCI, oprima el botón de prueba. El interruptor GFCI debe interrumpir el suministro eléctrico. Oprima el botón de restablecer (Reset). Esto debe restablecer el suministro eléctrico. Si el interruptor GFCI no funciona de esta manera, significa que está averiado. Si el interruptor GFCI interrumpe el suministro eléctrico a la bañera sin que se haya activado el botón de prueba, significa que fluye corriente a tierra, lo que indica la posibilidad de una sacudida eléctrica. No utilice esta bañera. Desconecte la bañera y solicite que un representante de servicio autorizado solucione el problema.

El uso constante de productos de higiene personal que contengan aceites puede dañar los componentes plásticos de la bañera de hidromasaje. Evite el uso de aceites de baño.

La acción del hidromasaje puede hacer que una pequeña cantidad de líquidos para hacer burbujas, champú, jabón o aceite de baño, espume en exceso. Por esta razón, no utilice estos productos durante el funcionamiento de la bañera de hidromasaje.

\*Fuera de Estados Unidos es posible que este dispositivo se conozca como dispositivo de corriente residual (RCD).



## Instrucciones de funcionamiento - Superficie de calefacción

### Funcionamiento del teclado

- **Icono de encendido** - Enciende y apaga el calentador.
- **Indicador de calor/temperatura** - El icono [Flama] se ilumina en amarillo, anaranjado o rojo, de acuerdo al nivel de calor. Amarillo indica calor a baja temperatura, anaranjado indica calor a temperatura media, y rojo indica calor a temperatura alta.
- **Flecha hacia arriba** - Aumenta la temperatura.
- **Flecha hacia abajo** - Disminuye la temperatura.

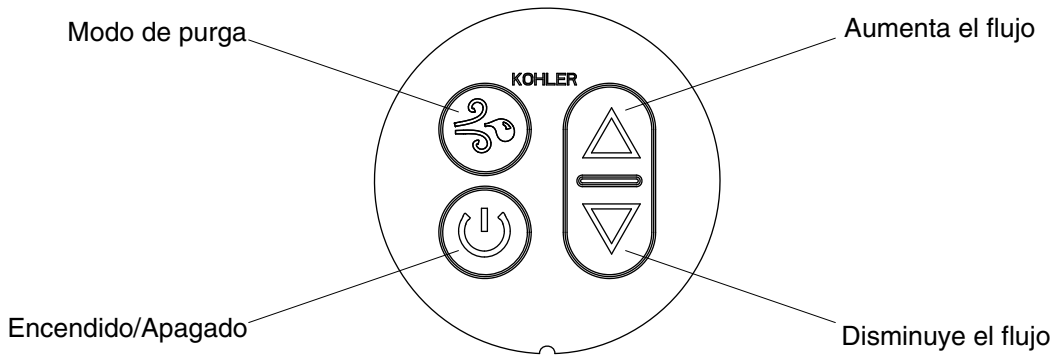
**NOTICE:** El calentador permanece encendido mientras no se apague manualmente al presionar el icono de encendido.

**NOTE:** Después de 60 minutos de inactividad, el calentador se restablece automáticamente a calor a baja temperatura si la temperatura se encontraba en la selección de temperatura media o alta.

**NOTE:** El calentador se enciende a la última selección de temperatura.

### Confirme el funcionamiento del sistema de calefacción

- Oprima el icono de encendido en el teclado del usuario.
- Observe que el indicador de calor se ilumine en amarillo y que el calentador produzca calor a baja temperatura.
- Oprima la flecha [Hacia arriba]. Verifique que el indicador de calor se ilumine en anaranjado y que aumente la temperatura.
- Oprima la flecha [Hacia arriba] por segunda vez. Verifique que el indicador de calor se ilumine en rojo y que aumente la temperatura.
- Oprima la flecha [Hacia abajo]. Verifique que el indicador de calor se ilumine en anaranjado y que disminuya la temperatura.
- Oprima la flecha [Hacia abajo] por segunda vez. Verifique que el indicador de calor se ilumine en amarillo y que disminuya la temperatura.
- Oprima el icono de encendido para apagar el calentador.



## Instrucciones de funcionamiento - Bañera de aeromasaaje

**IMPORTANT!** Este producto tiene un modo de purga automática de agua que enciende el motor soplador durante 5 minutos después de apagar y vaciar la unidad.

**NOTE:** La temperatura del agua en la bañera nunca debe exceder 104°F (40C).

- Cierre el desagüe, luego llene la bañera por lo menos 4" (102 mm) arriba del jet más alto.
- Pruebe la temperatura del agua con la mano para asegurar que sea cómoda y segura, y luego entre con cuidado a la bañera.
- Oprima el icono de encendido para encender el motor soplador a una velocidad media.
- Oprima los iconos de flecha hacia [Arriba] o [Abajo] para aumentar o disminuir el flujo de aire.
- Vuelva a oprimir el icono de encendido por segunda vez para apagar el motor soplador.
- Salga con cuidado y vacíe la bañera.

**NOTE:** Una vez que la bañera se vacíe más abajo del sensor de nivel de agua, inicia en forma automática el modo de purga durante 5 minutos.

**NOTE:** Si la bañera no funciona correctamente, consulte la sección "Guía para resolver problemas".

## Cuidado y limpieza

- **No utilice productos de limpieza en polvo, a menos que estén completamente disueltos en agua.** Las sustancias sólidas podrían obstruir los jets de aire.
- **No utilice soluciones de limpieza concentradas que contengan blanqueador o amoníaco.** Las soluciones de limpieza activas químicamente pueden dañar la superficie de la bañera.
- **No utilice disolventes ni limpiadores abrasivos en las superficies de acrílico.** Los disolventes y los productos de limpieza abrasivos pueden dañar la superficie de la bañera.
- Limpie su bañera acrílica con un paño suave después de cada uso.
- Evite el uso de detergentes, desinfectantes o productos de limpieza en aerosol.

**NOTE:** Para restaurar las unidades opacas o rayadas: Aplique un compuesto de pulir blanco para autos con un trapo limpio. Frote enérgicamente las áreas rayadas y opacas. Limpie los residuos. A continuación aplique una capa de cera en pasta blanca para autos. No aplique cera en las zonas donde se camina o donde se está de pie.

### Limpieza del teclado del usuario y del control remoto

## Cuidado y limpieza (cont.)

- Utilice un paño suave para limpiar el teclado y el control remoto después de cada uso. Si la superficie se ensucia, limpie con un jabón no abrasivo y agua tibia.

## Mantenimiento de los jets de aire

- Si es necesario limpiar los jets de aire debido a depósitos de agua dura, utilice un cepillo interdental pequeño y vinagre blanco. Sumerja el cepillo en el vinagre, cepille el orificio, enjuague el cepillo en agua limpia y luego utilice el cepillo enjuagado para enjuagar el orificio.
- Llene la bañera de agua hasta la fila superior de jets de aire. Drene la bañera.

Para obtener información detallada de limpieza y de productos a considerar, visite [www.kohler.com/clean](http://www.kohler.com/clean). Para solicitar información sobre cuidado y limpieza, llame al 1-800-456-4537.

## Resolución de problemas

**NOTICE:** El propósito de esta sección es solo ayuda general. Todos los problemas eléctricos deben ser resueltos por un representante de servicio autorizado de Kohler Co. o un electricista capacitado. Para obtener servicio de garantía, llame al 1-800-4KOHLER desde EE.UU. y Canadá, o al 001-800-456-4537 desde México.

Para consultar información sobre piezas de repuesto, visite la página de su producto en [kohler.com/serviceparts](http://kohler.com/serviceparts).

### Sistema de bañera de aeromasaaje

Síntomas	Causas probables	Acción recomendada
1. El motor soplador se enciende por sí mismo después de haber vaciado la bañera.	A. Funcionamiento normal. El modo de purga automática está funcionando de acuerdo a su diseño.	A. No se requiere acción alguna. El modo de purga automática funciona durante 5 minutos después de haber vaciado la bañera.
2. El motor soplador se apaga por sí mismo después de haber funcionado durante 5 minutos.	A. Se oprimió el icono de modo de purga en vez del icono de encendido/apagado.	A. Oprima el icono de encendido/apagado en el teclado. Consulte la sección de instrucciones de funcionamiento de la bañera de aeromasaaje.
3. El motor soplador no se enciende.	A. El cable de suministro eléctrico del motor soplador está suelto, desconectado o dañado.	A. Revise que los cables estén correctamente conectados.
	B. El cable para el teclado está suelto o dañado.	B. Revise las conexiones de los cables. De ser necesario, cambie el cable del teclado del usuario.
	C. El teclado del usuario no funciona.	C. Cambie el teclado del usuario.
	D. El motor soplador no funciona.	D. Cambie el motor soplador.
4. El motor soplador deja de funcionar y no se enciende de inmediato.	A. El motor soplador se ha sobrecalentado y se ha activado el dispositivo de protección.	A. Verifique que no haya obstrucciones en la entrada de aire del motor soplador. Elimine la obstrucción y deje enfriar el motor.

## Resolución de problemas (cont.)

Síntomas	Causas probables	Acción recomendada
5. El motor soplador arranca, pero no todos los jets de aire funcionan.	A. La velocidad del motor soplador es demasiado baja.	A. Aumente la velocidad.
	B. La entrada del motor soplador está obstruida.	B. Limpie la entrada del motor soplador.
	C. El motor soplador no funciona.	C. Cambie el motor soplador.
	D. La descarga del motor soplador está obstruida.	D. Elimine la obstrucción.
	E. Hay jets de aire tapados.	E. Utilice un cepillo interdental pequeño y vinagre blanco. Sumerja el cepillo en el vinagre, cepille el orificio, enjuague el cepillo en agua limpia y luego utilice el cepillo enjuagado para enjuagar el orificio.
6. El motor soplador funciona, pero no se observan burbujas de aire.	A. La entrada del motor soplador está obstruida.	A. Limpie la entrada del motor soplador.
	B. Hay jets de aire tapados.	B. Utilice un cepillo interdental pequeño y vinagre blanco. Sumerja el cepillo en el vinagre, cepille el orificio, enjuague el cepillo en agua limpia y luego utilice el cepillo enjuagado para enjuagar el orificio.
	C. El motor soplador no funciona.	C. Cambie el motor soplador.
7. El motor soplador funciona, se observan burbujas de aire, pero la función de velocidad no funciona.	A. La entrada del motor soplador está obstruida.	A. Limpie la entrada del motor soplador.
	B. El arnés de cableado está suelto, desconectado o dañado.	B. Revise que los cables estén correctamente conectados. Si es necesario, cambie el arnés de cableado.
	C. El teclado del usuario no funciona.	C. Cambie el teclado del usuario.
	D. El motor soplador no funciona.	D. Cambie el motor soplador.
8. El motor soplador no se apaga cuando se oprime el botón de encendido/apagado.	A. El teclado del usuario no funciona.	A. Cambie el teclado del usuario.
	B. El arnés de cableado está suelto, desconectado o dañado.	B. Revise que los cables estén correctamente conectados. Si es necesario, cambie el arnés de cableado.
	C. El control no funciona.	C. Cambie el control.
9. El modo de purga no funciona.	A. El teclado del usuario no funciona.	A. Cambie el teclado del usuario.
	B. El control no funciona.	B. Cambie el control.
10. La bañera no se purga automáticamente.	A. El motor soplador no funciona.	A. Cambie las pilas.
	B. Los sensores de nivel de agua están defectuosos.	B. Cambie los cables.
	C. Los cables de los sensores de nivel de agua están tendidos juntos.	C. Separe los cables de forma que queden tendidos en distintos lados de la bañera.

### Superficie de calefacción

## Resolución de problemas (cont.)

Síntomas	Causas probables	Acción recomendada
11. La bañera con calefacción no se enciende.	A. La fuente de suministro eléctrico no recibe alimentación.	A. Establezca o restablezca el interruptor GFCI o RCD; revise el cableado.
	B. El cable para el teclado del usuario está suelto o dañado.	B. Revise las conexiones de los cables. De ser necesario, cambie el cable del teclado del usuario.
	C. El teclado del usuario no funciona.	C. Revise las conexiones de los cables. Cambie el teclado del usuario.
	D. La fuente de suministro eléctrico no funciona.	D. Cambie la fuente de suministro eléctrico.
12. La bañera está encendida, pero el calor es muy poco o no calienta.	A. El cable del calentador está suelto o dañado.	A. Revise las conexiones de los cables. De ser necesario, cambie el cable del calentador.
	B. El calentador o el aislamiento está suelto en la bañera.	B. Fije el calentador o el aislamiento a la bañera.
	C. El indicador de calor está amarillo o anaranjado.	C. Oprima la flecha [Hacia arriba] para aumentar la temperatura.
	D. El calentador no funciona.	D. Cambie el calentador.
	E. El sensor de temperatura no funciona.	E. Cambie el calentador.
13. La temperatura no se restablece automáticamente a nivel bajo después de 1 hora.	A. El sensor de temperatura no funciona.	A. Cambie el calentador y/o el teclado.
14. El indicador de calor parpadea en rojo.	A. Es necesario restablecer el sistema de calefacción.	A. Oprima el icono de encendido para apagar el suministro eléctrico. Espere 10 segundos, luego vuelva a encender.
	B. El calentador no funciona.	B. Cambie el calentador.
15. El indicador de calor parpadea en amarillo.	A. Es necesario restablecer el sistema de calefacción.	A. Oprima el icono de encendido para apagar el suministro eléctrico. Espere 10 segundos, luego vuelva a encender.
	B. El sensor de temperatura no funciona.	B. Cambie el calentador.



USA/Canada: 1-800-4KOHLER

México: 001-800-456-4537

[kohler.com](http://kohler.com)

THE BOLD LOOK  
OF **KOHLER**®

©2020 Kohler Co.

1385106-2-B