

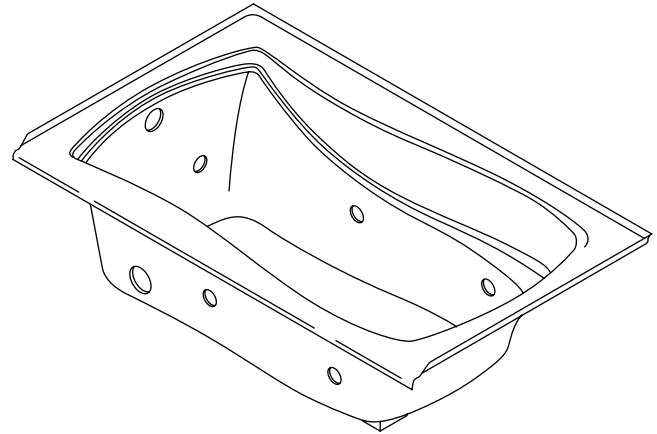
Features

- Acrylic
- Drop-in or three-wall alcove
- 5 individually adjustable ProFlex® hydro-massage jets
- Pump with air switch and grounding-type plug-in cord
- UL listed
- Optional K-9695 metal finish 5 jet trim kit
- Optional K-1278 removable apron
- 60" (152.4 cm) x 36" (91.4 cm) x 20" (50.8 cm)

BATH WHIRLPOOL

K-1239

ALSO K-1239-L, K-1239-R



Codes/Standards Applicable

Specified model meets or exceeds the following:

- ASME A112.19.7M
- ANSI Z124.1.2
- UL 1795

Colors/Finishes

- 0: White
- Other: Refer to Price Book for additional colors/finishes

Accessories

- CP: Polished Chrome
- PB: Vibrant® Polished Brass
- Other: Refer to Price Book for additional colors/finishes

Specified Model

Model	Description	Colors/Finishes		
K-1239	Bath whirlpool – drop-in	<input type="checkbox"/> 0	<input type="checkbox"/> Other _____	
K-1239-L	Bath whirlpool – three-wall alcove, left drain (shown)	<input type="checkbox"/> 0	<input type="checkbox"/> Other _____	
K-1239-R	Bath whirlpool – three-wall alcove, right drain	<input type="checkbox"/> 0	<input type="checkbox"/> Other _____	
Recommended Accessories				
K-7161-AF	Adjustable pop-up drain with tailpiece	<input type="checkbox"/> CP	<input type="checkbox"/> PB	<input type="checkbox"/> Other _____
Optional Accessories				
K-1278	Removable apron	<input type="checkbox"/> 0		<input type="checkbox"/> Other _____
K-9695	Metal finish 5 jet trim kit		<input type="checkbox"/> CP <input type="checkbox"/> PB	<input type="checkbox"/> Other _____

Product Specification

The acrylic bath whirlpool shall be 60" (152.4 cm) in length, 36" (91.4 cm) in width, and 20" (50.8 cm) in height. Product shall be for drop-in or three-wall alcove installation. Bath whirlpool shall have 5 individually adjustable ProFlex hydro-massage jets, a pump with air switch and grounding-type plug-in cord. Bath whirlpool shall be UL listed. Bath whirlpool shall have an optional K-1278 removable apron and optional K-9695 metal finish 5 jet trim kit. Bath whirlpool shall be Kohler Model K-1239-____ or K-1239-____-____.

MARIPOSA®

Technical Information

Fixture*:			
Basin area:			
Bathing area, bottom	46" (116.8 cm) x 24" (61 cm)		
Bathing area, top	54" (137.2 cm) x 27" (68.6 cm)		
Weight	105 lbs (47.6 kg)		
To overflow:			
Water depth	14" (35.6 cm)		
Capacity	63 gal (238.5 L)		
* Approximate measurements for comparison only.			
Drop-in cutout: 58" (147.3 cm) x 34" (86.4 cm)			
Pump	V	Hz	A
1-speed	120	60	7.5

Required Electrical Service

Dedicated circuit required, protected with Class A Ground-Fault Circuit-Interrupter (GFCI):	
Pump/control	120 V, 15 A, 60 Hz
Locate the outlet behind the whirlpool and within 24" (61 cm) of the pump.	

Installation Notes

Install this product according to the installation guide.

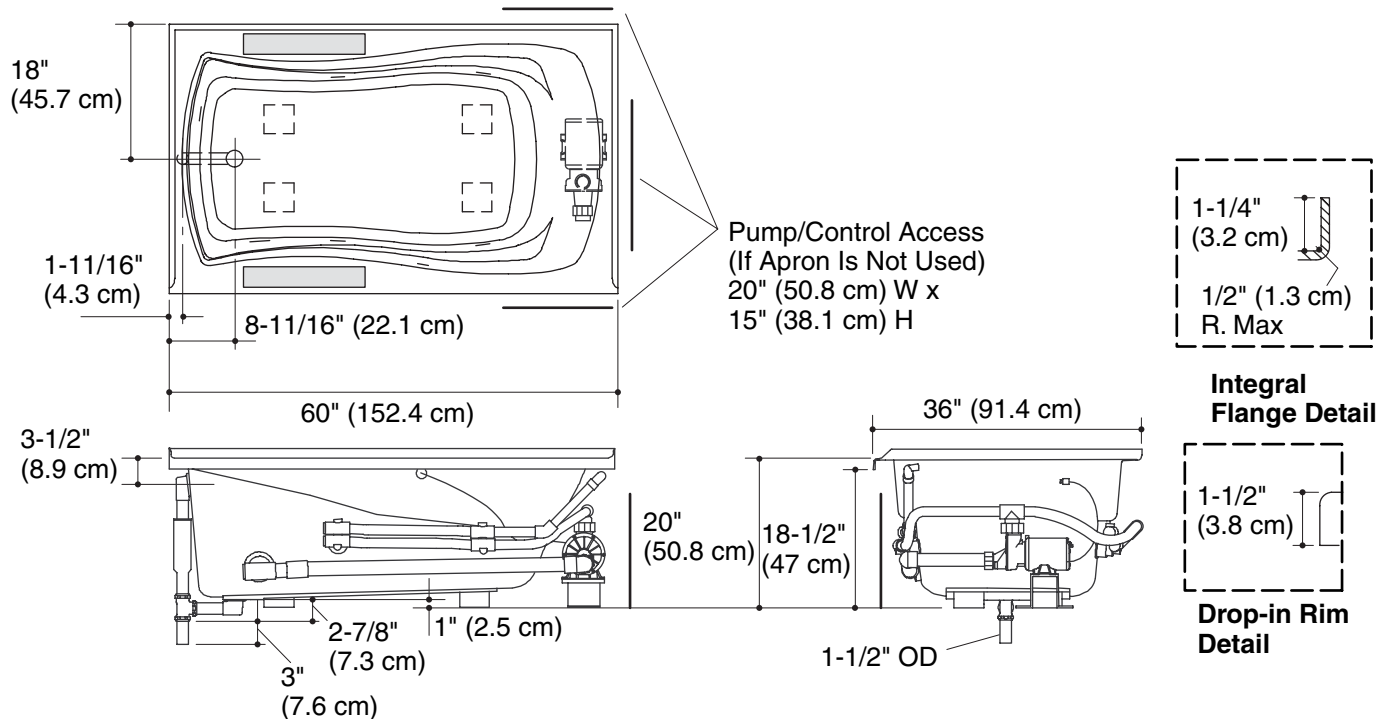
Floor support under whirlpool must provide for a minimum of 44 lbs/square foot (214 kg/square meter) loading.

If installing a rim-mount faucet, make sure there is no interference with the drain overflow before drilling any holes. Consult local and national codes for minimum air gap requirements if installing a spout on the faucet deck.

The apron must be installed before the finished floor and wall materials are installed.

No change in measurements if connected with drain illustrated. (K-7161-AF or K-7161M-AF)

■ Recommended Faucet Area



Product Diagram