

C-Series LED

16251 & 16255

120V LED Security Light with Motion Sensor, 21W



5 year limited warranty for the canopy and fixture assembly; 1 year limited warranty for the motion sensor.

PROJECT:

TYPE:

ORDERING:

COMMENTS:

APPLICATIONS

Kichler Lighting's 120V LED 2-Light security fixture provides excellent light output for increased safety, security and peace of mind. An integrated PIR Motion Sensor detects movement within a range of 240° in front of the fixture, while a separate bottom sensor detects movement beneath the fixture. Positionable heads then allow for broad or narrow illumination to create a desired end effect. Typical applications include spaces like employee entrances, garages or storage units that require intermittent lighting to safely illuminate nearby activity. Suggested mounting height is 10' to 13'.

CONSTRUCTION

Mounting canopy and fixture housing(s) constructed from die-cast aluminum with gasketed knockouts. Glass lens. Tamper-resistant stainless steel hardware.

FINISH

Mounting canopy and fixture housings include a UV stabilized powder coat paint finish available in Textured Architectural Bronze™ (AZT) or Textured White (WHT).

MOUNTING

Mounts directly over a 4" recessed junction box (by others). Mounting height is 10' to 13'.

LED CHARACTERISTICS

Color consistent LED array. Lumen Maintenance: L70 ≥ 36,000 hours. CRI: 80+.

ELECTRICAL

Electronic fully potted driver, 120VAC, 50/60 Hz. Integrated surge protection (4kV) is standard.

MOTION SENSORS

Front Sensor: Passive infrared sensor detects motion and activates the lights within a range of 240° in front of the fixture; Bottom Sensor: Detects motion and activates the lights within a range of 360° beneath the fixture.

LISTINGS AND CERTIFICATION

UL 1598 / CSA 250.0 listed for wet locations; Operating temperature -40° C to +40°; IP65 Rated. Select models are DLC Qualified (see Ordering Matrix).

PHOTOCELL

Built-in Photocell deactivates light during the day.

KICHLER

120V LED Security Light with Motion Sensor, 21W

ORDERING MATRIX (Model # + Finish & CCT Codes) & LUMEN INFORMATION

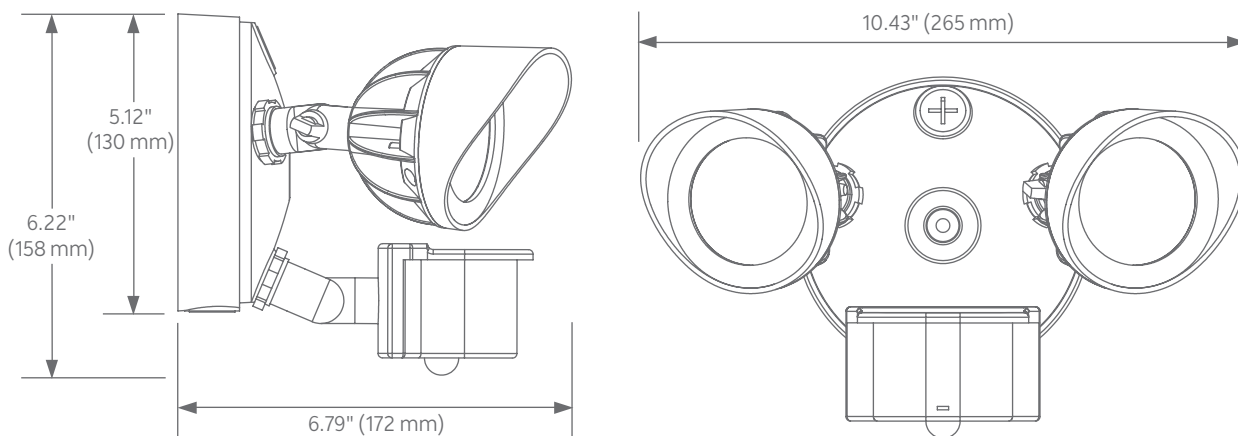
Model #	Finish	CCT (30 / 40 / 50)	Wattage	Lights	CRI	Lumen	Lm/W	L70 (hrs)
*16251	WHT	5000K	20.5	2	80	1900	93	≥ 36,000
*16255	AZT	5000K	20.5	2	80	1900	93	≥ 36,000

Example: 16251AZT50 is model 16251 (21W, 1900 Lm) in Textured Architectural Bronze™, 5000K

Lumen values are based on photometric test performed in accordance with IESNA-LM-79-08.

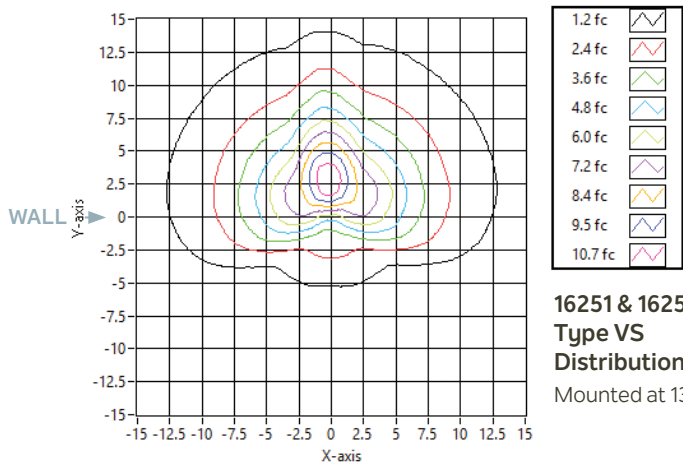
***DLC Qualified Products. For the most current listing, visit www.designlights.org.**

DIMENSIONS



PHOTOMETRIC DIAGRAMS

Illuminance Contour Graph



**16251 & 16255
Type VS
Distribution
Mounted at 13'**

Note: lights were positioned 30° from the center, and 30° from the wall.

TECHNICAL SUPPORT - Contact Kichler Advanced Product Support: techsupport@kichler.com or 844-KICHLER (844-542-4537) M-F, 8:00 a.m. - 6:30 p.m. ET

FREE LAYOUT DESIGN - Available for Kichler partners - Visit Kichler.com/APS for details.