

6D Series LED Accent Disc



PROJECT:

TYPE:

ORDERING:

COMMENTS:

Kichler's 24V LED Accent Discs are designed to install inside cabinets that are at least 12"W x 12"H x 12"D. These small but mighty fixtures provide vivid illumination to dinnerware and display pieces within glass-paneled cabinetry or small architectural niches.

SPECIFICATIONS

Power Ratings

Input Voltage Range	24V DC
Wattage	4W
Current	0.17A

Lumen Information

Lumens	190 Lm
CRI	90+
CCT	2700K, 3000K
Lumen Maintenance (Per TM-21)	L70 @ >54,000 Hrs L90 @ 36,000 Hrs

Environmental

Location	Indoor
Environmental Protection Rating	Dry and Damp Locations
Operation Ambient Temperature	-25°C - +40°C
Storage Temperature	-40°C - +80°C

Max Wire Run Lengths

24 AWG	40 ft.
18 AWG	170 ft.

Mechanical & Housing Specification

Diameter	2.7" / 68 mm
Height	.60" / 15 mm
Housing Material	Aluminum
Finish	BKT – Textured Black BZT – Textured Bronze NIT – Textured Nickel WHT – Textured White
Weight	0.2 lbs.

Approval Markings

Certificates / Approval signs ETL Listed under UL 2108

Safety Warnings

- This product is intended to be installed and serviced by a qualified, licensed electrician and it must be installed in accordance with the National Electric Code, and all other Federal and local laws and regulations
- Only install compatible LED fixtures & controls. Only use copper wiring.
- Requires enclosed cabinets to be 12"W x 12"H x 12"D.

Limited Warranty

Subject to Kichler's General Warranty and Limitations, Kichler provides a warranty of three (3) years on the LED Light Engines and electrical components in residential applications, one (1) year in commercial applications. Complete warranty details for fixtures and additional accessories are available at www.KICHLER.com/ warranty. For warranty related questions, please contact customer service.

6D Series LED Accent Disc

Features

- Low profile
- Dimmable
- Frosted lens
- Textured powder coat finish
- ETL Listed (Class 2, U.S. and Canada)
- Mount to surface or recessed



6D24V27WHT, 6D24V30WHT
Textured White



6D24V27BZT, 6D24V30BZT
Textured Bronze



6D24V27BKT, 6D24V30BKT
Textured Black



6D24V27NIT, 6D24V30NIT
Textured Nickel

ORDERING MATRIX (Model # + CCT + Finish Code)

	Model #	CCT	Finish
Product Number Breakdown	6D24V = 24V Accent Disc	30 = 3000K 27 = 2700K	BKT = Textured Black WHT = Textured White BZT = Textured Bronze NIT = Textured Nickel

Example: 6D24V30NIT = 24V Accent Disc, 3000K, Textured Nickel Finish

ACCESSORIES TO BUILD A SYSTEM



LED Driver + Dimmer Switch

6DD24V060WH
6DD24V0100WH

- Integrated Driver + Dimmer Switch in one
- 120V AC input, 24V 60W or 100W DC output



Cord

10193 BK

- 8' cord and plug accessory for use with 6TD24V60BKT or 6TD24V96BKT



LED Power Supply 60W

6TD24V60 BKT
6TD24V96 BKT

- Direct wire dimmable
- Class 2, 24V DC
- 60W or 96W
- No additional NEMA accessory component required



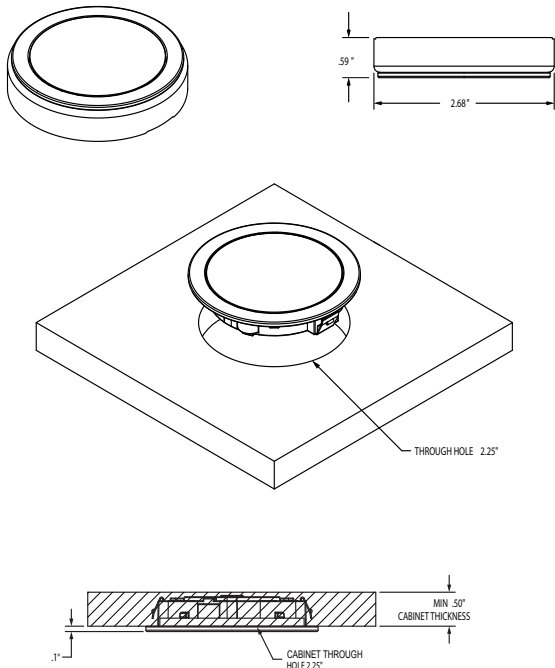
Splice Box

10189 BK, WH

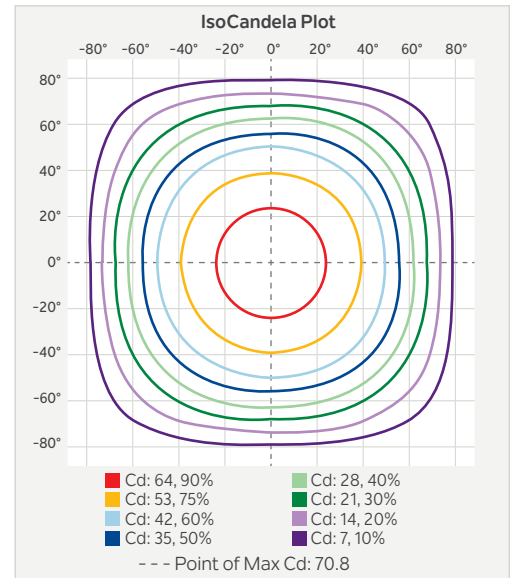
- Accepts max. 14 AWG wire
- (4) 3/8" size knock out
- Intended for low voltage connections only
- 2.375" L x 2.375" W x 1" H

6D Series LED Accent Disc

DIMENSIONS



PHOTOMETRIC DIAGRAMS



6D24Vxxxxx shown (190 Lumens)

MECHANICAL

The 6D LED disc light may be installed either as a surface mounted light source with the included mounting ring or recessed mounted for a low profile aesthetic.

INSTALLATION TIP

The ideal way to maximize your power supply on an accent disc installation is to combine with Kichler 24V LED tape (6TL Series). For layout assistance or technical support visit kichler.com/APS

