

120V-277V LED Medium Flood, 33W & 50W



Select Models

PROJECT: _____

TYPE: _____

ORDERING: _____

COMMENTS: _____

APPLICATIONS

Kichler's 120V-277V LED flood lighting fixtures are designed for outdoor lighting applications requiring uniform light sources, with long life, and little maintenance requirements.

CONSTRUCTION

Die-cast aluminum construction with durable polyester powder coating. Vandal resistant hardware, reinforced knuckle design, a water draining front end with an integrated cowl.

ELECTRICAL

ETL listed to UL and CSA Standards for 120V-277 VAC (50/60 Hz), and suitable for wet locations. Integrated surge protection (4kV) comes standard.

OPTICS

Utilizes a two LED chip-on-board light source that provides for center-to-edge uniformity and enhances beam control. NEMA 7 x 5 wide flood. Three-step binning for tight color consistency.

LISTINGS

ETL wet label listed to UL and CSA Standards. IP66 rated. FCC compliant.

ORDERING MATRIX (Model # +Finish & CCT Codes) & LUMEN INFORMATION

The standard model is the Knuckle Mount Fixture. For Slip Fit or Trunnion, add SL or TR respectively.

Model #	Finish	CCT (30 / 40)	Mount	Wattage	CRI	Lumen	Lm/W	L70 (hrs)
*16223	AZT or BKT	3000K	Knuckle	33.2	80 (+)	3287	99	60,000
*16223	AZT or BKT	4000K	Knuckle	33.7	80 (+)	3495	104	60,000
*16224	AZT or BKT	3000K	Knuckle	50.4	80 (+)	4496	89	60,000
*16224	AZT or BKT	4000K	Knuckle	51.1	80 (+)	4795	94	60,000

ADDITIONAL MOUNTING OPTIONS



Slip-Fit Mount



Trunnion Mount

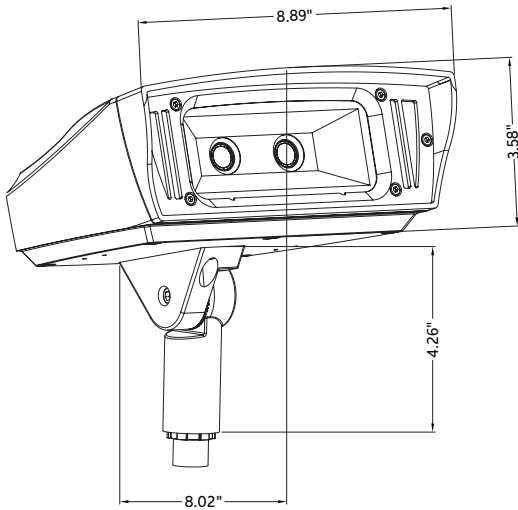
Example: 16223BKT40 is model 16223 in Textured Black, 4000K (to then change from knuckle to Slip Mount, add SL after 40)

Each model is available with a finish in BKT - Textured Black or AZT - Textured Architectural Bronze

C-Series LED

120V-277V LED Medium Flood, 33W & 50W

DIMENSIONS



INCLUDED ACCESSORIES

Three (3) King Innovation Gel-Filled twist-on wire connectors

ACCESSORIES

Ordered & shipped separately (for knuckle only)

15645 AZT, BKT - 6" Stem	Corrosion resistant
15656 AZT, BKT - 12" Stem	aluminum alloy with
15657 AZT, BKT - 18" Stem	baked thermoset
15658 AZT, BKT - 24" Stem	powder coating.

15276 BKT - Power Post: A Fast, One-Step Connector

Made of Impact / Corrosion Resistant PVC

2.25" Inside Diameter to Accommodate Conduits

of Different Sizes

Accepts .50 NPSM Thread

Designed For 120V-277V Line Voltage Landscape Lighting,

Eliminating Need For Above or Below Ground Boxes.

Built-in Stabilizer Removes Need For Concrete

15601 AZT, BKT - Cast Aluminum Surface Mounting

Flange with Bronze or Black Finish, Neoprene Gasket For

Watertight Seal

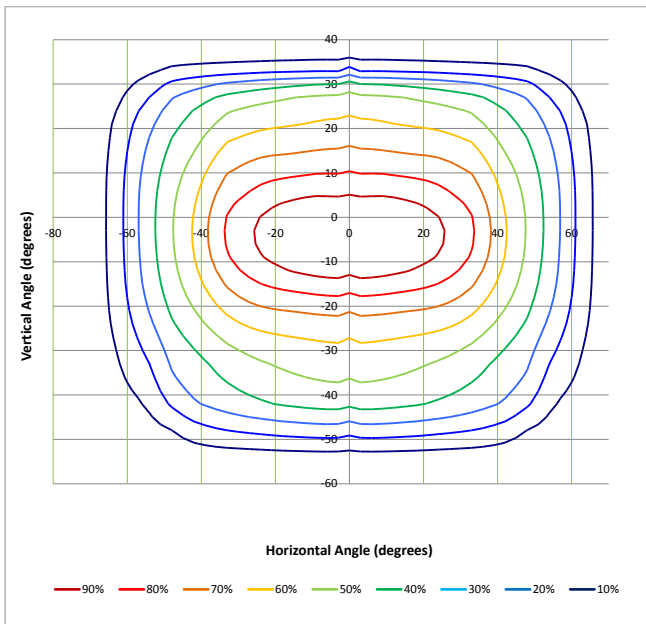
15609 AZT, BKT - Junction Box Mounting Bracket

Corrosion Resistant Cast Aluminum Alloy with Baked

Thermoset Bronze or Black Powder Coat Finish

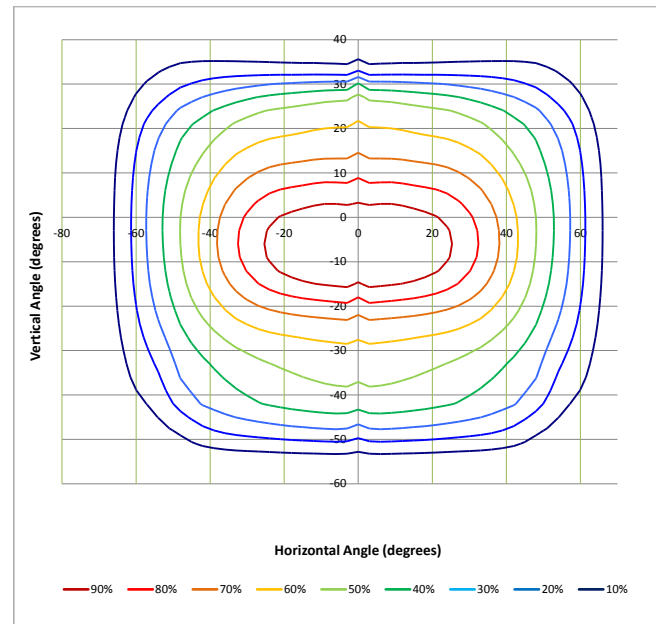
PHOTOMETRIC DIAGRAMS

16223 Medium Flood



16223BKT30 shown (3000 Lumens)

16224 Medium Flood



16224BKT30 shown (4200 Lumens)