

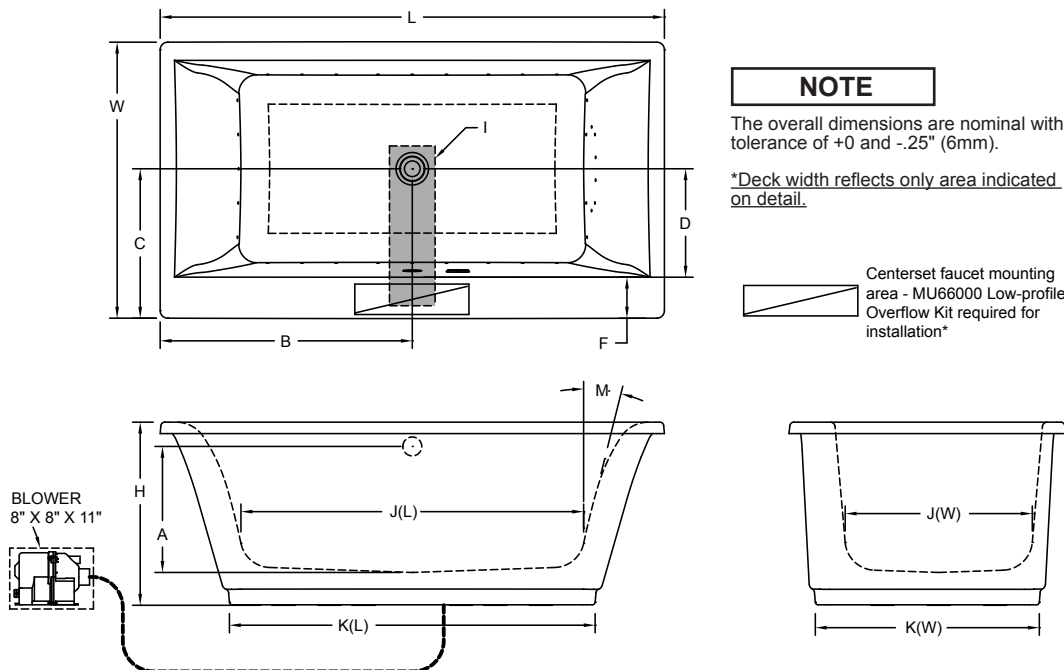
# Fiore™ Technical Specifications

		Soaking Bath Models		Pure Air® Bath Model (6636 Model Only)
Letter	Description	6232	6636	
-	Drain/Motor Location	Center	Center	Center
-	Blower Location	N/A	N/A	Remote
-	Cutout	N/A	N/A	N/A
-	Total Weight	824 lbs (274 kg)	1227 lbs (557 kg)	1327 lbs (602 kg)
-	Floor Loading	59.8 lb/ft² (292.0 kg/m²)	74.4 lb/ft² (363.3 kg/m²)	80.4 lb/ft² (392.5 kg/m²)
-	Operating Gallons (Min/Max)	57 Gal. (216 L) Max.	75 Gal. (284 L) Max.	52 Gal. (192 L) Min. 75 Gal. (284 L) Max.
-	Product Weight	101 lbs (46 kg)	108 lbs (49 kg)	120 lbs (54 kg)
L	Outer Length	62" (1575 mm)	66" (1676 mm)	66" (1676 mm)
W	Outer Width	32" (813 mm)	36" (914 mm)	36" (914 mm)
H	Overall Height	24.06" (611 mm)	24.06" (611 mm)	24.06" (611 mm)
A	Overflow Height	17" (432 mm)	17" (432 mm)	17" (432 mm)
B	Short Edge to Drain Center	31" (787 mm)	33" (838 mm)	33" (838 mm)
C	Long Edge to Drain Center	17.5" (445 mm)	19.5" (495 mm)	19.5" (495 mm)
D	Drain Shoe Length	12.25" (311 mm)	14.25" (362 mm)	14.25" (362 mm)
E	Flange Height	N/A	N/A	N/A
F	Deck Width	5.25" (133 mm)	5.25" (133 mm)	5.25" (133 mm)
G	Service Access Dimensions	N/A	N/A	N/A
I	Floor Cutout for Drain	6" x 19" (152 mm x 483 mm)	6" x 21" (152 mm x 533 mm)	6" x 21" (152 mm x 533 mm)
J	Interior Dimensions (W x L)	41" x 20.5" (1041 mm x 521 mm)	46" x 24.5" (1143 mm x 622 mm)	45" x 24.5" (1143 mm x 622 mm)
K	Skirt Base Dimensions (L x W)	44" x 25.5" (1118 mm x 648 mm)	48" x 29.5" (1219 mm x 749 mm)	48" x 29.5" (1219 mm x 749 mm)
M	Backrest Angle	14°	14°	14°

Each component requires a separate, dedicated GFCI protected circuit

Model with components	GFCI Outlet (60Hz)
PURE AIR® BATH Blower	120V/15A

## Key Dimensions



©2017 Jacuzzi Luxury Bath • For additional information call Customer Service 800-288-4002 • [www.jacuzzi.com/baths/](http://www.jacuzzi.com/baths/)  
Refer to installation instructions included with fixture before beginning installation. Please confirm product availability and specifications before commencing with any installation work.  
PRODUCT SPECIFICATIONS AND AVAILABILITY ARE SUBJECT TO CHANGE WITHOUT NOTICE.