

TECHNICAL SPECIFICATIONS



Cetra® 532 Whirlpool Bath

CET6032 WRL 2XX Cetra 532 Whirlpool Bath Right Hand (T725)
 CET6032 WLR 2XX Cetra 532 Whirlpool Bath Left Hand (T720)

Cetra® 532 Bath

CET6032 BUX XXX Cetra 532 Bath (T730)

INSTALLATION NOTES

Refer to installation instructions included with fixture before beginning installation. Please confirm product availability and specifications before commencing with any installation work.

PRODUCT SPECIFICATIONS AND AVAILABILITY ARE SUBJECT TO CHANGE WITHOUT NOTICE.

KEY DIMENSIONS

DIMENSIONS

60" L x 32" W x 21-1/4" H
 (1524 mm) L x (813 mm) W x (540 mm) H

DRAIN/OVERFLOW

A: 18-1/2" (470 mm) B: 9" (229 mm)

CUTOUT

58" x 30"

TOTAL WEIGHT

T720, T725: 697 lb (316 kg) / 53 lb/sq. ft. (256 kg/sq. m)

T730: 663 lb (301 kg) / 50 lb/sq. ft. (244 kg/sq. m)

OPERATING GALLONAGE

Max. 56 U.S. Gal. (212 Liters)

Min. 42 U.S. Gal. (159 Liters)

PRODUCT WEIGHT

T720, T725: 89 lb (40 kg)

T730: 55 lb (25 kg)

SKIRT MOUNTING

Optional U-Frame P/N F955

ELECTRICAL SPECIFICATIONS

Requires a dedicated GFCI protected separate circuit.

Motor/Pump: 120 VAC, 15 AMP, 60 Hz.

Rapid Heat: 120 VAC, 15 AMP, 60 Hz.

HEATER (OPTIONAL) MODELS T720, T725 ONLY

Requires a dedicated GFCI protected separate circuit.

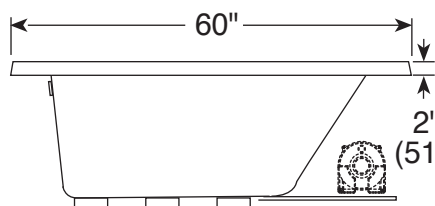
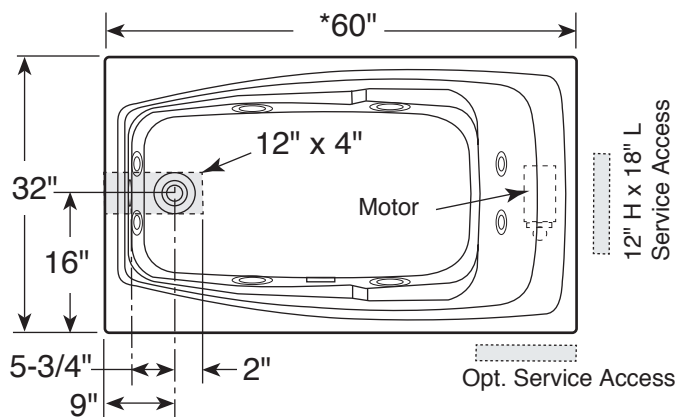
Product Shown: Cetra 532 Whirlpool Bath Left Hand Model: T720

* Measurements inside unit represent cutout in floor to allow for drain/overflow.

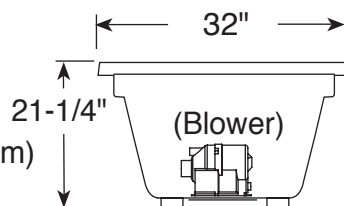
Minimum Service Access dimensions given

FEATURES, UPGRADES & ACCESSORIES

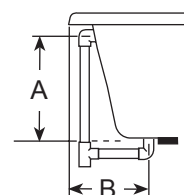
- Right and Left Hand Drain Location
- Accessories / Hardware:
 - TheraPro™ Jet Rings Kit #GU44
 - AccuPro™ Jet Rings Kit #GU45 (2 kits required)
- Trim Kit Finishes Available:
 - (827) – Chrome
 - (826) – Brushed Nickel
 - (845) – Oil Rubbed Bronze



END VIEW



SIDE VIEW



DRAIN/OVERFLOW