

TECHNICAL SPECIFICATIONS



Cetra® 532 Pure Air® II Bath

CET6032 ALR_2XX

Cetra 532 Pure Air® II Bath Left Hand (EB30)

INSTALLATION NOTES

Refer to installation instructions included with fixture before beginning installation. Please confirm product availability and specifications before commencing with any installation work.

PRODUCT SPECIFICATIONS AND AVAILABILITY ARE SUBJECT TO CHANGE WITHOUT NOTICE.

KEY DIMENSIONS

DIMENSIONS

60" L x 32" W x 21-1/4" H

(1524 mm) L x (813 mm) W x (553 mm) H

DRAIN/OVERFLOW

A: 18-1/2" (470 mm) B: 9" (229 mm)

CUTOUT

58" x 30"

(1473 mm x 768.4 mm)

TOTAL WEIGHT

771 lb (350 kg) / 58 lb/ft2 (283 kg/m2)

OPERATING GALLONAGE

Min. 47 U.S. Gal. (178 Liters)

Max. 62 U.S. Gal. (235 Liters)

PRODUCT WEIGHT

98 lb (44 kg)

SKIRT MOUNTING

Optional U-Frame: P/N F955

ELECTRICAL SPECIFICATIONS

Requires a dedicated GFCI protected separate circuit.

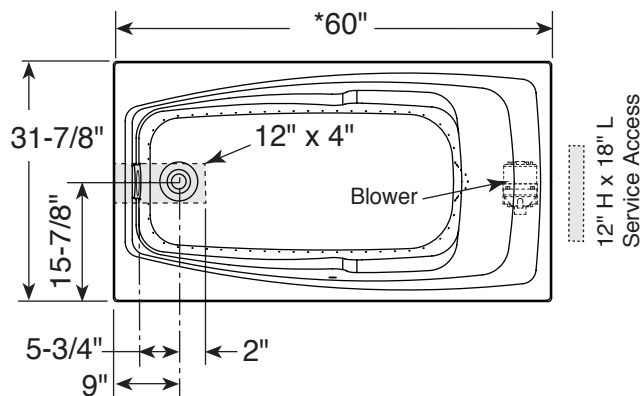
Blower: 120 VAC, 15 AMP, 60 Hz.

HEATER

No water heater is available on this unit. Blower has integral air heater.

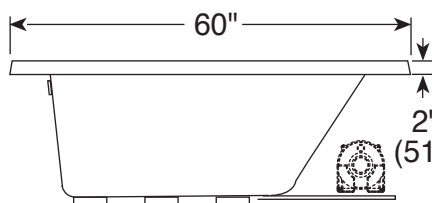
FEATURES, UPGRADES & ACCESSORIES

- Left hand Drain Location
- Accessories / Hardware:
 - Trip-Lever Drain Kit: #X559
 - Rotary Drain Kit, 26" Cable: #8730
- Trim Kit Finishes Available:
 - (827) – Chrome
 - (898) – Brushed Chrome
 - (815) – Satin Nickel
 - (829) – Bright Brass
 - (805) – Platinum
 - (826) – Brushed Nickel
 - (845) – Oil Rubbed Bronze

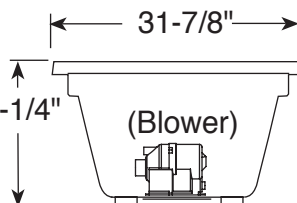


Product Shown: Cetra 532 Pure Air® II Bath Left Hand Model: EB30

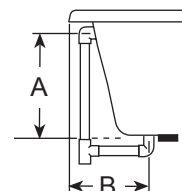
* Measurements inside unit represent cutout in floor to allow for drain/overflow. Minimum Service Access dimensions given.



END VIEW



SIDE VIEW



DRAIN/OVERFLOW