



Linea® 6632 Skirted Bathtub - Pure Air®

Letter	Description	Pure Air®
-	Drain Location	Left Hand / Right Hand
-	Pump Location	Opposite end of drain location
-	Cutout Template	N/A
-	Total Weight	938 lb (425 kg)
-	Floor Loading	64 lb/ft² (312 kg/m²)
-	Operating Gallons (Min/Max)	73 Gal (276 L)
-	Product Weight - Empty	78 lb (35 kg)
-	Soaking Depth	14.5" (368 mm)
L	Outer Length	66" (1676 mm)
W	Outer Width	32" (813 mm)
H	Overall Height	20.25" (514 mm)
J	Interior Dimensions Bottom of Bath (L x W)	50.3" x 22.4" (1278 mm x 569 mm)
K	Interior Dimensions Top of Bath (L x W)	57.9 x 24.7 (1471 mm x 627 mm)
L2	Interior Depth - Drain End	17.7" (450 mm)
A	Overflow Height	15.5" (394 mm)
B	Long Edge to Drain Center	16.0" (406 mm)
C	Short Edge to Drain Center	9.75" (248 mm)
D	Drain Shoe Length	7.5" (191 mm)
E	Flange Height	1.25" (32 mm)
F	Deck Width*	3.8" (97 mm)
G	Service Access Dimensions	No Service Access
I	Floor Cutout for Drain	12" x 4" (305 mm x 102 mm)
M	Backrest Angle	24°

NOTE

The overall dimensions are nominal with a tolerance of +0 and -.25" (6mm).

Electrical Specifications
(Each component requires a separate, dedicated GFCI protected circuit)

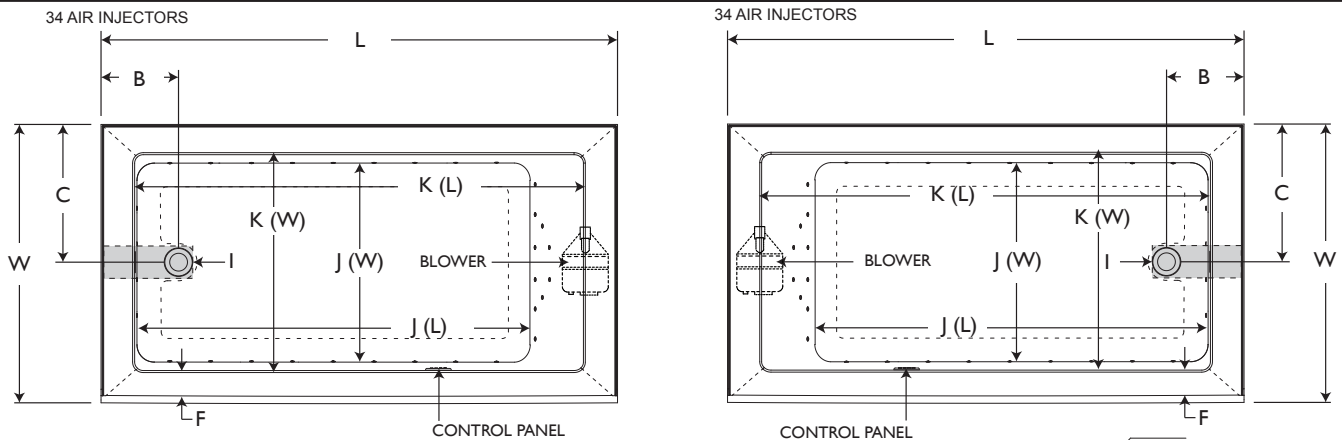
Blower 120V 15A 60HZ

Drain Kit:

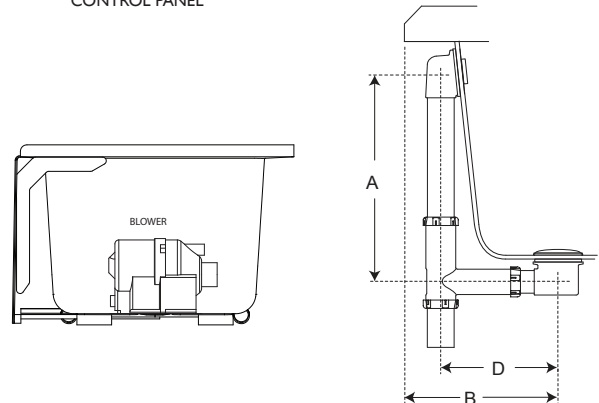
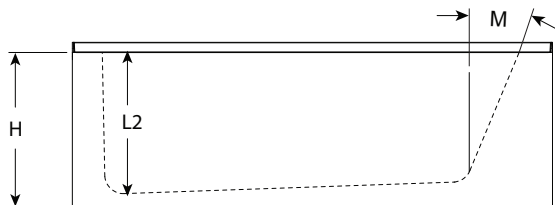
Must purchase one of the following:

- MF35826- Linear DWO Kit BN
- MF35827- Linear DWO Kit CHR
- MF35845- Linear DWO Kit ORB
- MF35959- Linear DWO Kit WHT

Key Dimensions



*Deck width reflects only area indicated on detail.



NOTE: Drawings not to scale.

©2018 Jacuzzi Luxury Bath • For additional information call Customer Service 800-288-4002 • www.jacuzzi.com/baths/

Refer to installation instructions included with fixture before beginning installation. Please confirm product availability and specifications before commencing with any installation work.

PRODUCT SPECIFICATIONS AND AVAILABILITY ARE SUBJECT TO CHANGE WITHOUT NOTICE.