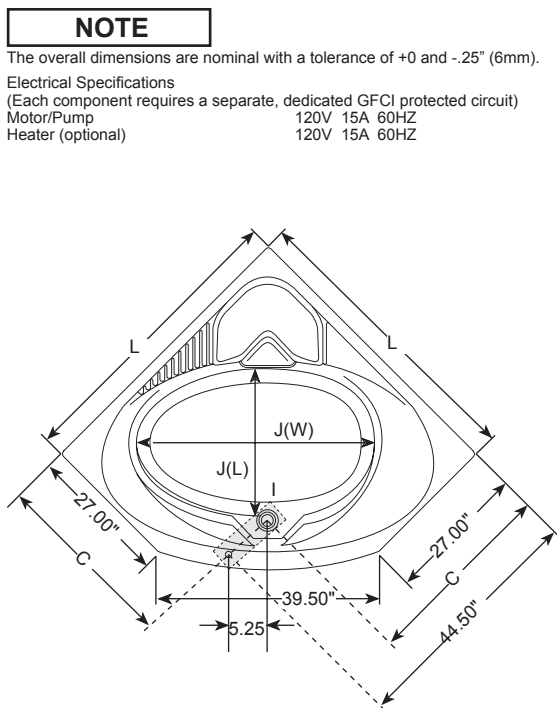
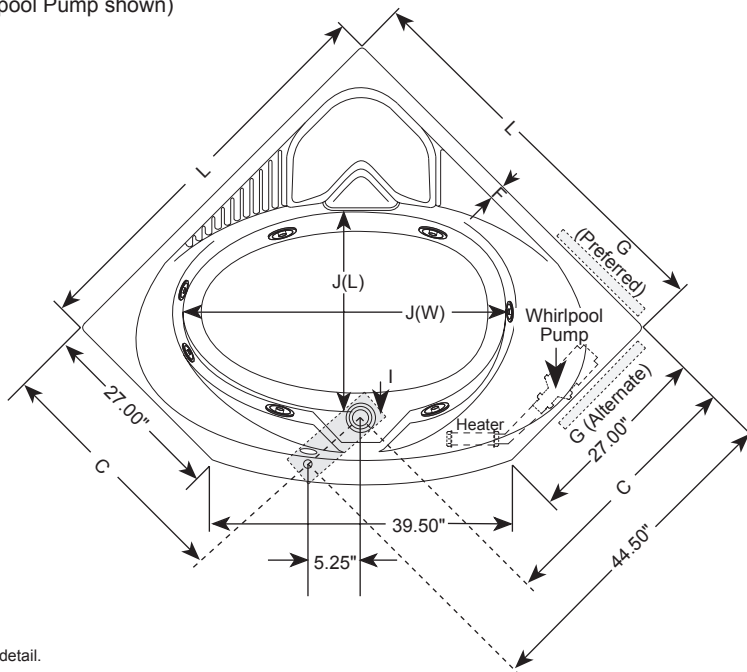


Capella® 5555 Whirlpool and Soaking Bathtubs

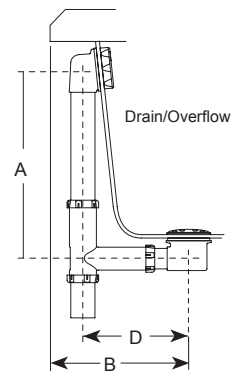
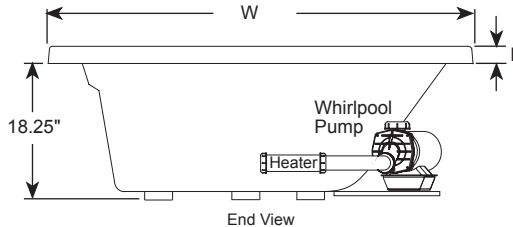
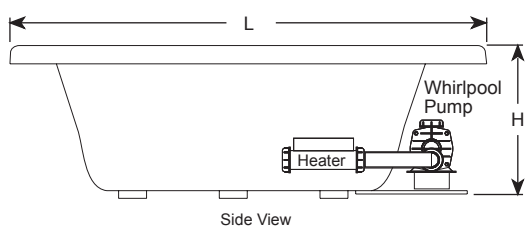
Letter	Description	Whirlpool	Soaking
-	Drain Location	Center Drain	
-	Whirlpool Pump Location	Right Hand	N/A
-	Cutout	P/N EX79000	
-	Total Weight	975 lb (442 kg)	950 lb (431 kg)
-	Floor Loading	46 lb/ft ² (225 kg/m ²)	45 lb/ft ² (220 kg/m ²)
-	Operating Gallons (Min/Max)	51Gal (204L) / 72 Gal (273L)	
-	Product Weight	125 lb (57 kg)	100 lb (45 kg)
L	Outer Length	55.00" (1397 mm)	
W	Outer Width	55.00" (1397 mm)	
H	Overall Height	20.25" (514 mm)	
A	Overflow Height	17.50" (445 mm)	
B	Long Edge to Drain Center	9.63" (245 mm)	
C	Short Edge to Drain Center	32.50" (826 mm)	
D	Drain Shoe Length		
E	Deck Height	2.00" (51 mm)	
F	Deck Width		
G	Service Access Dimensions	12.00" x 18.00" (305mm x 457mm)	N/A
I	Floor Cutout for Drain	12.00 x 4.00" (305 mm x 102 mm)	
J	Interior Dimensions (JW x JL)	28.00" x 44.00" (711 mm x 1118 mm)	


Corner Soaking Bathtub
Key Dimensions

(Center Drain / Right Side Whirlpool Pump shown)



*Deck width reflects only area indicated on detail.


NOTE: Drawings not to scale.