

Duetta® Technical Specifications for Heated Soak

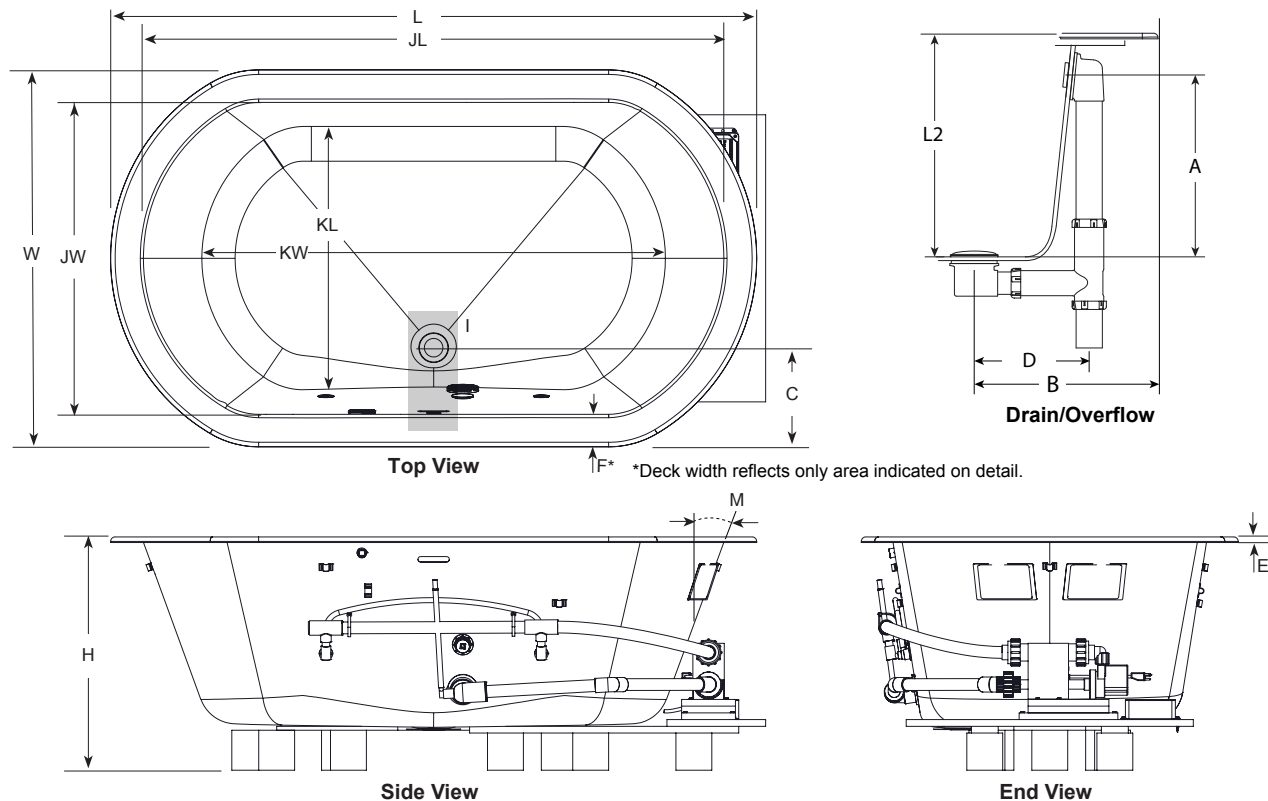
Letter	Description	6042	6636	6642	7242
-	Drain Location	Center Drain			
-	Pump Location	RH Pump			
-	Cutout Template	Template Provided P/N DA09000	Template Provided P/N DA08000	Template Provided P/N DA07000	Template Provided P/N DA06000
-	Drop-in Cutout Dimensions (L x W)	58" x 40" (1473 mm x 1016 mm)	64" x 34" (1625 mm x 863 mm)		70" x 40" (1778 mm x 1016 mm)
-	Total Weight	1031 lbs (468 kg)	994 lbs (451 kg)	1158 lbs (525 kg)	1265 lbs (574 kg)
-	Floor Loading	58 lb/ft ² (283 kg/m ²)	59 lb/ft ² (290 kg/m ²)	58 lb/ft ² (283 kg/m ²)	
-	Product Weight - Empty	90 lbs (41 kg)	86 lbs (39 kg)	100 lbs (45 kg)	115 lbs (52 kg)
-	Operating Gallons (Max)	80 gal (314.2 Liters)	79 gal (299 Liters)	97 gal (367.1 Liters)	108 gal (408.8 Liters)
-	Soaking Depth	17.5" (444.5 mm)			
L	Outer Length	60" (1524 mm)	66" (1676 mm)		72" (1829 mm)
W	Outer Width	42" (1067 mm)	36" (914 mm)	42" (1067 mm)	
H	Overall Height	26" (660 mm)			
A	Overflow Height	17.9" (445 mm)			
B	Long Edge to Drain Center	11" (279 mm)			
C	Short Edge to Drain Center	30" (762 mm)	33" (838 mm)	36" (914 mm)	
D	Drain Shoe Length	7.25" (184 mm)			
E	Deck Height	0.5" (13 mm)			
F	Deck Width*	3.875" (98 mm)			
G	Service Access Dimensions	12" x 18" (305 mm x 457 mm)			
I	Floor Cutout for Drain	12" x 6" (305 mm x 152 mm)			
J	Interior Dimensions (top of bath) JW x JL	39" x 23" (991 mm x 711 mm)	44" x 23" (1118 mm x 584 mm)	43" x 28" (1092 mm x 711 mm)	49" x 28" (1245 mm x 711 mm)
K	Interior Dimensions (bottom of bath) KW x KL	52.75" x 34.75" (1340 mm x 883 mm)	58.5" x 29.75" (1486 mm x 730 mm)		64.5" x 34.75" (1638 mm x 883 mm)
L2	Interior Depth- Drain End	21.25" (540 mm)			
M	Backrest Angle	20°			

Each component requires a separate, dedicated GFCI protected circuit

Model with components		GFCI Outlet (60Hz)
Heated Soak	Motor/Heater	120V/15A
	Motor/Heater w/ Chromatherapy	120V/15A

KEY DIMENSIONS* [NOTE: The overall dimensions are nominal with a tolerance of +0 and -.25" (6mm).]

*Right hand model shown. Left hand model is exact opposite.



Refer to installation instructions included with fixture before beginning installation. Please confirm product availability and specifications before commencing with any installation work.

PRODUCT SPECIFICATIONS AND AVAILABILITY ARE SUBJECT TO CHANGE WITHOUT NOTICE