



Jacuzzi® Item # PT62827 (CP) / PT62826 (BN) / PT62817 (MB)
PT62818 (BB)

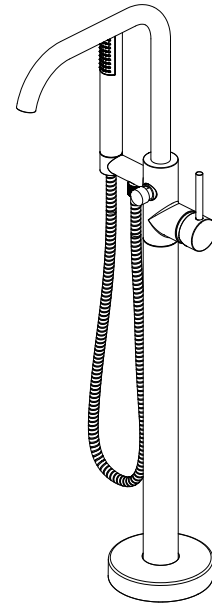
TUB FILLER FAUCET

MODEL # T67067-5001 / T67067-5004
T67067-507001 / T67067-508204

Questions, problems, missing parts? Before returning to your retailer, call our customer service department at 1-800-288-4002, 9 a.m. - 8 p.m., EST, Monday - Friday.

ATTACH YOUR RECEIPT HERE

Purchase Date _____



SAFETY INFORMATION

Please read and understand this entire manual before attempting to assemble, operate, or install the product.

WARNING:

- **JACUZZI FREESTANDING TUB FILLER ROUGH-IN MANIFOLD KIT (PT61000) REQUIRED FOR CONCRETE INSTALLATIONS**
- Follow the installation instructions carefully. Proper installation is the installer's responsibility.
- Failure to follow correct installation procedures can result in the faucet being loose, which can result in serious injury.

CAUTION:

- Check local building codes before beginning installation to ensure compliance.

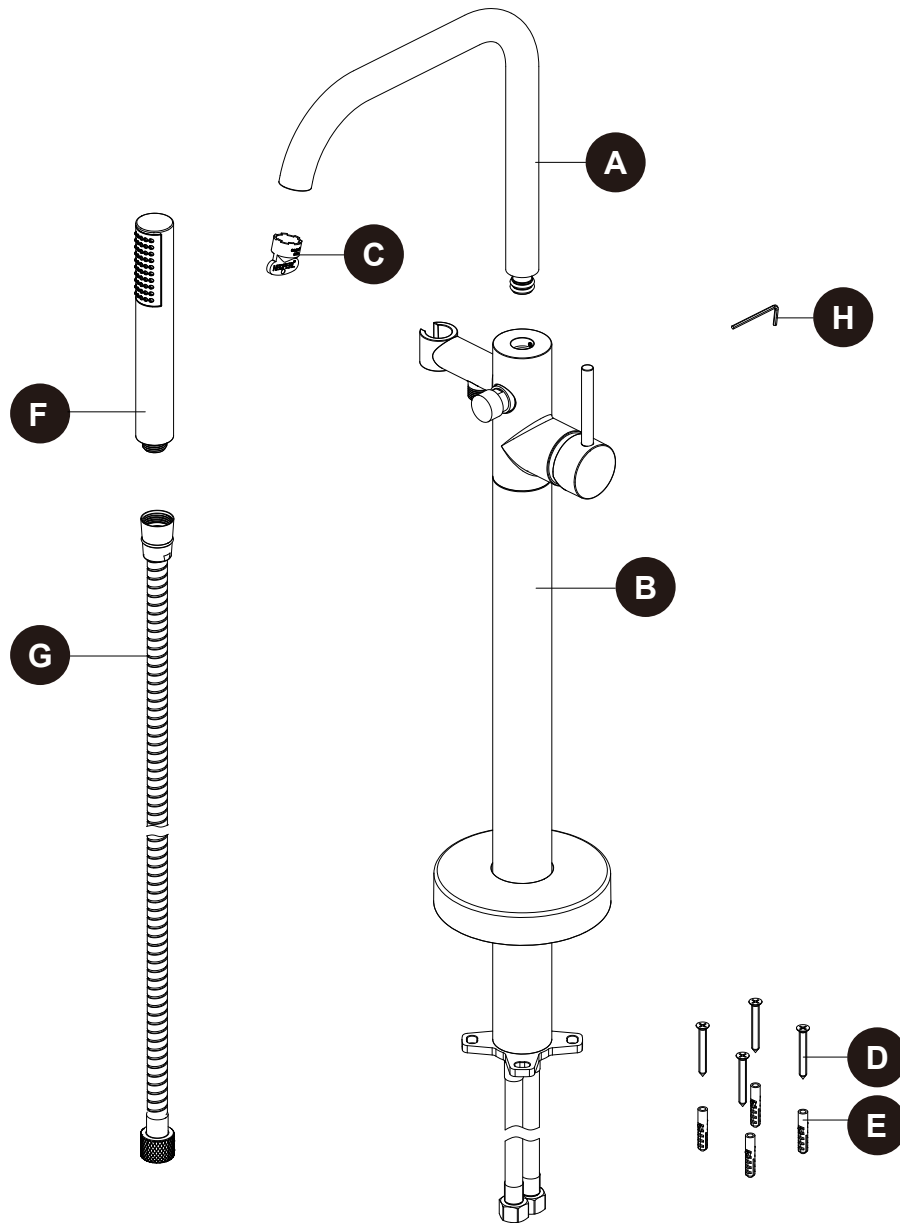
PREPARATION

Before beginning the assembly of this product, make sure all parts are present. Compare parts with the package contents and hardware contents list. If any part is missing or damaged, do not attempt to assemble the product.

Estimated Assembly Time: 90 minutes (including removal of old faucet)

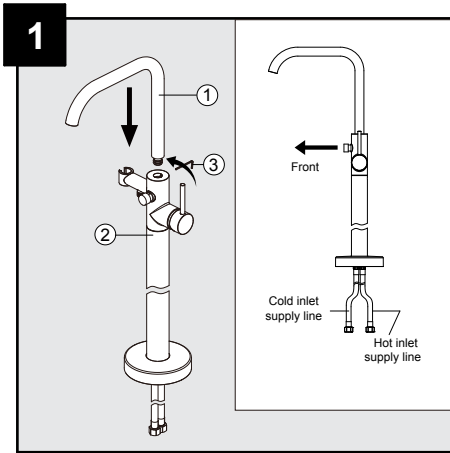
Tools Required for Assembly (not included): Adjustable Wrench, Phillips Screwdriver, Silicone Sealant, Pencil, Electric Drill

PACKAGE CONTENTS

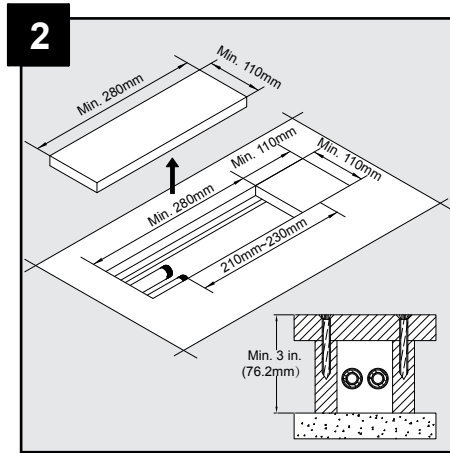


PART	DESCRIPTION	QUANTITY
A	Spout Assembly	1
B	Faucet Assembly	1
C	Plastic Wrench	1
D	Screw (ST6.3x1.8)	4
E	Anchor	4
F	Hand Shower	1
G	Shower Hose	1
H	2.5mm Hex Allen Wrench	1

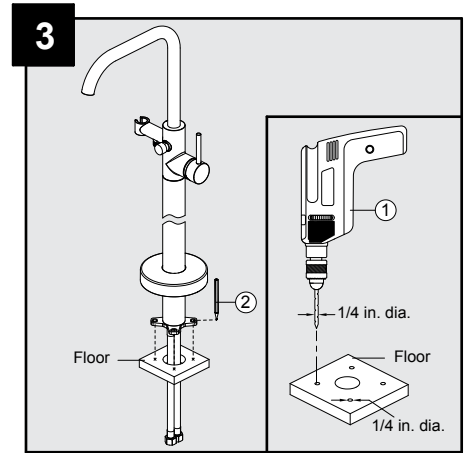
ASSEMBLY INSTRUCTIONS



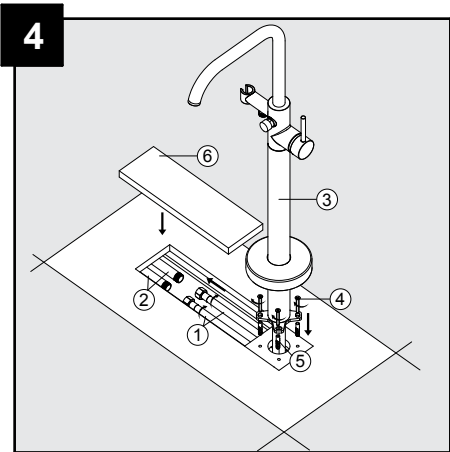
Insert the spout (1) into the faucet assembly (2). Rotate the spout (1) to align correctly with the faucet assembly (2) then tighten the set screw using hex wrench (3).
 Note 1: Do not reverse the hot and cold supply lines.
 Note 2: If installing in concrete the Freestanding Tub Filler Rough-in Manifold Kit (PT61000) is required.
 Note 3: If using PT61000 Rough-in Manifold Kit please skip to step 5A after the Rough-in Manifold Kit has been installed.



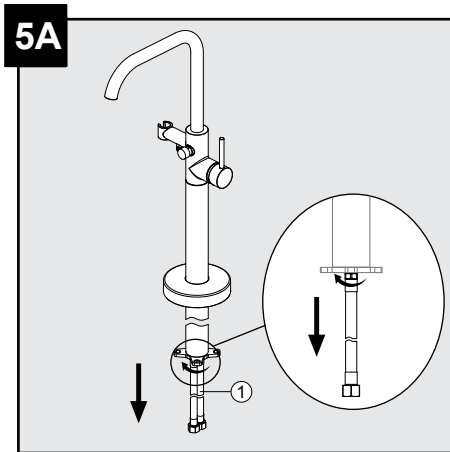
Cut a section of floor to run the plumbing as shown in the diagram.



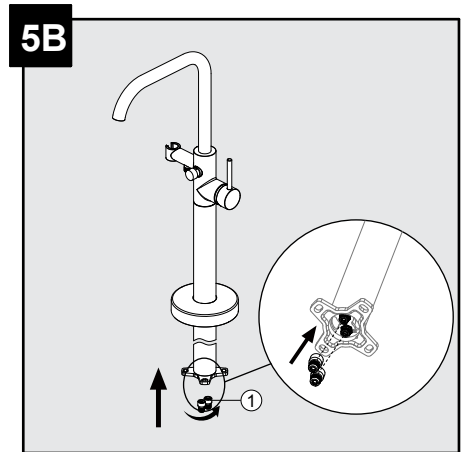
Drill a hole 2 1/4 in. diameter min. - 2 9/16 in. diameter max. in the floor with an electric drill (1). Lower the filler assembly over the hole and mark the locations for the screws with a pencil (2). Then drill four holes 1/4 in. diameter for the screws in the floor with an electric drill (1).



Insert supply hoses (1) through cut out hole drilled into floor / tile. Tighten the hose (1) into hot and cold water supply (2) using wrench. Secure stand pipe (3) using screws (4) and anchors (5). Do not use anchors (5) if securing into a wood floor. After installing, cover the floor (6). Continue to step 6.

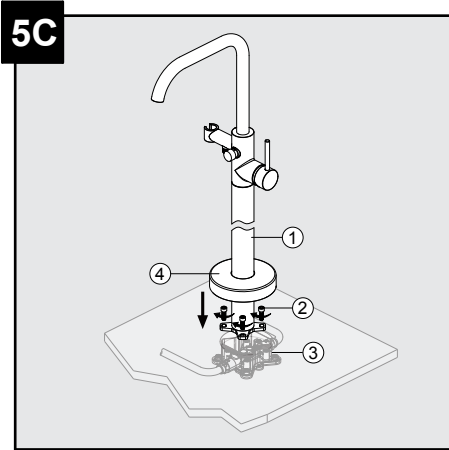


Loosen the supply hoses (1) using wrench.



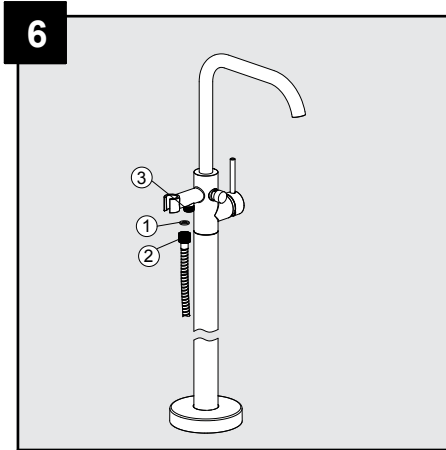
Screw the connectors (1, contained in SKU# PT61000) into faucet assembly using allen wrench .

ASSEMBLY INSTRUCTIONS

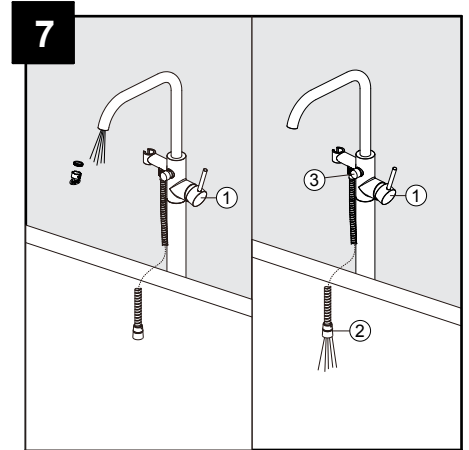


Align the faucet assembly (1) onto the rough-in body (3). Secure the faucet assembly (1) to the rough-in body (3) using bolts (2, contained in SKU# PT61000). Place the flange (4) over the standpipe and then push it to the base.

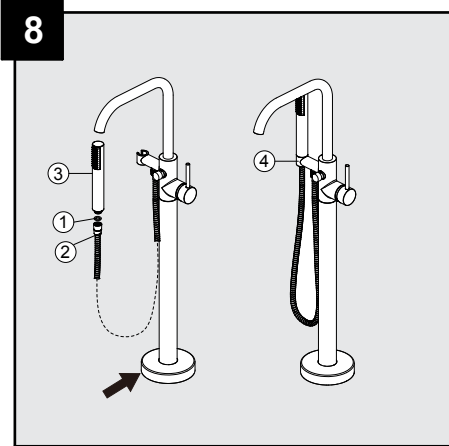
Note: Do not reverse the hot and cold water supply.



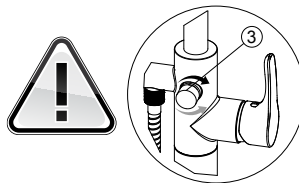
Make sure washer (1) is in hose end (2). Thread hose onto outlet (3) and tighten securely. Do not overtighten.



After installation is complete, remove the aerator to flush the water lines. Turn the supply lines on, and turn handle (1) to the full on mix position. Hold hose (2) inside tub and press the pin (3) to the bottom position. Flush faucet for 1 minute. If hose has gasket installed, use caution not to lose during flushing process. This flushes away any debris that could cause damage to internal parts. Check for leaks. After flushing, turn the handle all the way off to shut off the water and reinstall the aerator. The pin should now be in its normal position. Re-tighten any connections if necessary, but do not overtighten.



Make sure washer (1) is installed in hose end (2). Hand tighten hose onto hand shower (3). Place hand shower into holder (4). Inspect for leaks at arrows.



Diverter Instructions : To divert water from the faucet spout to the hand shower, push in the diverter pin (3) to the inward position. To divert water back to faucet spout, turn the water completely off, and then on again.

The diverter pin (3) will auto-reset back into the outward position. If the diverter pin (3) does not auto-reset back into the outward position, then gently rotate the diverter pin (3) button left or right while the water is shut off, and it should easily reset back to the outward position. CAUTION: While water is running through the hand shower, the diverter will not pull outward to reset to the faucet spout unless the water is shut off and turned on again. DO NOT FORCIBLY PULL THE DIVERTER PIN (3) OUTWARD WHILE WATER IS RUNNING. This can cause damage to the diverter pin (3) assembly.

CARE AND MAINTENANCE

- Clean periodically with a soft cloth. Avoid abrasive cleaners, steel wool, and harsh chemicals as these will dull the finish and void your warranty.

TROUBLESHOOTING

PROBLEM	POSSIBLE CAUSE	CORRECTIVE ACTION
There is a leak from under the handle or there is a leak from aerator when the faucet is off.	The cartridge is damaged.	Remove the handle and replace the cartridge.
There is a leak from aerator when the faucet is on.	The aerator does not fit correctly on the faucet.	1. Remove and reinstall the aerator. 2. Call customer service for a new aerator and replace it after you receive the new aerator assembly.
The aerator has an irregular or reduced water flow.	The aerator is dirty.	Remove the aerator and clear debris.
Hand shower leaks or has a low flow pattern.	Hand shower is dirty or damaged.	Remove the hand shower and check for any debris clogged at the shower connection, check the hand shower's spray nozzle for any build up or debris.

WARRANTY

The manufacturer warrants this faucet to be free from defects in workmanship and material present at time of shipment from the factory for a limited lifetime from the date of purchase. This warranty applies only to the original purchaser. The manufacturer agrees to correct such defects at no charge or, at our option, replace the faucet with a comparable or superior model. To obtain warranty service, call our customer service department at 1-800-288-4002 for return authorization and shipping instructions. You may be required to present a copy of your sales receipt as proof of purchase. All cost of removal and reinstallation are the expressed responsibility of the purchaser. Any damage to the faucet by accident, misuse or improper installation, or by affixing accessories not produced by the manufacturer, are the purchaser's responsibility. The manufacturer assumes no responsibility whatsoever for faucet installation during the warranty period. There is no further expressed warranty. The manufacturer disclaims any and all implied warranties. The manufacturer shall not be liable for incidental, consequential or special damages arising at or in connection with product use or performance except as may otherwise be accorded by law. This warranty gives you specific legal rights, and you may also have other rights which vary from state to state. This warranty supersedes all prior warranties.

REPLACEMENT PARTS LIST

For replacement parts, call our customer service department at 1-800-288-4002, 9 a.m. - 8 p.m., EST, Monday - Friday.

PART	DESCRIPTION
1	Hand Shower
2	Shower Hose
3	Aerator
4	Plastic Wrench
5	O-Ring
6	Cap
7	Diverter
8	Set Screw (M5x0.8-6g)
9	Cartridge
10	Screw
11	Bonnet Nut
12	Cap
13	Handle & O-ring
14	Set Screw (M5x0.8-6g)
15	Handle Seat
16	Screw
17	Anchor

