



# FREESTANDING BATHS

## INSTALLATION INSTRUCTIONS

Contents.....	1
Safety Instructions.....	2
Inspection and Testing.....	4
Sub Floor.....	4
Deck Mount Faucet Installation.....	4
Installation Instructions for 1-Piece Tub with Integral Overflow.....	4
Installation Instructions for 1-Piece Tub.....	5
Overflow Drain Hole Cutouts.....	5
Installation Instructions for 2-Piece Tub.....	6
Installation Instructions for Remote Blower.....	6
Installation Instructions for 2-Piece Tubs with Whisper+ Technology™ or Heated Soak.....	7
Installation Instructions for Bianca Whirlpool Drain Installation.....	8
Acrylic Bathtub Maintenance.....	9
Solid Surface Care and Cleaning Instructions.....	9
Notes.....	10
Warranty Registration Card.....	11

**Jacuzzi Luxury Bath**  
14525 Monte Vista Avenue  
Chino, California 91710

## Safety Instructions

### INSTRUCTIONS PERTAINING TO A RISK OF FIRE, ELECTRIC SHOCK, OR INJURY TO PERSONS.

This is a professional grade product. A knowledge of construction techniques, plumbing and electrical installation according to codes are required for proper installation and user satisfaction. We recommend that a licensed contractor perform the installation of all Jacuzzi Luxury Bath products. Our warranty does not cover improper installation related problems.



**CAUTION:** When using this unit, basic precautions should always be performed, including the following:

**READ AND FOLLOW ALL INSTRUCTIONS. SAVE THESE INSTRUCTIONS.**

- Use this unit only for its intended use as described in this manual. Do not use attachments not recommended by the manufacturer.
- Never drop or insert any object into any opening.



**WARNING: RISK OF ACCIDENTAL INJURY OR DROWNING!**

Do not permit children to use this unit unless they are closely supervised at all times. Do not use hydromassage bathtub unless all suction guards are installed to prevent body and hair entrapment. Never operate the hydromassage bathtub if the suction cover is broken, damaged or missing.



**DANGER: RISK OF SEVERE INJURY FROM ELECTRIC SHOCK OR DEATH FROM ELECTROCUTION!**

This unit must be connected only to a supply circuit that is protected by a 15 amp ground fault circuit interrupter (GFCI). Such a GFCI should be provided by the installer and should be tested on a routine basis. To test the GFCI, push the test button. The GFCI should interrupt power. Push the reset button. Power should be restored. If the GFCI fails to operate in this manner, the GFCI is defective. If the GFCI interrupts power to the bathtub without the test button being pushed, a ground current is flowing, indicating a possibility of an electric shock. Do not use this hydromassage bathtub. Disconnect the hydromassage bathtub and have the problem corrected by a qualified service representative before using.



**WARNING: RISK OF ELECTRIC SHOCK!**

Connect only to a circuit protected by a ground fault circuit interrupter (GFCI). (For permanently connected units) A green-colored terminal (or a wire connector) marked "G," "GR," "GROUND," or "GROUNDING" is provided within the terminal compartment. To reduce the risk of electric shock, connect the terminal or connector to the grounding terminal of your electric service or supply panel with a conductor equivalent in size to the circuit conductors supplying the equipment.



**CAUTION:** This equipment is intended for indoor use only. Install the equipment in accordance with these instructions. Use supply wires that are suitable for 167°F (75°C), including the temperature rating of the supply conductors to be used. This unit should be electrically grounded and installed by a licensed contractor, electrician, and plumber. Building materials and wiring should be routed away from the motor/pump or blower or other heat producing components of this unit. A pressure wire connector is provided on the exterior of the motor/pump and heater to permit connection of an No. 8 AWG solid copper bonding conductor between this unit and all other electric equipment and exposed metal in the vicinity, as needed to comply with local requirements.

### Important CSA Safety Instructions (Canadian models only)



When using this electrical equipment, basic safety precautions should always be followed, including the following:

1. WARNING: RISK OF ACCIDENTAL INJURY OR DROWNING! CHILDREN SHOULD NOT USE HYDROMASSAGE BATHTUB WITHOUT ADULT SUPERVISION.
2. WARNING: RISK OF ACCIDENTAL INJURY OR DROWNING! DO NOT USE HYDROMASSAGE BATHTUB UNLESS ALL SUCTION GUARDS ARE INSTALLED TO PREVENT BODY AND HAIR ENTRAPMENT.
3. WARNING: TO AVOID INJURY, EXERCISE CARE WHEN ENTERING OR EXITING THE HYDROMASSAGE BATHTUB.
4. WARNING: RISK OF ACCIDENTAL INJURY OR DROWNING! DO NOT USE DRUGS OR ALCOHOL BEFORE OR DURING THE USE OF A HYDROMASSAGE BATHTUB EQUIPPED WITH A HEATER TO AVOID UNCONSCIOUSNESS AND POSSIBLE DROWNING.
5. WARNING: RISK OF FETAL INJURY! PREGNANT OR POSSIBLY PREGNANT WOMEN SHOULD CONSULT A PHYSICIAN BEFORE USING A HYDROMASSAGE BATHTUB EQUIPPED WITH A HEATER.
6. WARNING: RISK OF HYPERTHERMIA AND POSSIBLE DROWNING: DO NOT USE A HYDROMASSAGE BATHTUB EQUIPPED WITH A HEATER IMMEDIATELY FOLLOWING STRENUOUS EXERCISE.
7. SAVE THESE INSTRUCTIONS.

**Safety Instructions (Continued)****WARNING: RISK OF HYPERTHERMIA AND POSSIBLE DROWNING!**

Do not use a hydromassage bathtub equipped with a heater immediately following strenuous exercise.

**WARNING: RISK OF ELECTRICAL SHOCK!**

- Do not permit electrical appliances (such as a hair dryer, lamp, telephone, radio or television) within 60" (1524 mm) of this hydromassage bathtub.
- Do not operate hydromassage system unless the bathtub is filled with water to at least 1-2" (25-51 mm) above the highest air hole.
- Do not immerse the control panel by overfilling the bathtub.
- When cleaning your bathtub, do not use abrasive substances which will damage the bathtub's surface.
- To prevent discoloration of the acrylic finish, do not fill the bathtub with water in excess of 140°F (60°C).

**WARNING: PROLONGED IMMERSION IN HOT WATER MAY INDUCE HYPERTHERMIA!**

Hyperthermia occurs when the internal temperature of the body reaches a level several degrees above the normal body temperature of 98.6°F (37°C). The symptoms of hyperthermia include an increase in the internal temperature of the body, dizziness, lethargy, drowsiness and fainting. The effects of hyperthermia include:

- A. Failure to perceive heat.
- B. Failure to recognize the need to exit the bathtub.
- C. Unawareness of impending hazard.
- D. Fetal damage in pregnant women.
- E. Physical inability to exit the bathtub.
- F. Unconsciousness resulting in danger of drowning.

**WARNING: RISK OF FETAL INJURY!**

Pregnant or possibly pregnant women should consult a physician before using a hydromassage bathtub equipped with a heater.

**WARNING:** The use of alcohol, drugs or medication can greatly increase the risk of fatal hyperthermia.

People using medications or having an adverse medical history should consult a physician before using a hydromassage bathtub equipped with a heater.

**WARNING:** The use of alcohol, drugs or medication can greatly increase the risk of fatal hyperthermia.

People using medications or having an adverse medical history should consult a physician before using a hydromassage bathtub equipped with a heater.



**WARNING:** Do not tamper with user-operated controls or such devices.



**WARNING:** Use this unit only for its intended use as described in this manual. Do not use attachments not recommended by the manufacturers.



**WARNING:** To avoid injury, exercise caution when entering or exiting the hydromassage bathtub.



**WARNING:** Do not use hydromassage bathtub unless all suction guards are installed to prevent body and hair entrapment. Never operate the hydromassage bathtub if the suction cover is broken, damaged or missing.



**WARNING:** Water temperature in excess of 104°F (40°C) may be injurious to your health. Check and adjust water temperature before use.



**CAUTION:** Test the ground fault circuit interrupter protecting this appliance periodically in accordance with manufacturer's instructions.



**IMPORTANT:** Read the complete instructions provided in this manual before beginning installation.

The Company has obtained applicable code (standards) listings generally available on a national basis for products of this type. It is the responsibility of the installer/owner to determine specific local code compliance prior to installation of the product. The Company makes no representation or warranty regarding, and will not be responsible for any code compliance. Product specifications are subject to change without notice.

## Inspection and Testing

### Visual Inspection

- 1 Remove the bathtub from the shipping carton. Be careful not to scratch the surface of the bathtub on exposed staples. Remove the staples or fold them into the carton. Retain the carton until satisfactory inspection of the product has been made. Do not lift the bathtub by the plumbing at any time; handle by the shell only.
- 2 Inspect the shell and bathtub components. Should inspection reveal any damage or defect in the finish or visible damage to any components, do not install the bathtub. Damage or defect to the finish claimed after the bathtub is installed is excluded from the warranty. Jacuzzi Luxury Bath's responsibility for shipping damage ceases upon delivery of the products in good order to the carrier.
- 3 Refer any claims for damage to the carrier. For definitions of warranty coverage and limitations, refer to the published warranty information packed with the product.


### Bathtub Water and Operational Test

All bathtub units are factory tested for proper operation and watertight connections prior to shipping. However, the unit must be retested by the installer prior to installation. Jacuzzi Luxury Bath is not responsible for any defect that could have been discovered, repaired, or avoided by following this inspection and testing procedure:

- 1 Place the bathtub on a level surface, near appropriate water supply, and water drainage. A driveway is a suitable choice.
- 2 Seal the drain and overflow hole with tape or a stopper and fill the bathtub to the bottom of the overflow hole.
- 3 Allow bathtub to stand for 5 minutes.
- 4 Visually inspect all joints for leaks. Do not install the bathtub if leaks are detected.
- 5 Return bathtub to box or otherwise protect from damage until time of installation.

### Sub Floor

Prepare the sub floor for the drain and ensure that the area is level.

- 1 The drain/overflow of the bathtub extends below the bottom of the bathtub. Identify the drawing in the Technical Specifications section that corresponds with your bathtub (available on [www.jacuzzi.com](http://www.jacuzzi.com)).
  - 2 Determine the location of the basin. The floor must be flat and level.
  - 3 Make appropriate cuts to the Sub floor to accommodate the drain.
-  Please refer to the drawing(s) in the Technical Specifications section that correspond to your bathtub.

### Deck Mount Faucet Installation

Faucet elements must be installed in the recommended area (Fig. 1). Please refer to the Technical Specifications that correspond to your bathtub model for the recommended faucet areas. Not all bathtub models are compatible with deck-mounted faucet installation. Before drilling, position faucet elements to make sure that they do not interfere with other components such as overflow, plumbing, or supply valves. Some bathtub models without the integrated overflow may require the Low-Profile Overflow Kit (MU66000) for centerset faucet installation. This kit is included with bathtub models that require it.

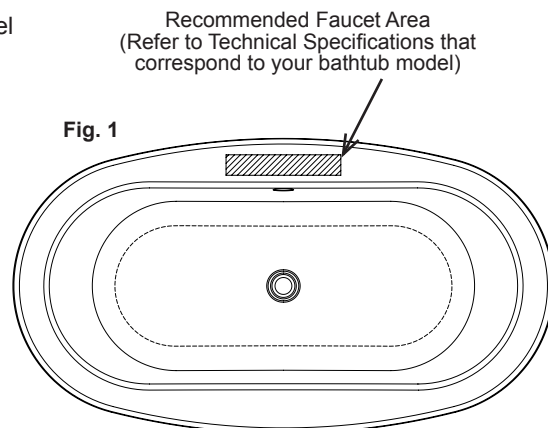
Faucet elements must be attached to a 36" (914 mm) long ½" stainless steel braided hoses so you can lift the bathtub when needed.

Apply masking tape on the finished side of the bathtub deck prior to drilling to prevent chipping. Follow the installation instructions provided by the faucet manufacturer, mark the locations of the faucet elements on the deck and drill the holes directly on the finished side.



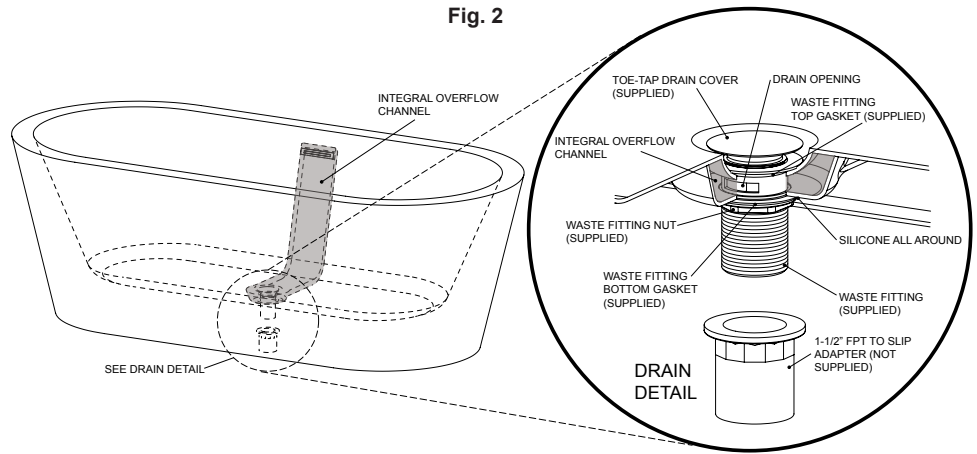
**CAUTION**

If installing the faucet on the same side as the overflow, make sure there is no interference between the two before drilling.



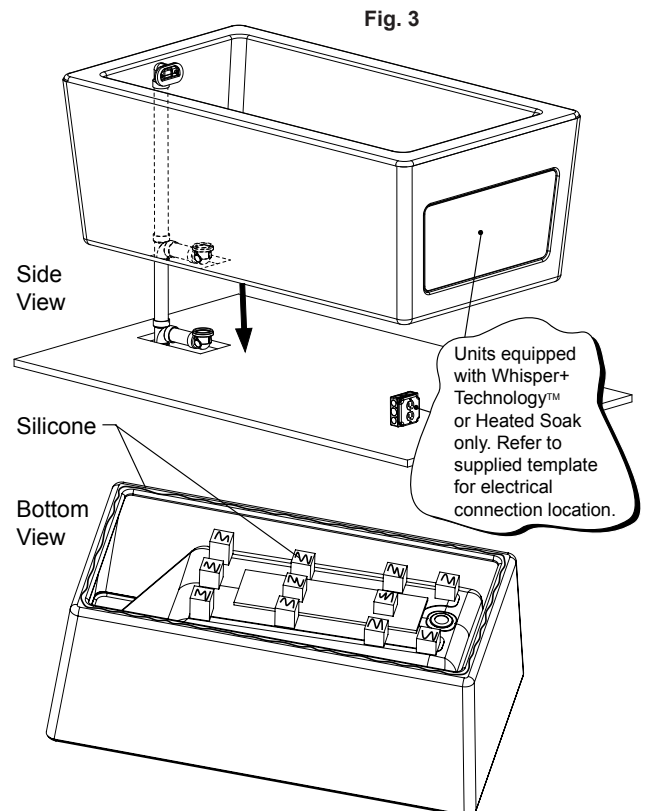
## Installation Instructions for 1-Piece Tub with Integrated Overflow

- 1 Install the metal drain/waste fitting (supplied with the tub) into the drain hole as illustrated (Fig. 2). Ensure that the drain opening on the waste fitting is situated in the integral overflow channel (Fig. 2).
- 2 Use clear silicone to adhere the bottom gasket to the underside of the integral overflow channel.
- 3 Secure the waste fitting with the supplied waste fitting nut. Apply thread sealant to the threads prior to inserting the nut. Overtightening the nut may cause shell damage. Ensure the drain opening on the waste fitting is not exposed after tightening of the nut.
- 4 Install a PVC thread adaptor (not supplied) to the metal waste fitting. This is to provide a PVC to PVC drain adapter connection protruding from the floor. Water test fitting for leaks before installation. NOTE: Use PVC Cement per ASTM D2564 on all PVC joints.



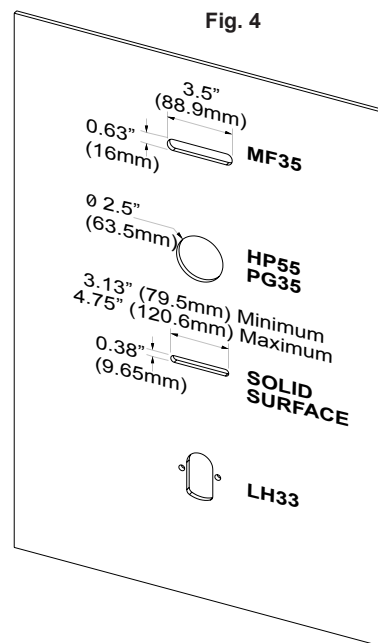
## Installation Instructions for 1-Piece Tub

- 1 Set the tub in its place and position precisely with respect to the drain-overflow location. Verify where the indentation for the drain is in relation to the drain-overflow. Use a marker to outline the perimeter of the entire tub directly on the floor (Fig. 3).
  - 2 Mark a trough for the overflow drain location on the floor. The drain/overflow extends below the bottom of the bath. The drain/overflow requires a cutout of the floor for providing space to accommodate the extension. Do not exceed the dimensions of the tub perimeter. When the above locations have been marked on the floor, remove the tub, set it aside and continue with the installation process.
  - 3 Prepare the drain/overflow trough according to the dimensions shown in the Technical Specifications section. The depth of the trough depends on the vertical extension of the drain elbow at the bottom of the plumbing below the floor level. Install the drain/overflow according to the manufacturer's instructions. Refer also to the Technical Specifications section.
- Watertight installation of the drain is the installer's responsibility. Drain leakage is excluded from the Jacuzzi Luxury Bath warranty of this product.
- 4 Before the tub may be secured to the floor, the following steps must be completed: Place the tub on the floor in relation to the drain/overflow. Place the tub on the floor and line up with the markings previously made on the floor.
- Floor-mounted or wall-mounted faucetry can be used exterior to the bath, this can be installed after the bath is installed into the floor.
- 5 Clean up debris left over from the construction steps taken thus far. Also, remove the perimeter outline of the template on the floor. Use silicone to attach tub to the sub floor. Make sure the tub is properly oriented according to the drain/overflow end.
- A bead of silicone sealant should be applied around the bottom of the tub. Carefully place the tub on the floor in the correct position and press to the floor. Place weights around the perimeter and allow the adhesive to cure before proceeding.



### Overflow Drain Hole Cutouts

Cutout (Fig. 4)	Drain Part Number
Linear Drain	MF35XXX
Rotary Drain	HP55XXX
Avvio Collection	Integral
Deep Soak Drain	LH33XXX
Slip Cover Drain	PG35XXX



### Installation Instructions for 2-Piece Tub

**1** Set the 2-piece tub in place and position it precisely with respect to the drain-overflow location. Verify where the indentation for the drain is in relation to the drain-overflow. Use a marker to outline the perimeter of the entire tub directly on the floor (Fig. 5).

**2** Mark a trough for the overflow drain location on the floor. The drain-overflow extends below the bottom of the bath. The drain-overflow requires a cutout of the floor for providing space to accommodate the extension. Do not exceed the dimensions of the tub perimeter.

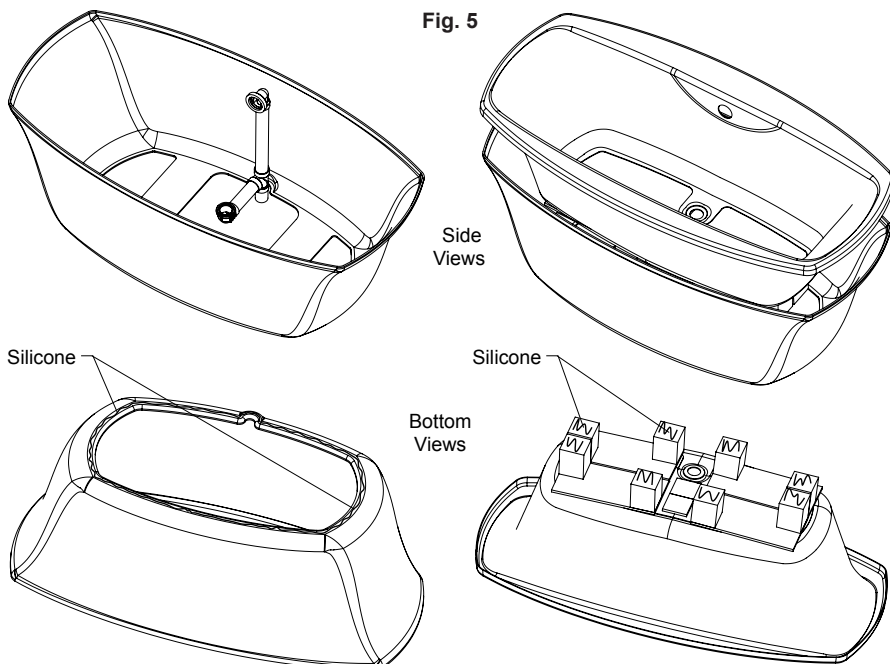
**3** When the above locations have been marked on the floor, remove the tub base (skirt), set it aside and continue with the installation process.

**4** Faucetry is not supplied with the freestanding bath. To use deck-mounted faucetry, flexible connection lines that are 72" in length must be used. These lines need to be installed prior to installing the bath into the skirt.

**5** When installing the faucet on the same side as the overflow, make sure there is no interference between the two before drilling.

**6** Use silicone to attach the tub skirt to the Sub floor. Make sure the tub is properly oriented according to the drain-overflow end. Place the tub skirt on the floor in relation to the drain/overflow. Place the tub skirt on the floor an line up with the markings previously made on the floor.

**7** Apply silicone to the foam feet or bottom of the adjustable feet. Carefully place the tub into the tub skirt in relation to the drain/overflow. Allow silicone to dry for 24-hours before entering and/or using the tub.

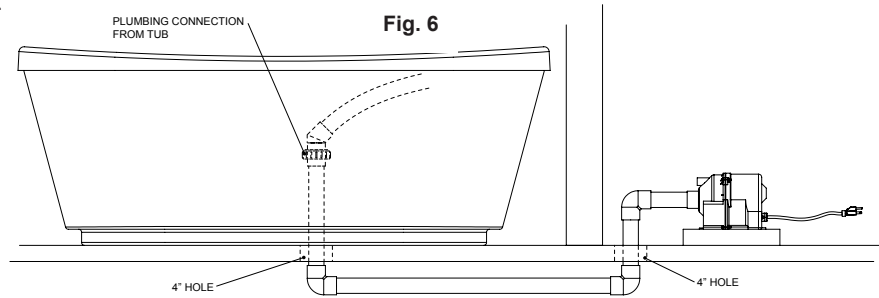




## Installation Instructions for Remote Blower

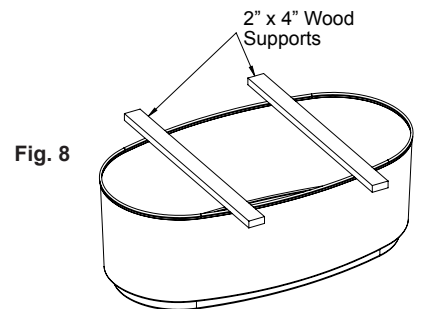
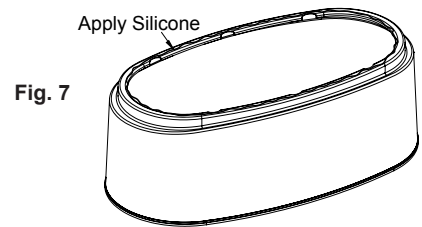
For ease of installation of remote blower and air line fittings, it is recommended there be access to the underside of the bathtub, either from above or below the sub floor.

- 1 Determine the locations for the blower and verify that access to blower and airline fittings will be possible after bathtub is installed. Blower location must be within 10 feet of the tub with no more than three elbows as illustrated (Fig. 6).
- 2 Use 1-1/2" schedule 40 PVC to connect the bathtub to the blower. Pipe connected directly to the blower should be secured with a stainless steel screw. Do not glue blower to the PVC.
- 3 The control cable provided with the tub is 25' long. Do not wrap the cable along the pipe from blower to bathtub.
- 4 Once airline fittings and control cable are connected to the blower, plug the blower into the outlet and test the operation before completing the installation.

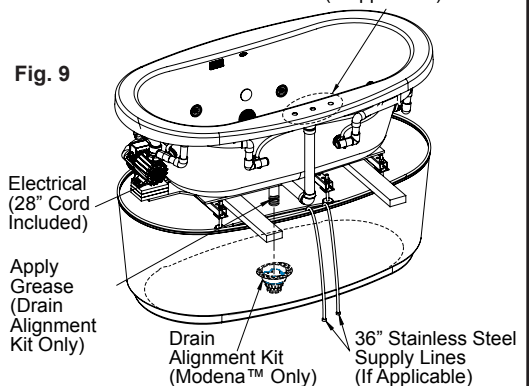


## Installation Instructions for 2-Piece Tubs Equipped with Whisper+ Technology™ or Heated Soak

- 1 After locating the drain alignment kit, electrical, and water supply lines with the supplied template (Modena™ only), use a marker to trace the inside footprint of the skirt in the location where the bathtub will be placed. Add silicone only to the bottom of the skirt and place back in the marked area (Fig. 7).
- 2 Install the overflow drain kit onto the bathtub with the supplied brass tailpiece that is included in the drain alignment kit (Modena™ only). Be sure to apply the supplied grease to the end of the tailpiece where it will connect to the drain alignment kit (Fig. 9).
- 3 Place (2) four foot long 2" x 4" wood supports across the top of the skirt. Position the wood supports evenly over the skirt as illustrated (Fig. 8). They will support the bathtub during the connection of the water supply lines and the electrical connection.
- 4 Place the bathtub onto the wood supports in the position that it will be lowered into the skirt (Fig. 9). The wood supports need to be positioned under the bathtub away from the foam blocks or adjustable brackets. Orient the bathtub properly with respect to the electrical outlet and the drain. Also, make sure the drain and overflow areas line up with the drain alignment kit.
- 5 Connect the flexible water supply lines to the faucets if using a deck mounted faucet. Make certain the valves are in the closed position. Turn on the water supply and check for leaks at all connections.
- 6 Connect the electrical plug to the dedicated GFCI-protected outlet.



Faucet Location (If Applicable)



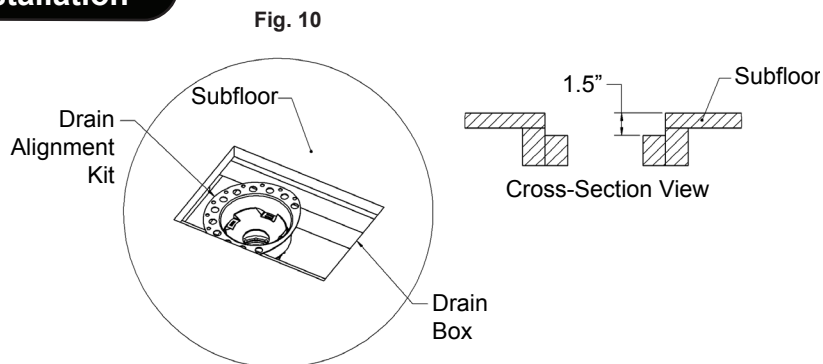
## Position Bathtub into Skirt

- 1 Lower the bathtub into place. Three people will be required to lower the bathtub into the skirt (one person at each end to lift the bathtub, and the third person to remove the two wood supports from the top of the bathtub skirt).
- Take care not to damage the brass tailpiece while lowering the bathtub into the skirt (Modena™ only).
- 2 Turn on power to the dedicated GFCI-protected circuit and check vsystem operations.

## Installation Instructions for Bianca Whirlpool Drain Installation

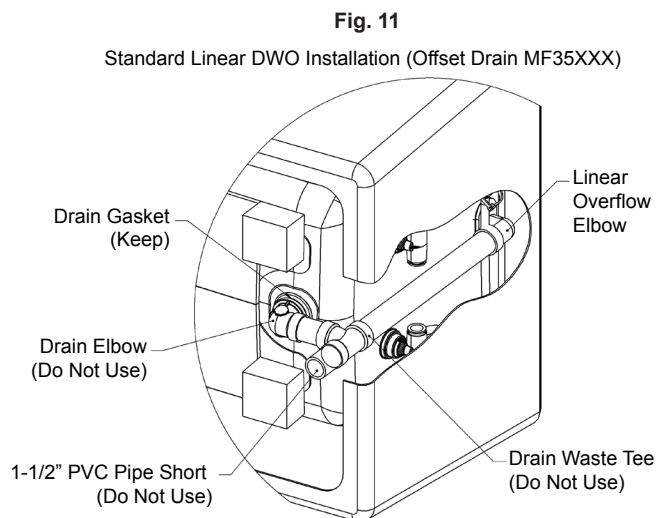
### Prepare Floor for Bianca Whirlpool Installation

- Using the supplied template, mark location where the tub is being installed. Then mark out the drain box as shown on the template.
- Cut out the drain box and recess the box minimum 1-1/2" below the subfloor (Fig. 10).
- Install the drain alignment kit into the drain box.



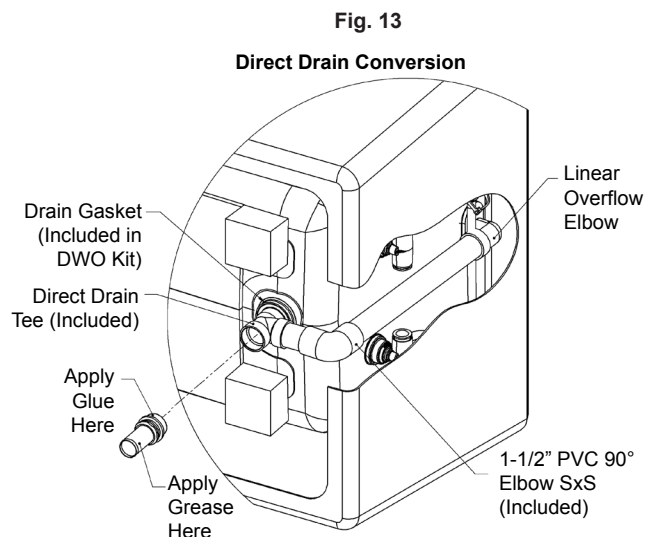
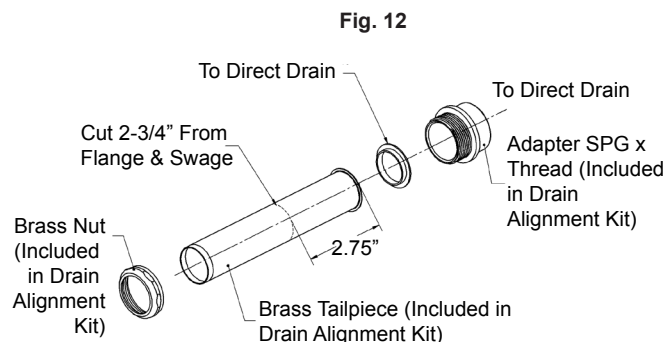
### Convert Linear DWO (MF35) to Direct Drain

- Unbox the Linear DWO (MF35) kit and set aside the following items: drain elbow, drain waste tee, and short piece of 1-1/2" PVC pipe. These items will not be needed for the conversion (Fig. 11).
- Locate the PVC adapter, brass tailpiece and nut from the drain alignment kit included in your tub. These will be used for the conversion.
- Cut the brass tailpiece to 2-3/4" in length. Deburr and roll the cut edge with a swage tool. Install components to the brass tailpiece as shown (Fig. 12).
- Install the Linear DWO with the items from the direct drain kit included in your tub as shown (Fig. 13). Make sure to use the drain gasket from the Linear DWO kit.
- Glue the brass tailpiece assembly to the direct drain as shown (Fig. 13).



### After Installing the Finished Floor

- Apply silicone to bottom flange of bath tub skirt. Apply grease to the brass tailpiece.
- Carefully lower the bath tub into place. Take care not to damage the brass tailpiece.





## Acrylic Bathtub Maintenance

### Cleaning The Bathtub

To clean the bathtub, use a mild Meguiar's nonabrasive liquid detergent solution. You can protect and restore the luster to a dulled acrylic surface by applying Meguiar's #10 Mirror Glaze, a product specifically designed for use on acrylic finishes.



Never use abrasive household cleaners of any kind on any Jacuzzi Luxury Bath product.

### Surface Repair

Minor scratches which do not penetrate the color finish can be removed by lightly sanding with #600-grit wet and dry sandpaper. Restore the gloss using Meguiar's Mirror Glaze. Major scratches and gouges which penetrate the acrylic surface will require refinishing. Call Jacuzzi Luxury Bath to find a service agent in your area.

## Solid Surface Care And Cleaning Instructions

Jacuzzi Luxury Bath solid surface baths are manufactured with non-porous and durable materials that, when properly cared for and cleaned, resist soil buildup and stains to a great degree. The unique blend of natural and man-made materials, while strong and beautiful, may contain very slight variances in color and surface texture throughout the tub. This is normal and a result of the handmade nature of the product. These baths have been engineered to withstand blemishes under normal use in a bathroom environment. Damage to the bath that results from improper use may void the warranty. Please operate and maintain the bath in accordance with all use and care instructions outlined in this manual. In the event that damage to the bath such as minor scratching to the surface is inadvertently incurred, a qualified professional may be able to restore the luster of the finish by lightly buffing out the imperfection. For recommended professionals, please contact Jacuzzi Luxury Bath.

To ensure proper care, follow these simple steps:

1. First clean with a mild dish soap and warm water; wipe clean with a soft, slightly damp cloth.
2. For more difficult stains such as grease, oil, paint or ink, apply rubbing alcohol; wipe clean with a soft, dry cloth.
3. Avoid abrasive cleansers and solvents, harsh chemicals or those containing lime removal elements. They may damage the finish and void the warranty.
4. Avoid abrasive scrubbing cloths or pads.
5. Avoid using razor blades or other sharp objects that might scratch the surface.
6. Avoid aftermarket bath products containing any sort of dye.
7. If unsure as to the suitability of a product's appropriateness for use with these baths, first test a very small amount of the product on an inconspicuous area of the bath before using on a visible surface.

#### **For Matte Finish Models (Observe these additional guidelines)**

For very difficult stains, Jacuzzi Luxury Bath recommends the following cleansers and materials: Mr. Clean Magic Eraser, Soft Scrub, Bon Ami or Gray Scotch Brite Pads (DO NOT use Green Scotch Brite Pads).

#### **For Gloss Finish Models (Observe these additional guidelines)**

An additional cleaning or polish using granite or high-gloss counter cleaners is an appropriate option. Jacuzzi Luxury Bath recommends the following cleansers and materials: Counter Magic. *Note: Avoid polishing the bath floor as this could result in a slippery, unsafe surface.*

**Notes:**



Jacuzzi Luxury Bath  
14525 Monte Vista Avenue  
Chino, California 91710



WARRANTY REGISTRATION CARD

To complete your registration, visit our website at www.jacuzzi.com or fill out and mail this card to the address printed on the other side within thirty (30) days from date of purchase in order for this warranty to take effect.



Purchaser's Name \_\_\_\_\_
Purchaser's Address \_\_\_\_\_
City \_\_\_\_\_ State \_\_ Zip \_\_\_\_\_
Home Phone: \_\_\_\_\_ Cell Phone: \_\_\_\_\_
Email: \_\_\_\_\_
Date of Purchase \_\_\_\_\_
Model Name \_\_\_\_\_
Serial Number \_\_\_\_\_
Dealer's Name \_\_\_\_\_
Dealer's Address \_\_\_\_\_

- 1. How did you first hear about this Jacuzzi® product?
2. Who first gave you specific information about this product (specifications, prices, etc.)?
3. What was the main reason for purchase?
4. Who finally decided which product you would buy?
5. Who installed?
6. What is the current market value of this property?
7. What is the age of the head of the household? Years
8. What other manufacturers did you consider?
9. How long did you shop before purchasing unit?
10. Approximately how long have you lived in this home?
11. Please indicate, approximately, the total annual income of your household.
12. Was your purchase process?
13. How technically aware were you of the patented Jacuzzi® jet system prior to your purchase?

Ninety-Day
Parts Only
Limited Warranty
On
Accessory(ies)