



INSTALLATION INSTRUCTIONS

Jacuzzi® Luxury Bath
14525 Monte Vista Avenue
Chino, CA 91710
1-800-288-4002
www.jacuzzi.com



Table of Contents

Product Information 2

Important Safety Instructions 3

Inspection and Testing 4

Framing and Support 5

Electrical Connections 6

Chromatherapy Operation 7

Installation Procedures 7

Cleanup After Installation 12

Cleaning 12

Maintenance 12

Authorized Service 13

Warranty Limited Lifetime Warranty on Jacuzzi® Branded Baths for the Comfort, and Luxury Collections 14

Product Information

Save these instructions for future use. Use the form below to record your model and serial number for future reference.

Date Purchased _____

Purchased From _____

Installed By _____

Serial Number _____

Model _____

Installer: Leave the manual for the homeowner.
Homeowner: Read this manual and keep for future reference.

Important Safety Instructions

This is a professional grade product. A working knowledge of construction techniques, plumbing and electrical installation according to codes are required for proper installation and user satisfaction. We recommend that a licensed contractor perform the installation of all Jacuzzi® products. Our warranty does not cover improper installation related problems.

READ AND FOLLOW ALL INSTRUCTIONS. SAVE THESE INSTRUCTIONS. Use this unit only for its intended use as described in this manual. Do not use attachments not recommended by the manufacturer. Never drop or insert any object into any opening.

⚠ DANGER: RISK OF ACCIDENTAL INJURY OR DROWNING! Do not permit children to use this unit unless they are closely supervised at all times. Do not use hydromassage bathtubs unless all suction guards are installed to prevent body and hair entrapment.

⚠ DANGER: RISK OF SEVERE INJURY FROM ELECTRIC SHOCK OR DEATH FROM ELECTROCUTION! This unit must be connected only to a supply circuit that is protected by a 15 amp ground fault circuit interrupter (GFCI). Such a GFCI should be provided by the installer and should be tested on a routine basis. Follow the manufacturer's instructions when testing the GFCI. The GFCI should interrupt power. Push the reset button. Power should be restored. If the GFCI fails to operate in this manner, the GFCI is defective. If the GFCI interrupts power to the bathtub without the test button being pushed, a ground current is flowing, indicating a possibility of an electric shock. Do not use this hydromassage bathtub. Disconnect the hydromassage bathtub and have the problem corrected by a qualified service representative before using.

⚠ DANGER: RISK OF ELECTRIC SHOCK! Do not permit electrical appliances (such as a hair dryer, lamp, telephone, radio or television) within 60" (1524 mm) of this hydromassage bathtub. Connect only to a circuit protected by a ground fault circuit interrupter (GFCI). (For permanently connected units) A green colored terminal (or a wire connector) marked "G," "GR," "GROUND," or "GROUNDING" is provided within the terminal compartment. To reduce the risk of electric shock, connect the terminal or connector to the grounding terminal of your electric service or supply panel with a conductor equivalent in size to the circuit conductors supplying the equipment.

⚠ WARNING: PROLONGED IMMERSION IN HOT WATER MAY INDUCE HYPERTHERMIA! Hyperthermia occurs when the internal temperature of the body reaches a level several degrees above the normal body temperature of 98.6°F (37°C). The symptoms of hyperthermia include an increase in the internal temperature of the body, dizziness, lethargy, drowsiness and fainting. Water temperature in excess of 104°F (40°C) may be injurious to your health. Check and adjust water temperature before use. The effects of hyperthermia include:

- A. Failure to perceive heat.
- B. Failure to recognize the need to exit the bath.
- C. Unawareness of impending hazard.
- D. Fetal damage in pregnant women.
- E. Physical inability to exit the bath.
- F. Unconsciousness resulting in danger of drowning.

⚠ DANGER! This equipment is intended for indoor use only. Install the equipment in accordance with these instructions. Use supply wires that are suitable for 167°F (75°C), including the temperature rating of the supply conductors to be used. This unit should be electrically grounded and installed by a licensed contractor, electrician, and plumber. Building materials and wiring should be routed away from the motor/pump or blower or other heat producing components of this unit. A pressure wire connector is provided on the exterior of the motor/pump and heater to permit connection of an No. 8 AWG solid copper bonding conductor between this unit and all other electric equipment and exposed metal in the vicinity, as needed to comply with local requirements.

⚠ DANGER! RISK OF SEVERE INJURY OR DEATH! Risk of fetal injury. Pregnant or possibly pregnant women should consult a physician before using a hydromassage bathtub equipped with a heater.

⚠ DANGER! RISK OF SEVERE INJURY OR DROWNING! Keep body and hair a minimum of 6" (152 mm) away from the suction fitting at all times when the hydromassage system is in operation. Hair longer than shoulder length should be secured close to the head.

⚠ CAUTION! Do not immerse the control panel by overfilling the bath.

Important Safety Instructions (cont.)

⚠ WARNING! RISK OF SEVERE INJURY! To avoid injury, use care when entering and exiting the hydromassage bathtub

⚠ CAUTION! Do not use drugs or alcohol before or during the use of a hydromassage bathtub equipped with a heater. People using medications or having an adverse medical history should consult a physician before using a hydromassage bathtub equipped with a heater. Possible drowning may occur.

⚠ WARNING! RISK OF SEVERE INJURY OR DEATH! Do not use a hydromassage bathtub equipped with a heater immediately following strenuous exercise.

⚠ CAUTION! TO DECREASE RISK OF PRODUCT DAMAGE. Use this unit only for its intended use as described in this manual. Do not use attachments not recommended by the manufacturers. Do not tamper with user-operated controls or such devices.

SAVE THESE INSTRUCTIONS.

Jacuzzi Luxury Bath (the "Company") has obtained applicable code (standards) listings generally available on a national basis for products of this type. It is the responsibility of the installer/owner to determine specific local code compliance prior to installation of the product. The Company makes no representation or warranty regarding, and will not be responsible for any code compliance. Product specifications are subject to change without notice.

Inspection and Testing

1. Remove the bathtub from the shipping carton. Be careful not to scratch the surface of the bathtub on exposed staples. Remove the staples or fold them into the carton. Retain the carton until satisfactory inspection of the product has been made. Do not lift the bathtub by the plumbing at any time; handle by the shell only.
2. Inspect the shell and bathtub components. Should inspection reveal any damage or defect in the finish or visible damage to any components, do not install the bathtub. Damage or defect to the finish claimed after the bathtub is installed is excluded from the warranty. The responsibility of Jacuzzi Luxury Bath for shipping damage ceases upon delivery of the products in good order to the carrier.
3. Refer any claims for damage to the carrier. For definitions of warranty coverage and limitations, refer to the published warranty information packed with the product or in the back of this manual.

Bathtub Water and Operational Test

All bathtub units are factory tested for proper operation and watertight connections prior to shipping. However, the unit must be retested by the installer prior to installation. Jacuzzi Luxury Bath is not responsible for any defect that could have been discovered, repaired, or avoided by following this inspection and testing procedure:

1. Place the bathtub on a level surface, near appropriate electrical supply, water supply, and water drainage. A driveway is a suitable choice.
2. Cover the drain and overflow hole with tape or a stopper and fill the bathtub to the bottom of the overflow hole.
3. Allow bathtub to stand for 5 minutes.
4. Plug in motor/pump and turn unit on. Confirm that all features function as described in the Operation section of this manual. Do not install the bathtub if bathtub fails to operate as described.
5. Visually inspect all joints for leaks. Do not install the bathtub if leaks are detected.
6. Return bathtub to box or otherwise protect from damage until time of installation.

Framing and Support

READ ALL INSTALLATION INSTRUCTIONS COMPLETELY. IMPROPER INSTALLATION WILL VOID THE WARRANTY.

The floor structure beneath the bathtub must be able to support the total weight of the bathtub, water and bather. Consult a structural engineer.

IMPORTANT!

Make sure that walls and floors meet fire safety requirements of local building code and/or FHA/HUD Minimum Property Standards.

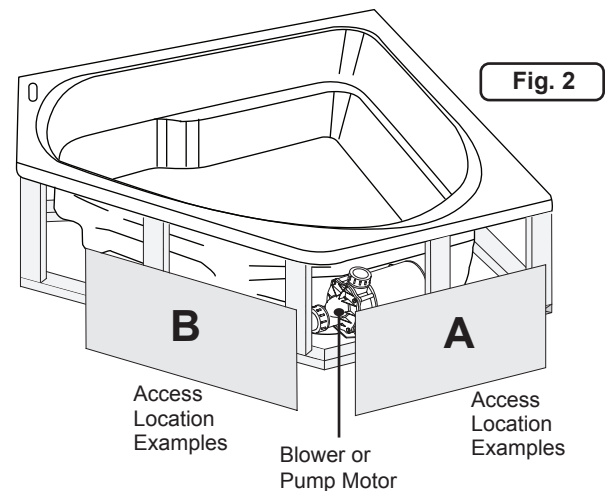
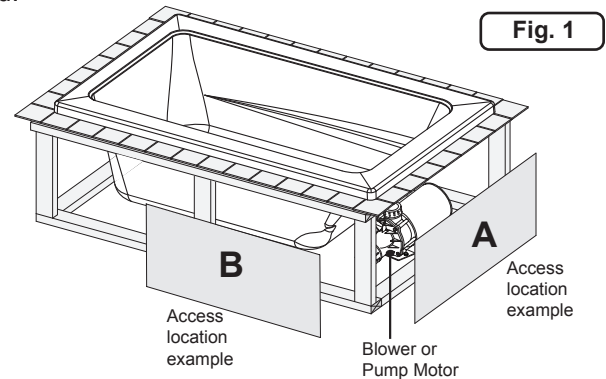
Observe all governing codes and ordinances.

1. Proper installation is your responsibility. Have a qualified technician install this bath.
2. Installation using a ground-fault circuit-interrupter (GFCI) is required.
3. It is the customer's responsibility:
 - To contact a qualified electrical installer.
 - To assure that electrical installation is adequate and in conformance with National Electrical Code (NEC).

A Technical Specifications Manual has been included with your bathtub. It contains pertinent information regarding your Jacuzzi® product. Locate the Technical Specifications Manual at this time.

Frame out the space where the bathtub is to be located. The following should be taken into consideration when preparing the area:

- Dimensions provided on rough-in diagrams are nominal. Measure your actual unit upon receipt and build according to the actual dimensions.
- Finished alcove must have correct interior dimensions, as shown in the key dimension section in the Technical Specifications Manual, to properly install unit.
- For three wall alcove installations, use an integral molded three-sided tiling flange bathtub. When using the optional tile flange, refer to instructions that are included with kit.
- In remodeling, if necessary, add studs at each end to provide a vertical nailing surface for the side nailing flanges of bath fixture product.
- To avoid obstructions during installation make sure that supply lines, spout pipe and valve plumbing do not project into alcove.
- Bathtubs require a 6" x 12" (150 mm x 305 mm) floor opening for the 1 ½" (38 mm) drain, waste and overflow (DWO) kit.
- Be sure floor opening location matches bathtub fixture drain location.
- Use of casting plaster/plaster of paris (foundation material) is recommended in all commercial structures (i.e. hotels, motels, dormitories, health clubs, etc.).
- The unit must be supported from the bottom of the bathtub and not from the bathtub rim.
- Per UPC code, access must be provided to the pump/motor for your specific model (Figure 1 and Figure 2).
- Provide adequate ventilation for cooling and supply sufficient air for the pump/motor. Do not insulate around the equipment.
- It is the responsibility of the installer, building contractor or owner to provide access for service. Jacuzzi is not responsible for any costs relating to obtaining access for repair. The owner shall bear such costs and, if appropriate, must seek recovery from the installer.



A = Primary access (required)
B = Secondary access for equipment (optional)

Illustrations above shown with framing exposed for clarity.

IMPORTANT: Left hand unit access is on the opposite side (mirror)

Framing and Support (cont.)

Subfloor

Prepare the subfloor for the drain and ensure that the area is level.

1. The drain/overflow of the bathtub extends below the bottom of the bathtub. Identify the drawing in the Technical Specifications Manual that corresponds with your bathtub.
2. Make appropriate cuts to the subfloor to accommodate the drain.
3. The Jacuzzi Tru-Level® base is a standard feature on all bathtubs. If the subfloor is level and a continuous surface, no other preparation is necessary. Proceed to the “Electrical Connections” section.
4. If the subfloor is not level, you must level the entire surface prior to installing the bathtub. The materials used will insure that the bathtub is supported from the bottom. These materials include: leveling compound, mortar, plaster or minimal expansion structural foam (having a density of a minimum 5 lbs/cubic foot). The bathtub must remain level in order for it to drain properly and must make contact with the leveling material. Both sides of a joint or splice of subfloor should be level to each other.

Electrical Connections

⚠ DANGER: RISK OF ELECTRIC SHOCK! Connect only to a circuit protected by a GFCI (Figure 3).

⚠ CAUTION! Electrical outlet must be mounted 4" (101 mm) above the floor line and 12" max (305 mm) inside from the edge of the bathtub (Figure 3), or in accordance with local building and electrical codes.

⚠ CAUTION! Risk of component overheat. Do not use electric extension cord to power this unit. Operating the pump without enough water in the bathtub can cause permanent damage to the pump/motor.

If the GFCI unit indicates a malfunction, per manufacturer’s instructions, turn OFF power and do not attempt to use the bathtub until the source of the problem has been identified and corrected.

NOTES: When using electrical products, basic precautions should always be followed. Always follow local building and electrical codes. Grounding is required. The unit should be installed and grounded by a qualified electrician.

CANADIAN MODELS ONLY: The components must be hard wired in the J-Boxes (supplied) that are located on the unit.

See Technical Specifications Manual for electrical requirements.

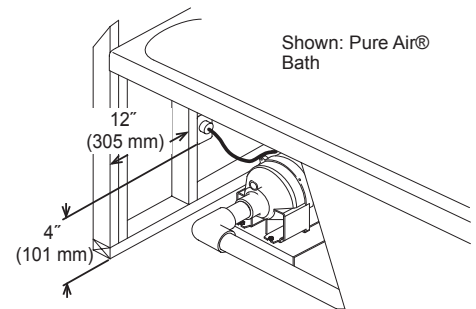
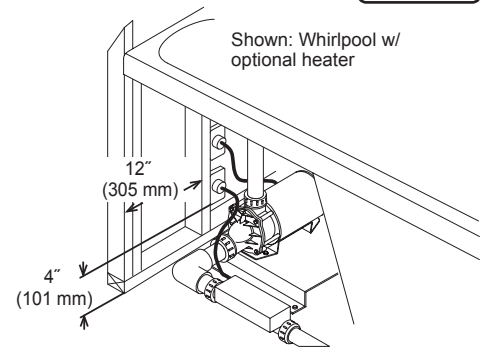
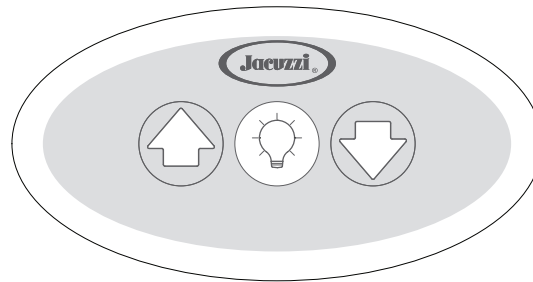


Fig. 3



Chromatherapy Operation



- Press once to activate color lighting.
- Press a second time to activate solid White color.
- Press a third time to turn OFF.

NOTE: The Up and Down buttons can be used to select colors or intensity.



- Press button to activate the color blending feature.
 - Light sequence is as follows: Blue, Teal, Green, Yellow, Orange, Red, Pink, Purple.
 - To select a solid color press the Up button when the color is displayed.
 - Solid White color only: pressing will increase the light intensity
- NOTE:** Default lighting color is solid Blue.



- Press button to activate the color blending feature.
 - Light sequence is as follows: Purple, Pink, Red, Orange, Yellow, Green, Teal, Blue.
 - To select a solid color press the Down button when the color is displayed.
 - Solid White color only: pressing will decrease the light intensity
- NOTE:** Default lighting color is solid Blue.

If Chromatherapy fails to work:

- Reset the GFCI.
- Ensure the plug is fully in the outlet.
- Ensure the connectors to the control panel and control box are fully engaged in receptacles.
- Contact your electrician to ensure the proper wiring and power is being supplied to the GFCI.
- Contact Jacuzzi Luxury Bath if the above does not resolve the issue.

Installation Procedures

General Procedures for All



DANGER: Risk of electric shock! Turn off the power supply to the GFCI protected circuit.



Before you begin your installation, please read the following:

- Observe all local and building codes.
- Determine which tools will be used during the installation.
- Additional bathtub drain parts and plumbing are commercially available at plumbing and hardware stores.

1. Install drain/overflow according to the manufacturer's instructions. Refer also to the Technical Specifications Manual.



Watertight installation of the drain is the installer's responsibility. Drain leakage is excluded from the Jacuzzi Luxury Bath warranty of this product.

2. Install the faucet at this time (if applicable). It is recommended that the faucet be installed by a qualified plumber. See special notes on freestanding section for faucetry.



Proper installation of the spout plumbing and compliance with local codes are the responsibility of the installer. Jacuzzi Luxury Bath does not warrant connections of water supply fittings and piping, fill systems, or drain/overflow systems. Nor is it responsible for damage to the bathtub which may occur during installation.



A non-flammable protective barrier must be placed between the soldering work and the bathtub unit to prevent damage to the bathtub.

Installation Procedures (cont.)

- Sufficient clearance must be provided for access to service connections (pump/motor, controls, heater plumbing and electrical hook ups).
- Bottom support materials: Casting plaster/plaster of paris (herein referred as foundation materials) are not necessary but its use is highly recommended for a firmer bottom support. In a bucket, mix foundation material. Place a large mound of plaster on the subfloor, in the approximate location of the tub bottom center. The mounds should be placed high enough so that when the tub is set, it will cause the plaster to displace and spread.

Drop-in Installation

- Prepare the cut-out hole for the bathtub using either the provided full scale template or the cut-out dimensions listed in the Technical Specifications Manual.

⚠ The template may show guides for more than one bathtub, be certain to select the appropriate guide lines. If undermounting is an option, be careful to select the guide lines that apply to the installation that you are performing.

- Complete all deck finish work and cover to protect from damaging while placing the bathtub.
- Place a piece of scrap lumber on each of the ends of the cutout – this will be used as a temporary support prior to lowering the bathtub fully into the opening (Figure 4).
- Install the unit, for units equipped with a motor/pump and/or a blower, insert the motor/pump end first, lowering the bathtub into the opening (Figure 5).
- The bathtub must be set level. To check, use a level on top of the ledges on both ends of tub and on top of threshold (Figure 6).
- Turn on the power supply to the dedicated GFCI protected circuit and check system for operation.
- Caulk around the perimeter of bathtub to seal the space between the rim and the finished deck (Figure 7).

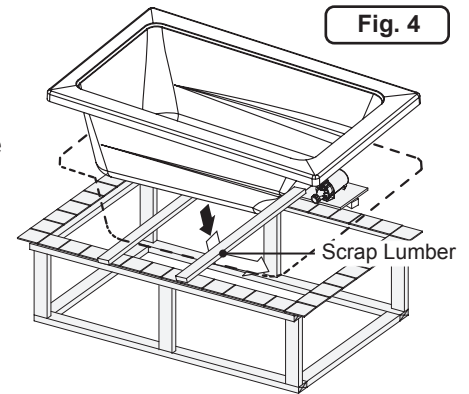


Fig. 4

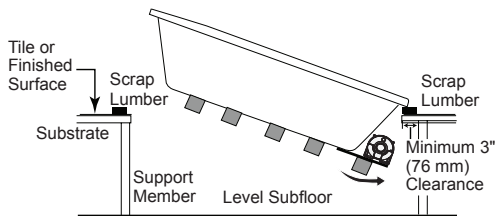


Fig. 5

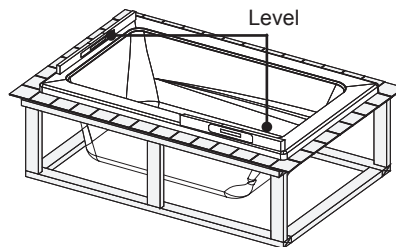


Fig. 6

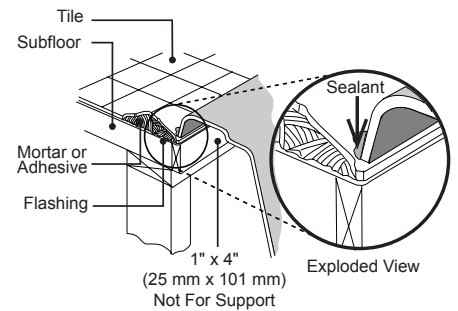


Fig. 7

Installation Procedures (cont.)

Undermount Installation

1. Inspect all fittings, plumbing, and control lines after inserting to ensure the components are not damaged or disconnected.
2. Align the bathtub and connect the drain.
3. Cut deck to fit using the undermount template provided as follows:
 - Position the template so that the desired undermount guidelines are aligned with the rim edge as shown.
 - Using a grease pencil, mark the center lines (denoted by ⊕ on template). Remove template.
 - Measure the distance from the wall, or other fixed point, to the center lines, Figure 8.

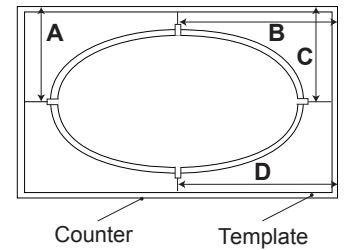


Fig. 8

4. Affix counter to bathtub. Clean any dirt or debris from the top of the bathtub rim.
5. Turn on the power supply to the dedicated GFCI-protected circuits and check system operation.



CAUTION! Do not use an adhesive or adhesive sealant to secure the bathtub to the deck. If maintenance or remodeling is required, the deck may have to be removed. Adhesive will permanently bond the bathtub to the deck. Carefully position the deck over the bathtub. Follow manufacturer's instructions to determine cure time.

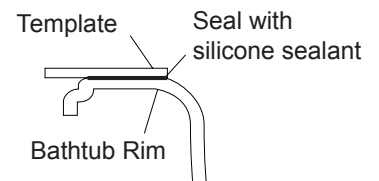
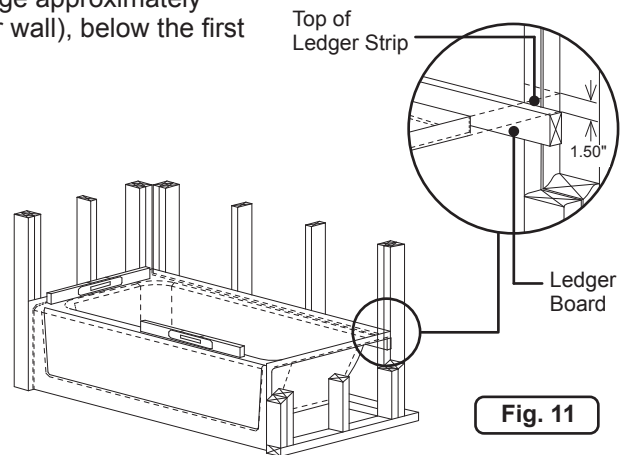
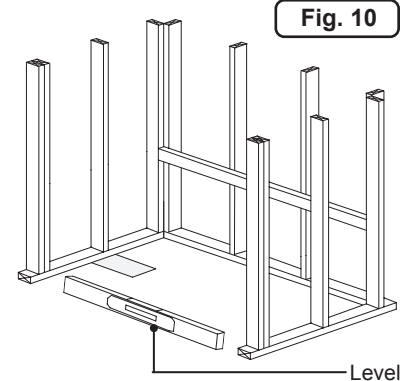


Fig. 9

6. Apply a continuous bed of silicone sealant around the entire seam between the counter and the bathtub rim. Allow sealant to cure according to manufacturer's instructions, Figure 9.

3-Wall Alcove Installation

1. Make sure framed-in alcove is of proper size per Jacuzzi dimensions, square, and plumb; check floor for levelness (Figure 10). Rough-in should be kept to a minimum until the unit is on the job site. Measurements may vary +0 or -1/4" from original specifications.
2. Place the tub in the alcove with the front skirt firmly on the floor. The bathtub must be set level. To check, use a level on top of the ledges on both ends of tub and on top of dam (Figure 10).
3. After leveling tub, mark each stud (concrete or block wall) immediately above the back horizontal flange. Remove tub from alcove. Measure the distance between the top of the back horizontal flange and the bottom of the tub ledge approximately 1 1/2" (40 mm). Carefully mark this dimension on the back studs (or wall), below the first mark (Figure 11 - inset).
4. Install a Ledger Strip: Jacuzzi mandates the use of supports under the rear ledges of bathtubs to prevent shifting. Use horizontal ledger strip along the entire rear ledge or "I", "T" supports in at least two places in vertical position. Nail a 1" x 3" (25 mm x 75 mm) ledger strip immediately below the lower marks made on framing (Figure 11 - inset).
5. When fastening wood framing, pre-drill flanges with a 1/8" (5 mm) carbide bit and fasten using #8 x 1-1/2" (38 mm) self-tapping sheet metal screws; to concrete/block walls use 1" (25 mm) concrete nails with nailing tool or impact.



NOTE: Pre-drilling and nailing flanges is recommended to avoid cracking of the acrylic unit. Silicone the top of each fastener to insure water tightness.

Installation Procedures (cont.)

6. Spot-fasten the two bottom corners and the two top corners of the vertical side nailing flange.
7. Nail/fasten at each stud through the topside flanges at each stud 16" (405 mm) on center, working from both ends toward back center. Complete the fastening through vertical side flange, approximately 8" (205 mm) on center.

8. When other than cementitious backer board is to be used, furring strips as thick as nailing flanges are recommended for installation on studs above the installed unit to assure walls will be flush. 100% silicone sealant with mildew resistant properties should be applied between the backer board and horizontal surface of unit (Figure 12). Then finished wall materials can be applied.

⚠ WARNING! Finishing of other trades should be done in conformance with applicable codes and generally accepted building practices.

9. Turn on the power supply to the dedicated GFCI protected circuits and check system operation.
10. Caulk around the perimeter of bathtub to seal the space between the rim and the finished deck (Figure 12).

⚠ CAUTION! Apply a continuous bead of silicone sealant around the entire seam between the counter and the bathtub rim. Allow sealant to cure according to manufacturer's instructions.

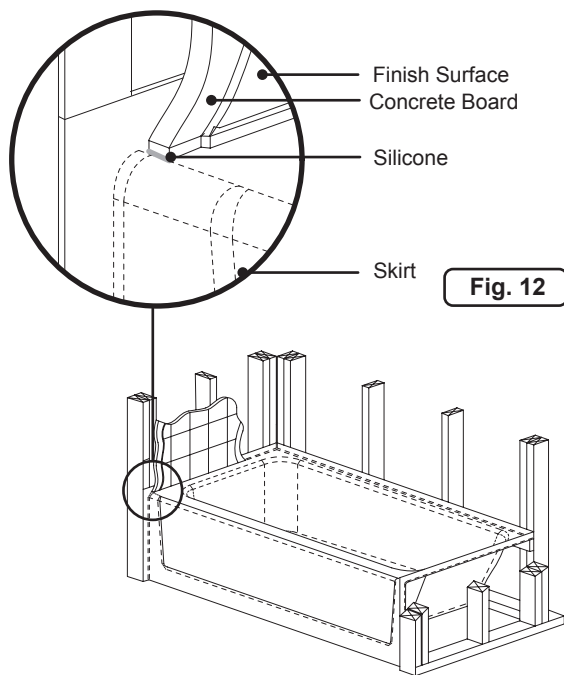


Fig. 12

For Optional Tile Flange

1. Install the flange (purchased separately) according to the instructions that are included with the kit. If the bathtub is equipped with an integrated flange, refer to 3-wall alcove installation, page 9.
2. Place the bathtub into the niche. Screw the flange to the wood stud. It may be necessary to shim the unit to close up any gaps between the wood stud and the flange (Figure 13).

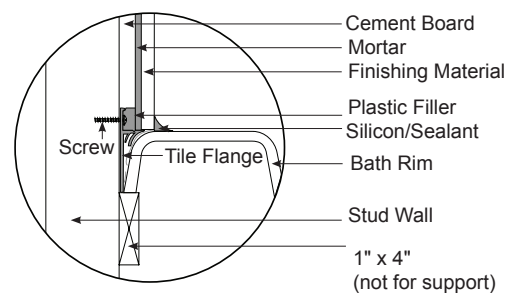


Fig. 13

Installation Procedures (cont.)

Bathtubs with Optional Skirt

1. Screw skirt flanges into wall studs, Figure 14.



It may be necessary to shim the unit to close any gaps between wall studs and the flanges.

2. Complete finish work over skirt flange.
3. Caulk around the perimeter of the skirt to seal the space between the skirt and the finished deck.

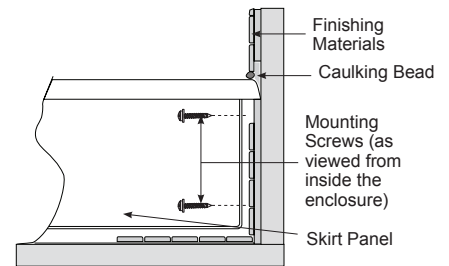


Fig. 14

Freestanding Installation

1. Set the 2-piece tub in place and position it precisely with respect to the drain-overflow location. Verify where the indentation for the drain is in relation to the drain-overflow. Use a marker to outline the perimeter of the entire tub directly on the floor (Figure 15).
2. Mark trough for the overflow drain location. The drain/overflow extends below the bottom of the bath. The drain-overflow requires a cutout of the floor for providing space to accommodate the extension. Do not exceed the dimensions of the tub perimeter (Figure 16).
3. When the above locations have been marked on the floor, remove the tub base (skirt), set it aside and continue with the installation process.
4. Faucetry is not supplied with the freestanding bath. To use deck-mounted faucetry, flexible connections lines that are 72" in length must be used. These lines need to be installed prior to installing the bath into the skirt.
5. When installing the faucet on the same side as the overflow, make sure there is no interference between the faucet and the overflow plumbing before drilling.
6. Use structural adhesive or silicone to attach tub skirt to subfloor. Make sure the tub is properly oriented according to the drain-overflow end (Figure 17).
7. Place the tub skirt on the floor in relation to the drain-overflow. Place the tub skirt on the floor and line up with the markings previously made on the floor (Figure 18). Allow the construction adhesive to dry for 24 hours before entering and/or using the tub.

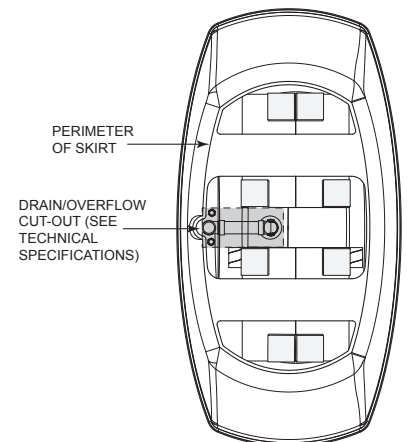


Fig. 15

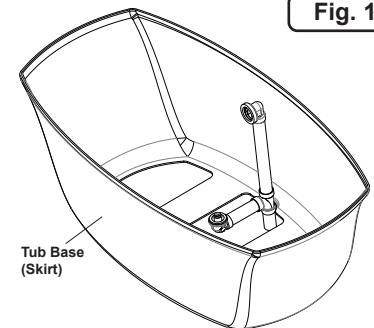


Fig. 16

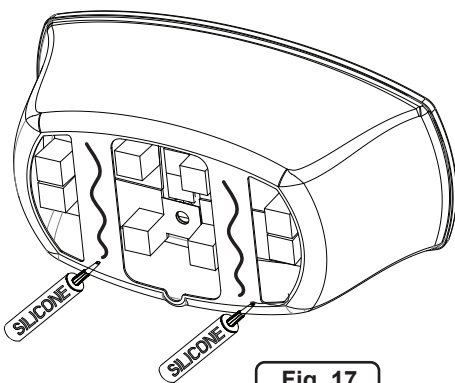


Fig. 17

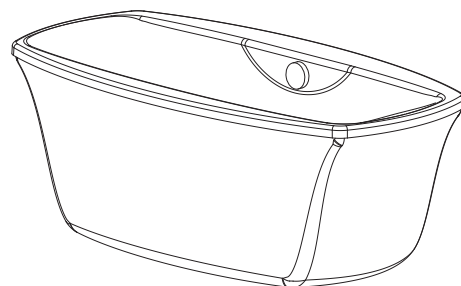


Fig. 18



Cleanup After Installation

To avoid dulling and scratching the surface of the bathtub, never use abrasive cleaners. For most soiled surfaces, a mild liquid detergent and warm water is sufficient. The following is also recommended:

- Remove spilled plaster with a wood or plastic edge. Spots left by plaster or grout can be removed if lightly rubbed with detergent on a damp cloth or sponge. Do not use metal scrapers, wire brushes or other metal tools, as they will damage the bathtub's surface.
- Paint, tar, or other difficult stains can be removed with Fantastik® or soapy water.
- Minor scratches which do not penetrate the color finish can be removed by lightly sanding with 600-grit wet/dry sandpaper. You can restore the glossy finish to the acrylic surface of the bathtub with a special compound, Meguiar's #10 Mirror Glaze. If that is not available, use automotive rubbing compound followed by an application of automotive paste wax.
- Major scratches and gouges which penetrate the acrylic surface will require refinishing. Call Jacuzzi Luxury Bath to find a service agent in your area.

Cleaning

⚠ CAUTION! Do not use oil or oil-based bathtub additives. Never use abrasive, or caustic, household cleaners on any Jacuzzi Luxury Bath product.

If you want to use any kind of bathtub additive, use only a small amount of low-foaming powder or crystal substance; the whirlpool action intensifies the foaming properties of soaps.

The use of certain bathtub oils, bubble baths, and bathtub additives may increase the level of accumulations of bathtub residue in the whirlpool system and may cause false reading of the water level sensors. If excess accumulations persist, you should discontinue use of these products.

To remove accumulations of bathtub residue from the whirlpool system, it is recommended that a bathtub be cleaned regularly. For best results, however, we recommend that you clean your whirlpool bathtub after each use using Systems Clean™, our exclusive two-part plumbing system cleaner made specifically for whirlpool bathtubs. Systems Clean™ is available through an authorized Jacuzzi Luxury Bath Distributor or by calling us direct at 1-800-288-4002 or may be purchased online at www.jacuzzi.com.

Maintenance

To clean your bathtub, simply use a mild, nonabrasive liquid detergent solution. You can protect and restore the gloss to a dulled acrylic surface by applying Meguiar's #10 Mirror Glaze, a product specifically designed for use on acrylic finishes. If Meguiar's is not available, use a fine grade automotive rubbing compound followed by an application of clear automotive paste wax.

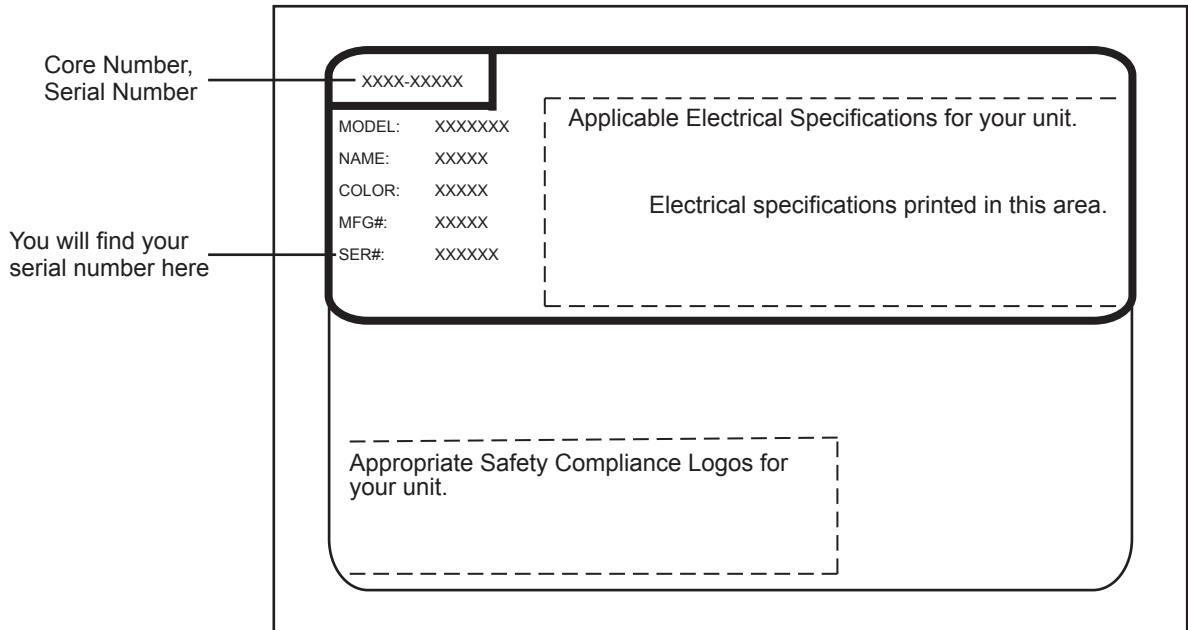
Minor scratches which do not penetrate the color finish can be removed by lightly sanding with 600-grit wet/dry sandpaper. Restore the gloss using Meguiar's Mirror Glaze or automotive paste wax. Major scratches and gouges which penetrate the acrylic surface will require refinishing. Call Jacuzzi Luxury Bath to find a service agent in your area.

Authorized Service

If you need a referral for a service company near you, or need assistance with operation or maintenance-related questions, please call our Service Support Department at 1-800-288-4002. Visit our web site at <http://www.jacuzzi.com/> for products, services, and an online copy of these Installation and Operation Instructions.

When requesting service or technical assistance please have available both the model and serial number of your unit. This information can be obtained from the product registration card provided with your unit. If the card has been misplaced, this information can be obtained from the specification/serial number label on the unit itself. The label is located on the wall of the bathtub near the pump/motor.

SPECIFICATION/SERIAL NUMBER LABEL



PRODUCT SPECIFICATIONS ARE SUBJECT TO CHANGE WITHOUT NOTICE.
USE TECHNICAL SPECIFICATIONS MANUAL SUPPLIED WITH PRODUCT.

Jacuzzi Luxury Bath has obtained applicable code (standards) listings generally available on a national basis for products of this type. It is the responsibility of the installer/owner to determine specific local code compliance prior to installation of the product. Jacuzzi Luxury Bath makes no representation or warranty regarding, and will not be responsible for any code compliance.

Jacuzzi Luxury Bath
14525 Monte Vista Avenue
Chino, California, 91710
1-800-288-4002
www.jacuzzi.com

Warranty Limited Lifetime Warranty on Jacuzzi® Branded Baths for the Comfort, and Luxury Collections**WARRANTY COVERAGE**

Jacuzzi Luxury Bath (the "Company") offers the following expressed limited lifetime warranty to the original purchaser of any Jacuzzi Luxury Bath products provided in the Company's Comfort and Luxury collections ("Bath") who purchases the Bath for personal or single family residential use ("User"): The Company will repair or replace, at its sole option, the Bath or its equipment in accordance with the following terms and conditions. This warranty does not apply to non-branded Bath products manufactured by the Company.

LIFETIME WARRANTY ON BATHS

The Company extends to the User of the Bath a non-transferable limited lifetime warranty that the shell will maintain its structural integrity and configuration and be free of water loss due to a defect in the bathtub shell. This warranty covers only the bathtub shell and the manufacturer installed pump, jets, controls, and blower against defects in material or workmanship. This warranty does not apply to any display models or to any options or accessories which are covered under our limited ninety (90) day warranty set forth below. Warranty coverage begins on the date the unit was originally purchased by the User and upon receipt by the Company of a completely filled out Warranty Registration Card as described below.

2 YEAR LABOR WARRANTY FOR ALL FACTORY INSTALLED COMPONENTS

Our limited labor warranty is for a period of two (2) years from the date the unit was originally purchased by the user, but not more than three (3) years from date of manufacture. All factory installed components (e.g., pump, motor, blower, and plumbing) are covered under our labor warranty against failure due to defect in materials and workmanship.

NINETY DAY (PARTS ONLY) LIMITED WARRANTY ON OPTIONS AND ACCESSORIES

Our limited warranty on options and accessories is for ninety (90) days for parts only. Our warranty covers options and accessories manufactured (e.g., drains fill spout kits, trim kits, skirts, video monitors, plasma television screens, CD and MP3 players and other music and video devices and optional heaters) against defects in material or workmanship. Warranty coverage begins on the date the option or accessory was originally purchased by the user. These items may be covered by a manufacturer's warranty which may have a longer duration than this limited warranty. Please confirm with the manufacturer the duration of the appropriate warranty for Options and Accessories.

WARRANTY LIMITATIONS

Our limited warranty does not cover defects, damage, or failure caused by the common carrier, installer, user, or other persons, pets, or rodents, or resulting from, without limitation, any of the following: careless handling (lifting unit by plumbing, abrading finish, etc.) including its own negligence; modification of any type for any reason (including modification to meet local codes); improper installation (including installation not in accordance with instructions and specifications provided with the unit); connections supplied by the installer of the equipment; improper voltage supply or unauthorized electrical modification; misuse; incorrect operation, or lack of proper routine maintenance; operation of the unit without specified minimum amount of water or at inappropriate water temperature; use of abrasive or improper cleaners; or acts of God, such as lightning, floods, earthquakes, etc.

In addition, THE COMPANY WILL NOT BE RESPONSIBLE FOR INCIDENTAL OR CONSEQUENTIAL DAMAGES or losses arising from any cause (e.g., water damage to carpet, ceiling, tiles, marble, loss of use, etc.) including its own negligence; damages to, respecting, or resulting from: plated parts when pool and/or spa chemicals are used in the unit or hard water conditions; optional bath equipment not manufactured by the Company but supplied by Dealer, installer or the Company; the unit's prior usage as an operational display; or defects that should have been discovered before installation. This limited warranty does not include: labor, transportation, or other costs incurred in the removal and/or reinstallation of the original unit and/or installation of a replacement unit; any costs relating to obtaining access for repair; or loss of use damage, including loss of sales, profit or business advantage of any kind under any circumstances. Bath units are excluded from any warranty coverage if any addition, deletion, or modification of any kind whatsoever has been made to the unit (or to any component). Warranty coverage is provided in the United States of America and Canada only.

EXCLUSION OF IMPLIED WARRANTIES

IMPLIED WARRANTIES OF MERCHANTABILITY AND FITNESS FOR A PARTICULAR PURPOSE ARE DISCLAIMED TO THE FULLEST EXTENT ALLOWED BY LAW.

NOTICE: This warranty gives you specific legal rights, and you may also have other rights which vary from state to state. There are no warranties applicable to Jacuzzi Luxury Bath products except as expressly stated herein or as implied by applicable state and federal laws. The Company will not be responsible for any statements or representations made in any form that go beyond, are broader than or are inconsistent with any authorized literature or specifications furnished by the Company. Some states do not allow limitations on how long an implied warranty lasts, or the exclusion or limitation of incidental or consequential damages, so the above limitations and exclusions may not apply to you.



**Warranty Limited Lifetime Warranty on Jacuzzi® Branded Baths
for the Comfort, and Luxury Collections (cont.)**

RETURN OF WARRANTY REGISTRATION

To register your product, please go to our website Jacuzzi.com, click on Bath and Showers, then select ONLINE WARRANTY REGISTRATION from the top of the page. You will then be prompted to enter your product Serial Number followed by your warranty registration information. Or you may also register by completing the registration below and mailing it to Jacuzzi at the address provided below.

The attached Warranty Registration MUST be filled out by the purchaser within thirty (30) days from purchase and received by Jacuzzi Luxury Bath in order for this warranty to become effective.

RESPONSIBILITIES OF OTHERS

Inspecting the unit prior to installation is the responsibility of the installer or building contractor who acts on behalf of the User. They are responsible for ensuring the unit is free of defect or damage. Notices are placed on and in the unit and on the shipping carton advising the installer of this responsibility. In the event of a problem, the unit must not be installed. The Company is not responsible for failures or damage that could have been discovered, repaired, or avoided by proper inspection and testing (including proper water testing) prior to installation.

Damage occurring in transit is the responsibility of the carrier. The User or installer MUST open the crate and inspect the unit for damage when it is delivered. If damage is discovered, it must be reported immediately to the seller and the carrier in writing, and an inspection requested. Failure of the carrier to respond should be reported to the seller and the carrier. Your freight claims should be filed promptly thereafter.

Damage occurring to the unit during installation is the responsibility of the installer and/or building contractor and damage occurring thereafter is the responsibility of the user.

Failure of any optional equipment is the sole responsibility of the equipment manufacturer except as provided above and shall not extend to or apply to any replacement parts for the Options and Accessories. Any replacement parts shall be covered by the original equipment manufacturer.

The Distributor or Dealer is responsible for knowing local code requirements and notifying the installing contractor and/or User of these requirements at the time of purchase. The Company is not responsible for costs to modify any product to obtain any code approval, such as city, county, or state building codes in U.S.A. or municipal or provincial codes in Canada.

WARRANTY SERVICE

For the customer's benefit, the Company maintains a list of independent service personnel to perform required warranty service repairs. Such firms are not agents or representatives of the Company and cannot bind the Company by words or conduct.

The Company will provide the warranty service described above when the following conditions have been met: the failure is of the nature or type covered by the warranty; the User has informed an Authorized Jacuzzi Luxury Bath Service Agent or Warranty Service Department Representative of the nature of the problem during the warranty period; conclusive evidence (e.g., proof of purchase or installation) is provided to the foregoing by the user proving that the failure occurred or was discovered within the warranty period; an authorized independent service person or Company representative has been permitted to inspect the unit during regular business hours within a reasonable time after the problem was reported by the User. In order to obtain warranty service, contact Jacuzzi Luxury Bath at:

jacuzzi.com
or
Warranty Service Department
14525 Monte Vista Avenue
Chino, California 91710
Call: 1-(800) 288-4002

To obtain warranty replacement for factory-installed components for Company supplied options and accessories manufactured and supplied by the Company, call or write the above. Provide a description of the problem and proof of purchase. You will be instructed how to obtain replacements and where to return, at your expense, the failed component(s), option(s), or accessory(ies).

All replacement parts, equipment, and repairs shall assume the remaining warranty period of the part(s) replaced.

The Company's warranty obligation shall be discharged upon tender of replacement or repair. The customer's refusal to accept the tender terminates the Company's warranty obligation.



Jacuzzi Luxury Bath
14525 Monte Vista Avenue
Chino, California 91710



WARRANTY REGISTRATION CARD

To complete your registration, visit our website at www.jacuzzi.com or fill out and mail this card to the address printed on the other side within thirty (30) days from date of purchase in order for this warranty to become effective.

Purchaser's Name _____

Purchaser's Address _____

City _____ State ___ Zip _____

Home Phone: _____ Cell Phone: _____

Email: _____

Date of Purchase _____

Model Name _____

Serial Number _____

Dealer's Name _____

Dealer's Address _____

1. How did you first hear about this Jacuzzi® product?
 - Advertisement Article in Magazine/Newspaper
 - Visited Dealer/Plumbing Supplier Yellow Pages
 - Builder/Plumber/Remodeler Decorator/Architect
 - Visited Retailer/Home Center Store
 - Word of Mouth . . . Friend/Relative/Acquaintance
 - Other (Please Describe) _____
2. Who first gave you specific information about this product (specifications, prices, etc.)?
 - Dealer/Plumbing Supplier Builder Remodeler
 - Plumbing Contractor Retailer/Home Center Store
 - Decorator/Architect Already Installed
3. What was the main reason for purchase?
 - Styling Warranty Service Product Features
 - Brand Name Price Hydrotherapy
 - Home Resale _____
 - Other _____
4. Who finally decided which product you would buy?
 - Self Spouse Self and Spouse Together
 - Other Family Member Designer/Architect
 - Builder/Plumber/Remodeler Already Installed
5. Who installed? Already installed/New Home
 - Contractor/Plumber when remodeling
 - Self/Spouse when remodeling
 - Other _____
6. What is the current market value of this property?
Please estimate \$ _____
7. What is the age of the head of the household? Years _____
8. What other manufacturers did you consider?
 - Eljer Aquatic Bath Price Pfister Aqua Glass
 - Kohler American Standard Sterling
 - Other (Specify) _____
9. How long did you shop before purchasing unit?
 - 1 day 2 months- 6 months
 - 2-7 days 6 months- 1 year
 - 1 week- 2 weeks 1 year- 2 years
 - 2 weeks- 4 weeks +2 years
 - 1 month- 2 months
10. Approximately how long have you lived in this home _____?
11. Please indicate, approximately, the total annual income of your household.
 - Up to \$24,999 \$50,000 to \$74,999
 - \$25,000 to \$29,999 \$75,000 to \$99,999
 - \$30,000 to \$39,999 \$100,000 to \$149,999
 - \$40,000 to \$49,999 \$150,000 and Above
12. Was your purchase process?
 - Very easy Easy Difficult Very Difficult
13. How technically aware were you of the patented Jacuzzi® jet system prior to your purchase?
 - Not aware Somewhat aware Very aware



Ninety-Day
 Parts Only
 Limited Warranty
 On
 Accessory(ies)

