



OPERATING MANUAL

Pure Air[®]

Whirlpool

Salon[®] Spa

Jacuzzi Luxury Bath
14525 Monte Vista Avenue
Chino, CA 91710
1-800-288-4002
www.jacuzzi.com

Table of Contents

General Operation Information..... 2

Reference Illustration for a Pure Air® System..... 3

Pure Air® Operations..... 4

Pure Air® Auto-Dri™ Air Channels..... 5

Whirlpool System Reference Illustrations..... 6-7

Whirlpool Operations..... 8-9

Heated Soak Reference Illustrations..... 10-11

RapidHeat™..... 12

Cleaning..... 13

Maintenance..... 13-14

Salon® Spa System Reference Illustrations..... 15

Salon® Spa Operations..... 16

Troubleshooting Procedures..... 17

**For Spanish and French installation instructions, please visit www.jacuzzi.com/baths/support/owners-manuals/.*

**Para instrucciones de instalación en español, por favor visite www.jacuzzi.com/baths/support/owners-manuals/.*

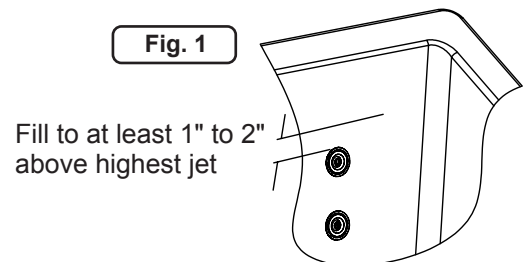
**Pour directives d'installation en français canadien, veuillez visiter www.jacuzzi.com/baths/support/owners-manuals/.*

General Operation Information

All bathtubs manufactured by Jacuzzi Luxury Bath are designed for “fill and drain,” which means the bathtub should be drained after each use and filled with fresh water by the next bather. This is a health precaution, as these bathtubs are not designed to hold water continuously like pools or spas.

Close the drain and fill the bathtub until water is at least 1" to 2" (25 mm to 51 mm) above the highest jet or air inlet (see water line indicated in the illustration - Figure 1). Do not turn on the Whirlpool or Pure Air® system at any time if the jets or air inlets are not completely immersed in water. Running the Whirlpool or Pure Air® system when there is insufficient water in the bathtub could result in water spraying outside the bath area.

ATTENTION: When exiting the bathtub, the water level will drop below the jets which could result in water being sprayed out of the unit. To prevent this, you must turn unit OFF before exiting bathtub.

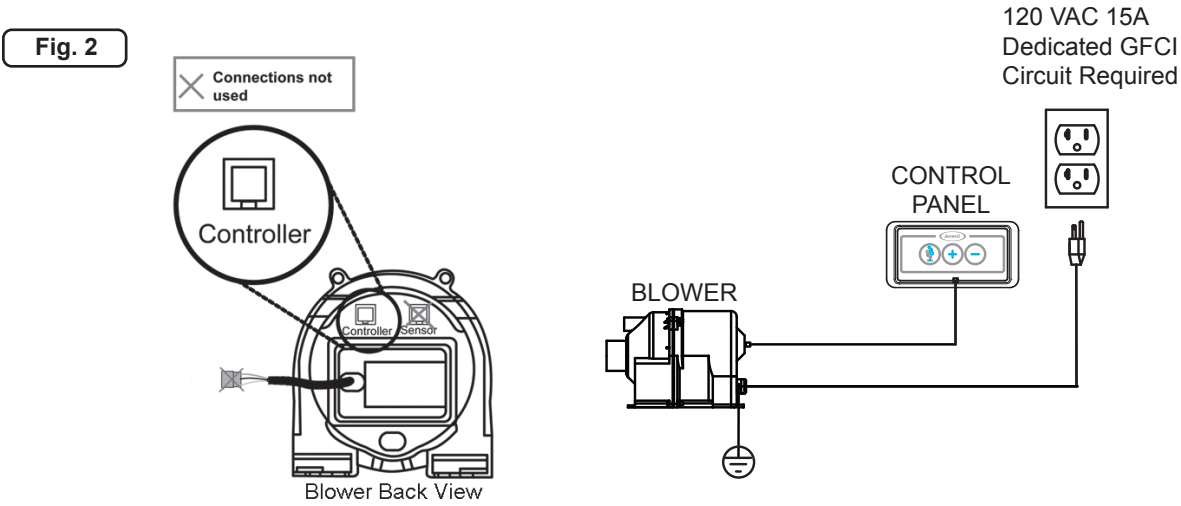


Reference Illustration for a Pure Air® System

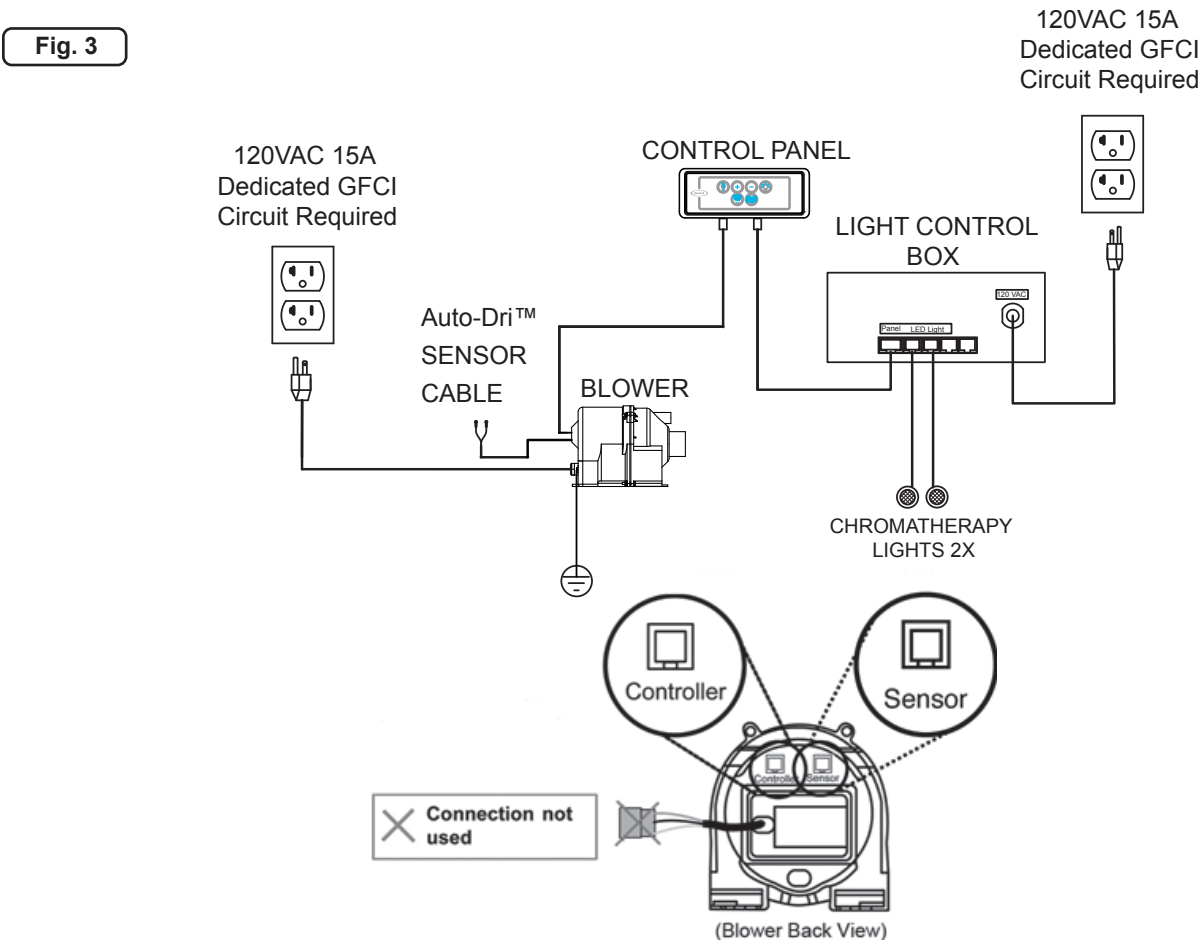
⚠ These illustrations are for reference only, as the unit comes fully assembled.

⚡ DANGER: RISK OF ELECTRIC SHOCK! Before servicing these connections, disconnect all power supply cables to both 120 VAC services.

J2 Control Panel Pure Air® Schematic Diagram



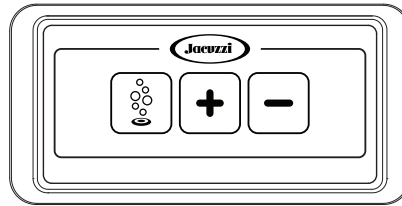
J4 Control Panel Pure Air® Schematic Diagram



Pure Air® Operations

J2 Pure Air® Controls

Fig. 4



BLOWER OPERATION

- Press once to turn ON
- Press again to turn OFF

NOTE: The last blower setting used is remembered by the system and will automatically resume upon next use.

INCREASE TOGGLE

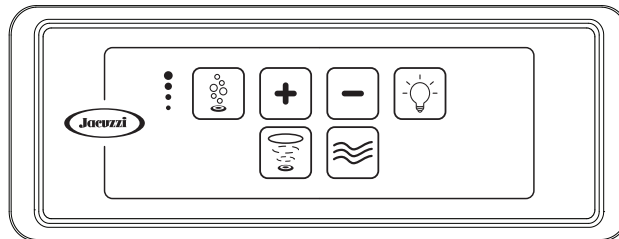
- Press to increase the blower intensity
- Press and hold 5 seconds to set/cancel daily Auto-Dri™
- Alternately, you can press and hold the button to increase the intensity level.

DECREASE TOGGLE

- Press to decrease the blower intensity
- Alternately, you can press and hold the button to decrease the intensity level

J4 Pure Air® Controls

Fig. 5



NOTE: When switching between functions, the LED for the newly selected function will FLASH once to indicate selection.



BLOWER OPERATION

- Press to turn ON
- Press again to turn OFF
- Use toggles to control speed



INCREASE TOGGLE

- Press to increase selected feature
- Press and hold 5 seconds to set/cancel daily Auto-Dri™
- Press to increase light intensity
- Press to turn ON lights at last color used from OFF



DECREASE TOGGLE

- Press to decrease selected feature
- Press to decrease light intensity all the way down to OFF



CHROMATHERAPY

- Press once to turn lights ON at white level 2
- Press again to cycle colors
- Press again to stop at the current color
- Press again to restart the cycle
- Color Sequence: White, Purple, Blue, Turquoise, Green, Yellow, Orange, Red, Pink, Repeat



PULSE FEATURE

- Press to turn Pulse ON
- Press to turn Pulse OFF
- +/- keys can be used to adjust maximum air intensity



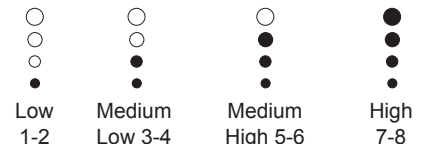
STATUS LED

- Relays the current intensity of selected feature



WAVE FEATURE

- Press to turn Wave ON
- Press to turn Wave OFF
- +/- keys can be used to adjust maximum intensity




Pure Air® Auto-Dri™ Air Channels


J2 Auto-Dri™ Air Channels

The blower will operate for 20 minutes and then automatically shut off, unless power is manually turned off. In either case, 20 minutes after the blower has shut off, it will turn ON for a one-minute drying cycle to blow out any water remaining in the air system.

If the bath is used without the blower operating (showering or bathing without using the Pure Air® system), initiate the one-minute drying cycle manually by use of the ON/OFF switch. Turn the switch ON and OFF again as you exit the bath and the drying cycle will occur in 20 minutes.

J2 Daily Auto-Dri™ Cycle

To Activate: Holding the  button for five-seconds when the blower is off activates the daily Auto-Dri™ cycle. The blower will start every day at the same time for one-minute. Once the daily Auto-Dri™ cycle is activated, the blower will come on for one-second, turn off for two-seconds, come on for one-second and then turn off.

To Deactivate: Holding the  button for five-seconds when the blower is off deactivates the daily Auto-Dri™ cycle. When the daily Auto-Dri™ cycle is deactivated, the blower will come on for one-second and then turn off.


J4 Auto-Dri™ Air Channels

The Auto-Dri™ cycle is automatic and will reduce excessive accumulation of residual water in the air channels.

There are two Auto-Dri™ cycles: drain assisted Auto-Dri™ cycle and daily Auto-Dri™ cycle.

J4 Drain Assist

The Auto-Dri™ cycle is sensor assisted – two sensors (metal dials) are located near the drain of the bathtub. The sensors detect the presence and absence of water in the bathtub.

 To ensure effective and correct operation of the water sensors, it is important to keep them clean and free from blockage or objects.

After bathing and following the emptying of the bathing well, the sensors detect a “no water” condition. A five minute wait time elapses and then the blower is activated. The blower will cycle through a range of speeds for 2 ½ minutes, during which either 2 or 3 indicator lights will flash at various speeds.

- The Auto-Dri™ cycle will engage even if the blower is not used during bathing.
- The cycle may initiate more than once if the sensors become wet during any part of the Auto-Dri™ operation or during routine cleaning of the bathtub. This is normal and does not require attention.

•
•


J4 Daily Auto-Dri™ Cycle

Each day, the blower will automatically activate a daily Auto-Dri™ cycle. The blower will operate for one minute on high power, followed by 15 seconds at ½ power.

To set Auto-Dri™ cycle time: Wait until the time that you desire the daily Auto-Dri™ cycle to activate. With the blower off, press and hold the plus button for five seconds. To confirm that you have set the time, the blower will cycle between on and off two times in a 4 second span.

To cancel daily Auto-Dri™ cycle: With the blower off, press and hold the plus button for five seconds. To confirm that you have cancelled the Auto-Dri™ cycle, the blower will come on for 1 second and then stop.

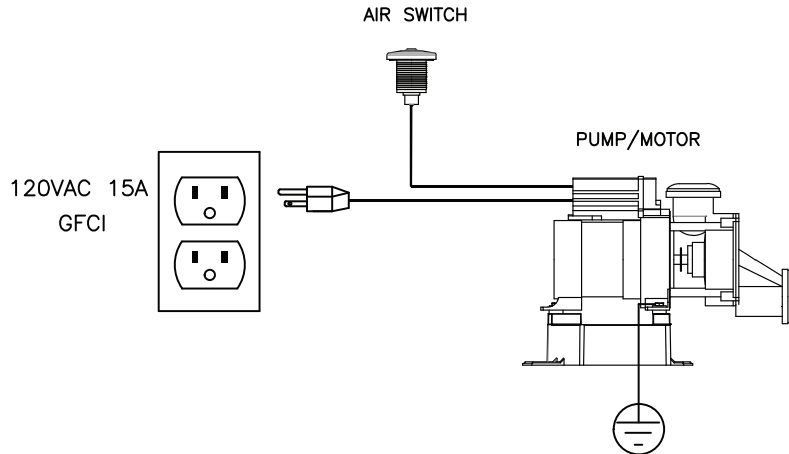
 You must set the daily Auto-Dri™ cycle upon installation; the default is no pre-set daily Auto-Dri™ cycle.

 If a power failure occurs, the system will default to no daily Auto-Dri™ cycle.

Whirlpool System Reference Illustrations

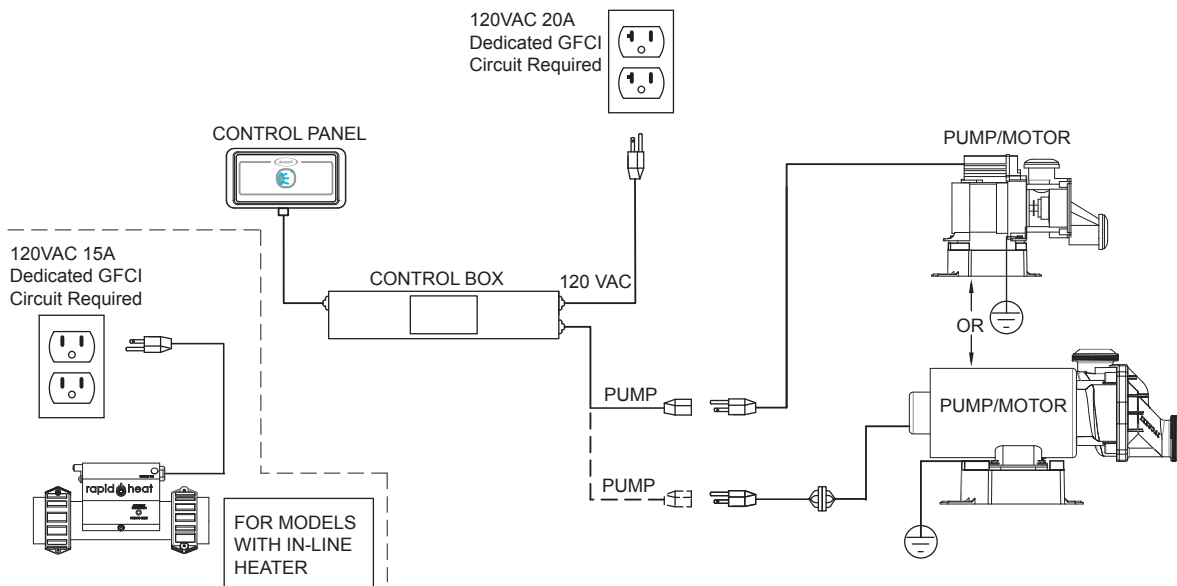
Pushbutton Whirlpool Schematic Diagram

Fig. 6



J2 Control Panel Whirlpool Schematic Diagram

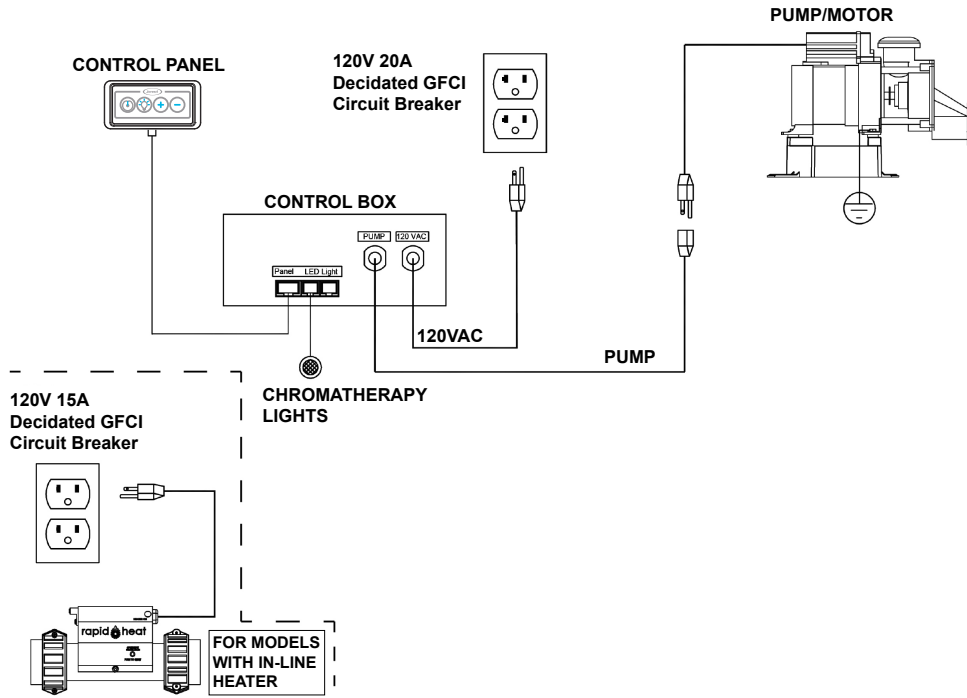
Fig. 7



Whirlpool System Reference Illustrations (Continued)

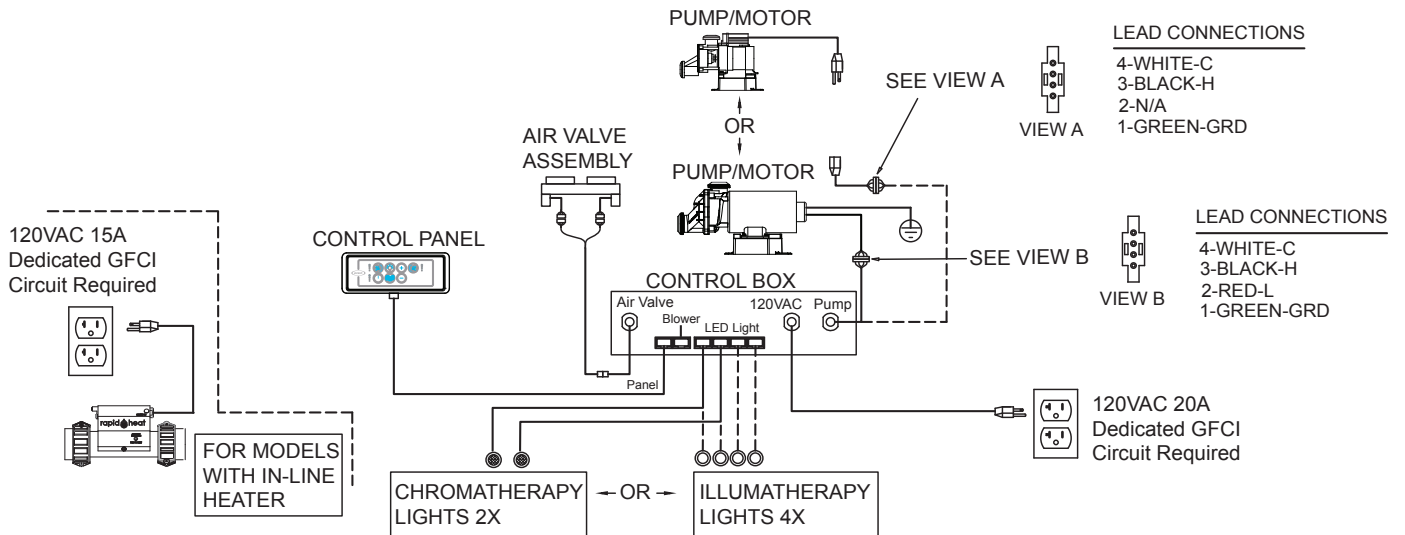
J2 Control Panel Whirlpool with Chromatherapy Schematic Diagram

Fig. 8



J4 Control Panel Whirlpool Schematic Diagram

Fig. 9



Whirlpool Operations

Pushbutton Whirlpool Controls

Fig. 10A

Push down on the button to turn ON the whirlpool system.

Push down on the button to turn OFF the whirlpool system.

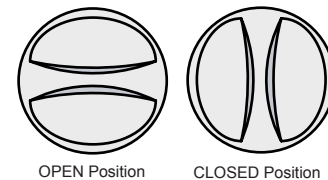


Whirlpool Control

Fig. 10B

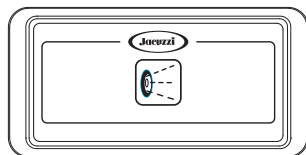
In the closed position, the jets massage with only water.

In the open position, air mixes with water to create a deep, wide plume of massaging bubbles.



J2 Whirlpool Controls

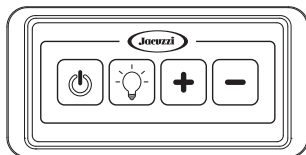
Fig. 11



- Press once to turn ON.
- Press again to turn OFF.

J2 Whirlpool Controls with Chromatherapy Controls

Fig. 12



- Press once to turn ON.
- Press again to turn OFF.



CHROMATHERAPY

- Press once to turn lights ON at white level 2
- Press again to cycle colors
- Press again to stop at the current color
- Press again to restart the cycle
- Color Sequence: White, Purple, Blue, Turquoise, Green, Yellow, Orange, Red, Pink, Repeat



INCREASE TOGGLE

- Press to increase light intensity
 - Press to turn ON lights at last color used from OFF
- NOTE:** Default lighting color is white level 2.



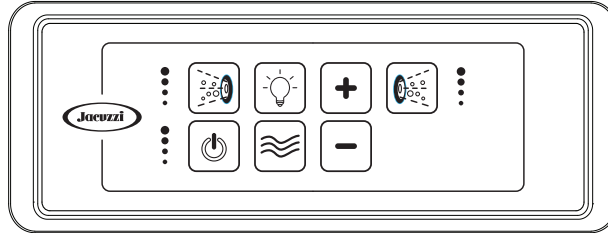
DECREASE TOGGLE

- Press to decrease light intensity all the way down to OFF
- NOTE:** Default lighting color is white level 2.

Whirlpool Operations (Continued)

J4 Whirlpool Controls

Fig. 13



NOTE: When switching between functions, the LED for the newly selected function will FLASH once to indicate selection.



WHIRLPOOL

- Press to turn ON
- Press again to turn OFF
- Use toggles to control speed*

* Whirlpool speed available only for models equipped with 2-speed motors.



INCREASE TOGGLE

- Press to increase selected feature
- Press to increase light intensity
- Press to turn ON lights at last color used from OFF



DECREASE TOGGLE

- Press to decrease the selected feature
- Press to decrease light intensity all the way down to OFF



LEFT AIR VALVE CONTROL

- Press to activate the left air valve
- Use toggles to control air mix



RIGHT AIR VALVE CONTROL

- Press to activate the right air valve
- Use toggles to control air mix



WAVE FEATURE

- Press to turn Wave ON
- Press to turn Wave OFF
- +/- keys can be used to adjust maximum intensity



CHROMATHERAPY

- Press once to turn lights ON at white level 2
- Press again to cycle colors
- Press again to stop at the current color
- Press again to restart the cycle
- Color Sequence: White, Purple, Blue, Turquoise, Green, Yellow, Orange, Red, Pink, Repeat



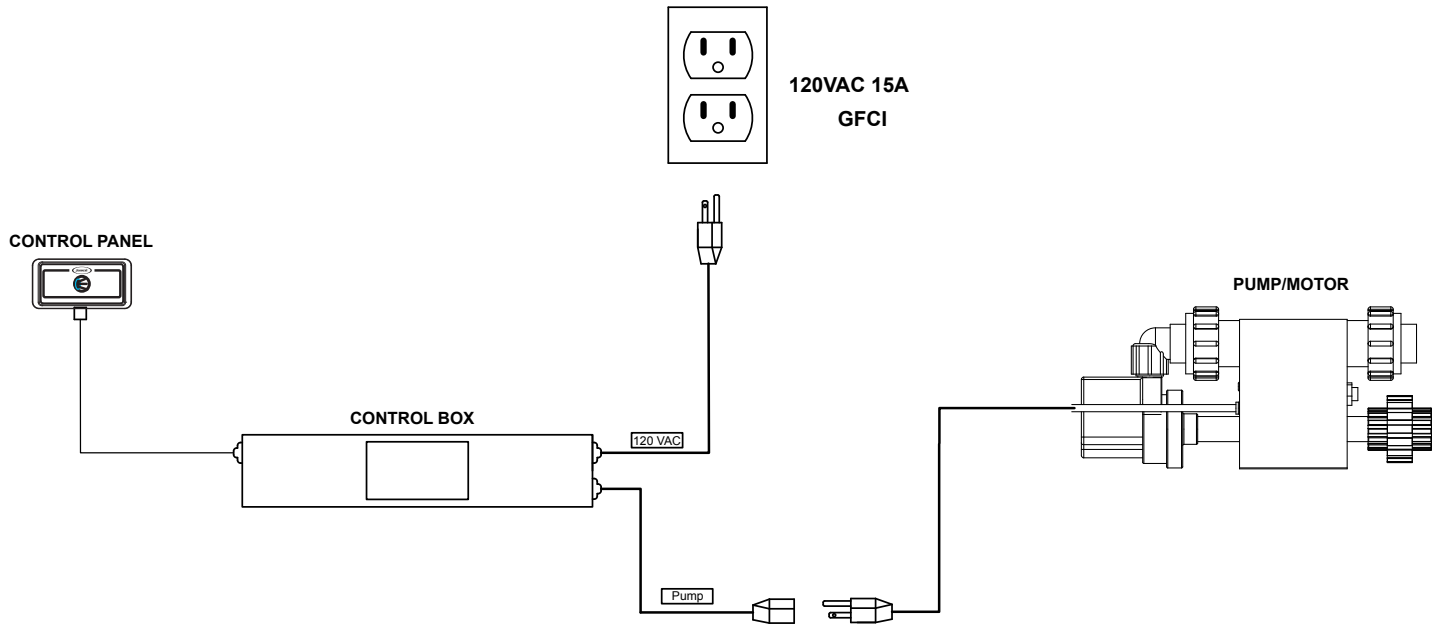
STATUS LED

- Relays the current intensity of selected feature

Heated Soak System Reference Illustrations

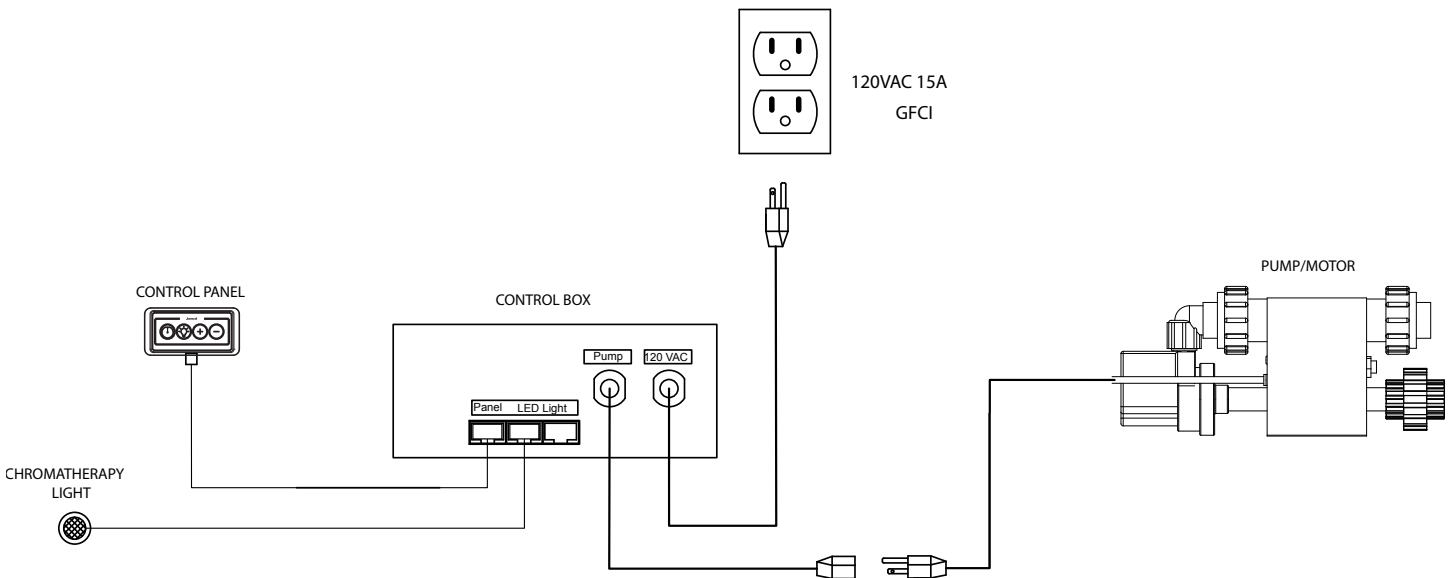
J2 Control Panel Heated Soak Schematic Diagram

Fig. 14



J2 Control Panel Heated Soak with Chromatherapy Schematic Diagram

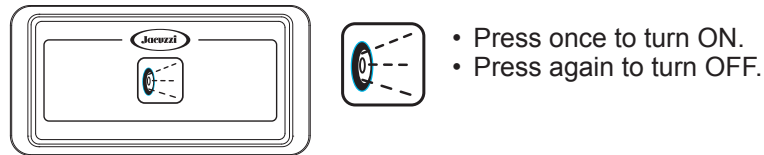
Fig. 15



Heated Soak System Reference Illustrations (Continued)

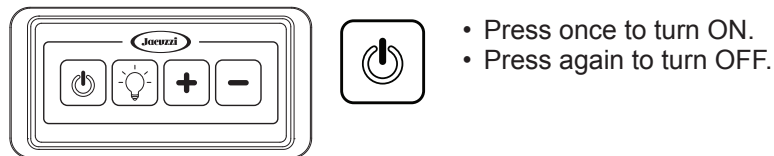
J2 Heated Soak Controls

Fig. 16



J2 Heated Soak with Chromotherapy Controls

Fig. 17



CHROMATHERAPY

- Press once to turn lights ON at white level 2
- Press again to cycle colors
- Press again to stop at the current color
- Press again to restart the cycle
- Color Sequence: White, Purple, Blue, Turquoise, Green, Yellow, Orange, Red, Pink, Repeat



INCREASE TOGGLE

- Press to increase light intensity
 - Press to turn ON lights at last color used from OFF
- NOTE:** Default lighting color is white level 2.



DECREASE TOGGLE

- Press to decrease light intensity all the way down to OFF
- NOTE:** Default lighting color is white level 2.

Whirlpool Operations (Continued)

Controlling Whirlpool Direction & Flow

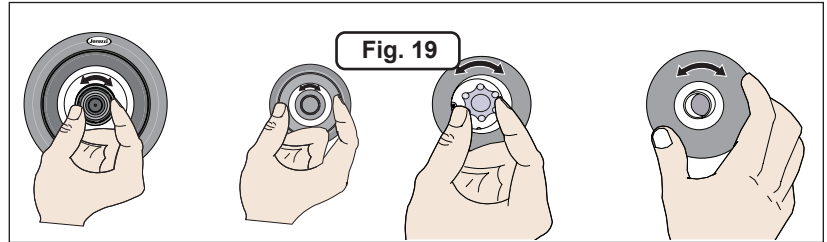
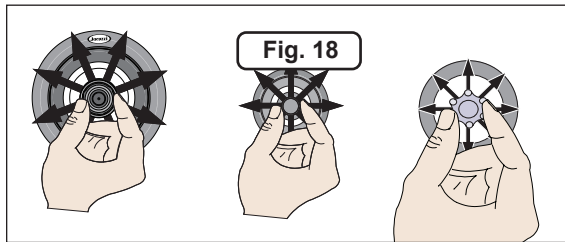
⚠ CAUTION: Never run the whirlpool system with all the jets closed.

To adjust the direction of the jets:

- To change the direction of the water flow, swivel the jet nozzle to the desired angle (Figure 18).

To adjust the water flow to the jets:

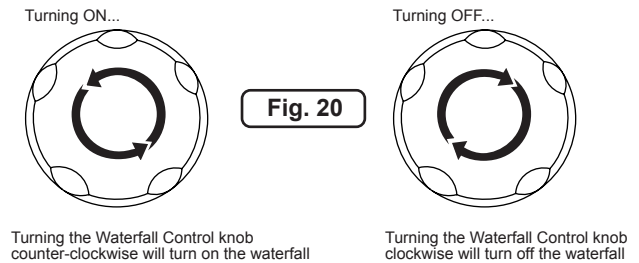
- Increase the force of the flow by rotating the nozzle or jet face to the left (counterclockwise). Decrease the force of the flow by rotating the nozzle or jet face to the right (clockwise). Reference Figure 19.



Controlling Waterfall (Applicable Models Only)

⚠ The waterfall can only be activated when the whirlpool pump is in operation.

The more the waterfall control knob is turned in a counter-clockwise direction, the flow of water will increase. Reference Figure 20.



To remove accumulations of bathtub residue from the system, it is recommended that a bathtub be cleaned at least twice a month. For best results, however, we recommend that you clean your bathtub after each use using Systems Clean™, our exclusive two-part plumbing system cleaner made specifically for bathtubs. Systems Clean™ is available through an authorized Jacuzzi Luxury Bath distributor, by calling 1-800-288-4002 or may be purchased online at www.jacuzzi.com.

RapidHeat™

RapidHeat™ (Standard on Salon® Spa Models)

The heater turns ON automatically any time whirlpool operation is active. Heater operation is not displayed on the control panel. There is a visible indicator light on the heater itself that signifies the heater is operating (Figure 21). The heater will help maintain the temperature of the water in the bathtub. It is not intended to heat the water to a desired temperature.

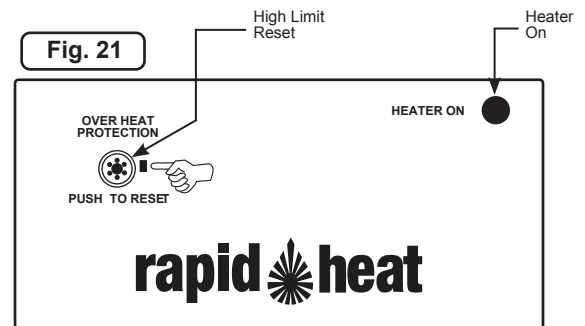
⚠ IMPORTANT NOTE: Heater will only work when the water temp is 77°F or above. You should always fill the tub with warm water.

Vacuum Switch

The heater is equipped with a preset vacuum switch which will not allow the heater to turn ON if the pump is not running and water is not flowing through the whirlpool system.

High-Limit Switch

The heater includes an exclusive High-Limit switch (Figure 21). This safety circuit will not false trip from hot tap water. It will only turn OFF the heater if the thermostat fails. To reset, press the button. If the high-limit trips frequently, please contact us at www.jacuzzi.com, or at 1-800-288-4002.



Cleaning

Systems Clean™

To remove accumulations of bathtub residue from the whirlpool system, it is recommended that a Whirlpool bathtub be cleaned at least twice a month. For best results, we recommend that you clean your Whirlpool bathtub after each use using Systems Clean™, our exclusive two-part plumbing system cleaner made specifically for Whirlpool bathtubs. Systems Clean™ is available through an authorized Jacuzzi Luxury Bath distributor by calling us direct at 1-800-288-4002, or may be purchased online at www.jacuzzi.com/baths.

Bathtub Additives

⚠ CAUTION: Do not use oil or oil-based bathtub additives. Never use abrasive or caustic household cleaners on any Jacuzzi Luxury Bath product.

If you want to use any kind of bathtub additive, use only a small amount of low-foaming powder or crystal substance; the whirlpool action intensifies the foaming properties of soaps.

The use of certain bathtub oils, bubble baths, and bathtub additives may increase the level of accumulations of bathtub residue in the Whirlpool system and may cause false reading of the water level sensors. If excess accumulations persist, you should discontinue use of these products.

To remove accumulations of bathtub residue from the Whirlpool system, it is recommended that a bathtub be cleaned regularly. For best results, we recommend that you clean your Whirlpool bathtub after each use using Systems Clean™, our exclusive two-part plumbing system cleaner made specifically for Whirlpool bathtubs. Systems Clean™ is available through an authorized Jacuzzi Luxury Bath distributor, or by calling 1-800-288-4002 or may be purchased online at www.jacuzzi.com.

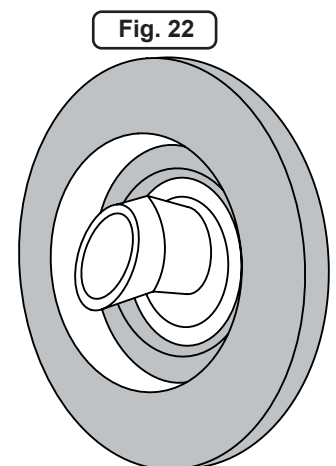
To clean your bathtub, simply use a mild, non-abrasive liquid detergent solution. You can protect and restore the gloss to a dulled acrylic surface by applying Meguiar's #10 Mirror Glaze, a product specifically designed for use on acrylic finishes. If Meguiar's is not available, use a fine grade automotive rubbing compound followed by an application of clear automotive paste wax.

Minor scratches which do not penetrate the color finish can be removed by lightly sanding with 600-grit wet/dry sandpaper. Restore the gloss using Meguiar's Mirror Glaze or automotive paste wax. Major scratches and gouges which penetrate the acrylic surface will require refinishing. Call Jacuzzi Luxury Bath to find a service agent in your area.

Maintenance

Spinning Jet Maintenance

If hair, or other types of debris, get caught in the bearings of these jets, it could cause them to stop spinning (Figure 22). This may require disassembly and removal. To do this, simply grab the nozzle and pull it straight out of the jet housing. The bearing casing will be attached to the nozzle. These two items can be separated by holding the casing and pushing the nozzle out from the rear of the casing. After the cleaning is complete, reassemble and reinstall.



Maintenance (Continued)**Whirlpool Suction Cover/Strainer Maintenance**

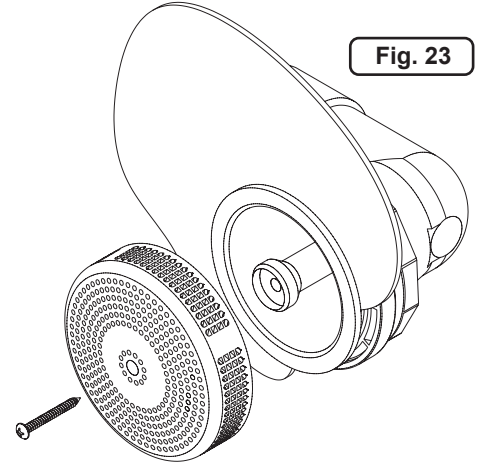
Clean the suction cover/strainer of hair and debris when necessary (Figure 23).

1. Remove the center screw and detach the suction cover.
2. Clean the cover by back flushing debris from the holes.
3. Replace the suction cover immediately after cleaning.

⚠ WARNING! When reinstalling, orient the cover/strainer with the small notch at the bottom. The gasket must be inserted into the groove of the cover/strainer before reinstalling onto the suction fitting.

⚠ DANGER: RISK OF SEVERE INJURY OR DROWNING! Keep hair a minimum of 6 inches (152 mm) away from the suction fitting at all times when the whirlpool system is operating. Hair longer than shoulder length should be secured close to the head, or a bathing cap should be worn.

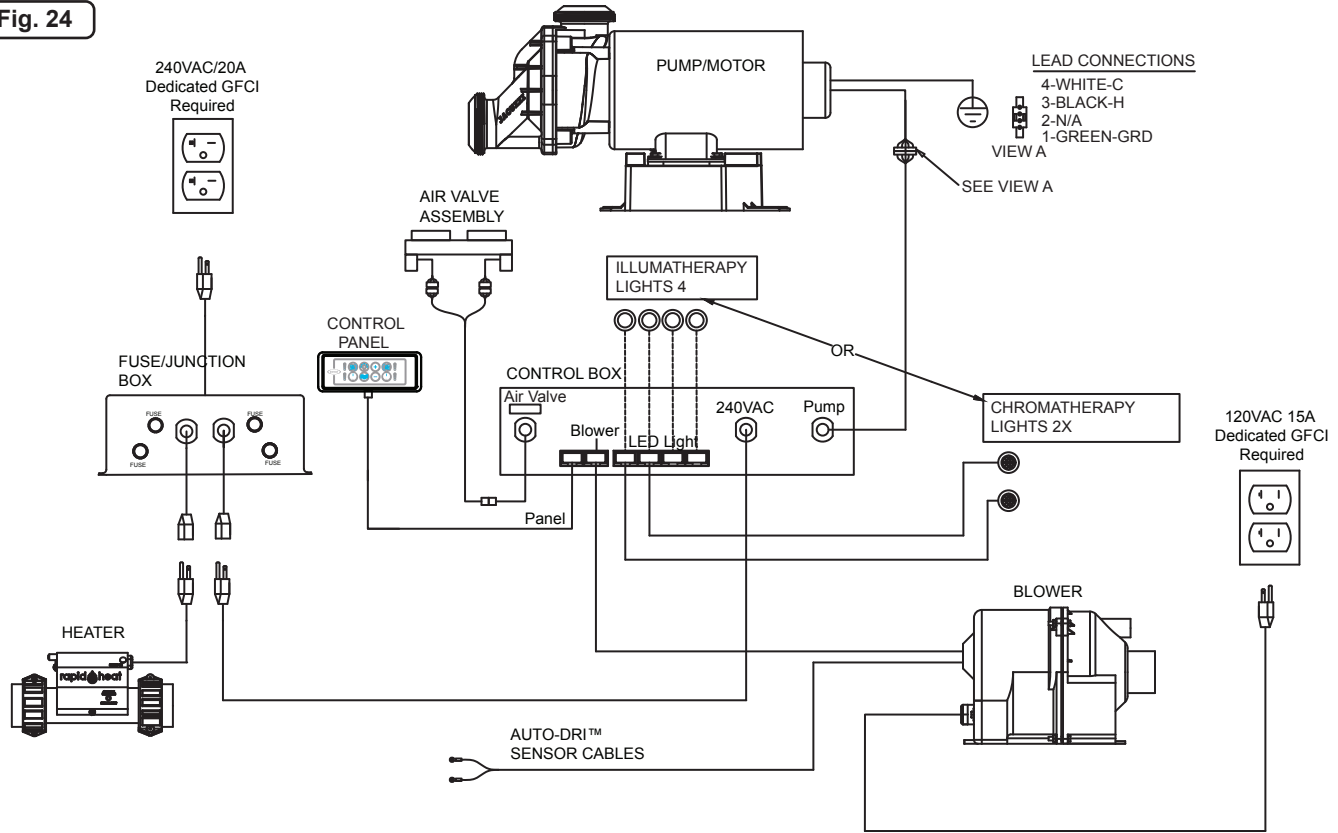
⚠ DANGER: RISK OF SEVERE INJURY OR DROWNING! Do not operate the Whirlpool system with the suction cover/strainer removed! It is a safety device and must always be in place on the suction fitting to minimize the potential hazard of hair and body entrapment.

**Fig. 23**

Salon® Spa System Reference Illustrations

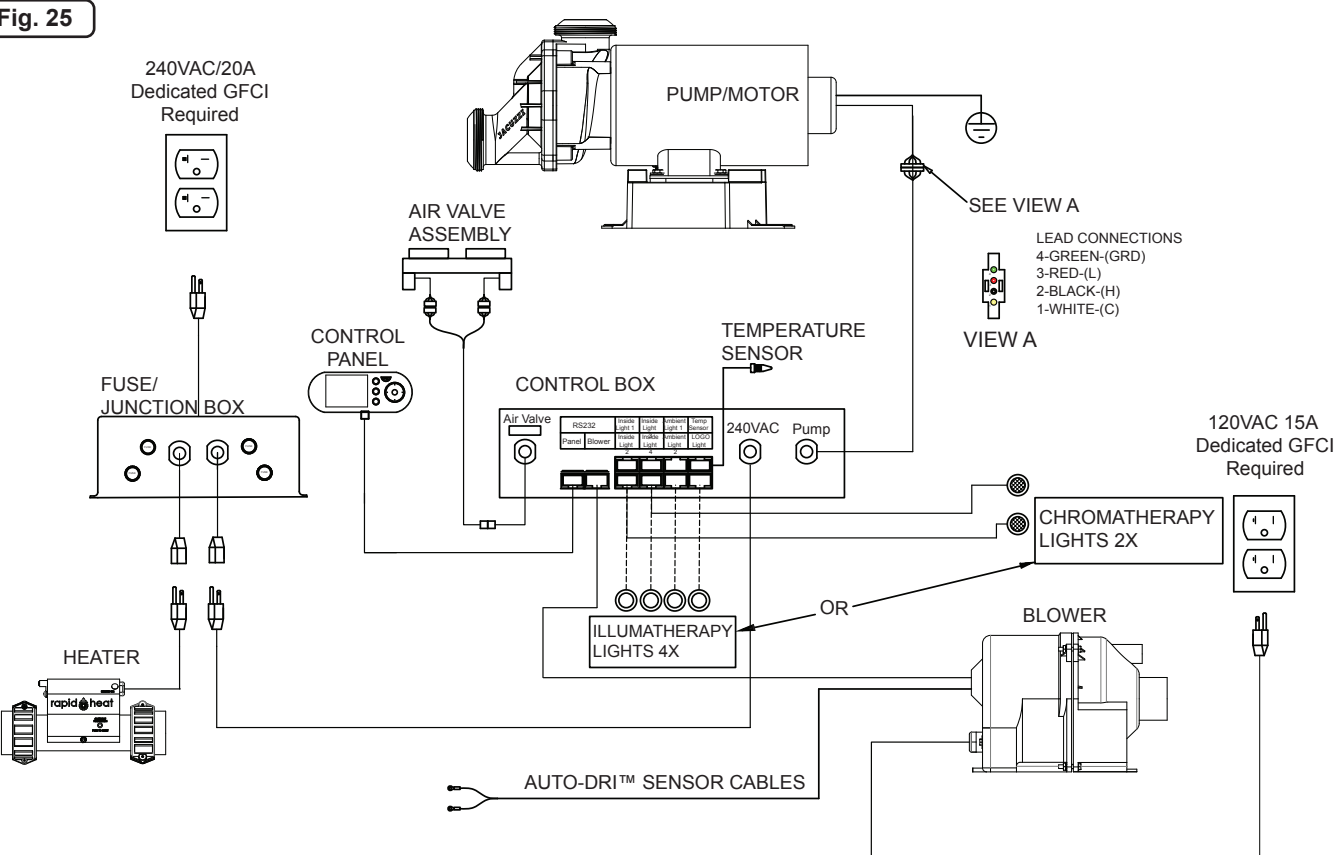
J4 Control Panel Salon® Spa Schematic Diagram

Fig. 24



J5 Control Panel Salon® Spa Schematic Diagram

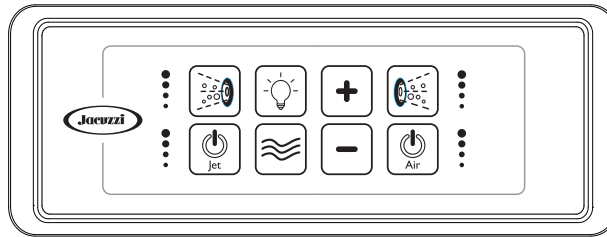
Fig. 25



Salon® Spa Operations

J4 Salon® Spa Controls

Fig. 26



NOTE: When switching between functions, the LED for the newly selected function will FLASH once to indicate selection.



WHIRLPOOL

- Press to turn ON
- Press again to turn OFF
- Use toggles to control speed



INCREASE TOGGLE

- Press to increase selected feature
- Press and hold 5 seconds to set/cancel daily Auto-Dri™
- Press to increase light intensity
- Press to turn ON lights at last color used from OFF



DECREASE TOGGLE

- Press to decrease the selected feature
- Press to decrease light intensity all the way down to OFF



LEFT AIR VALVE CONTROL

- Press to activate the left air valve
- Use toggles to control air mix



RIGHT AIR VALVE CONTROL

- Press to activate the right air valve
- Use toggles to control air mix



WAVE FEATURE

- Press to turn Wave ON
- Press to turn Wave OFF
- +/- keys can be used to adjust maximum intensity.



CHROMATHERAPY

- Press once to turn lights ON at white level 2
- Press again to cycle colors
- Press again to stop at the current color
- Press again to restart the cycle
- Color Sequence: White, Purple, Blue, Turquoise, Green, Yellow, Orange, Red, Pink, Repeat



STATUS LED

- Relays the current intensity of selected feature



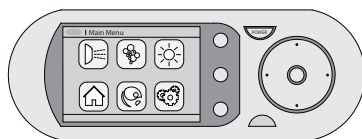
PURE AIR® FEATURE

- Press to turn ON
- Press again to turn OFF
- Use toggles to control intensity

Pure Air® and Auto-Dri™ Air Channels

For complete operating instructions reference page 5.

J5 Salon® Spa Controls



J5 Control Panel

Optional J5 Luxury LCD Control Panel: Operation instructions for this panel are outlined in the supplemental guide provided in your warranty pack. Refer to this document for complete operation details (P/N GU47000).

Controlling Whirlpool Direction and Flow

For complete operating instructions reference page 12.

Troubleshooting Procedures

PROBLEM	PROBABLE CAUSES	REMEDY
Pump/motor does not start	<ul style="list-style-type: none"> • No power to pump/motor • Pump/motor not plugged in • Pump/motor faulty 	<ul style="list-style-type: none"> • Reset GFCI • Insert plug securely into outlet • Ensure control panel is connected to control box • Contact Jacuzzi Luxury Bath @ 800-288-4002
Pump/motor operates but no fully adjustable jets are functioning	<ul style="list-style-type: none"> • Jets are closed • Suction cover/strainer may be clogged 	<ul style="list-style-type: none"> • Open jets by rotating counter-clockwise • With the motor turned OFF, remove the suction cover/strainer and remove any debris. Replace the suction cover before operating
Pump/motor operates but air is not injected into the water	<ul style="list-style-type: none"> • Air valves are closed 	<ul style="list-style-type: none"> • Open air control valves
Water leakage from pump unions	<ul style="list-style-type: none"> • Overtightened, O-ring may be pinched or improperly seated, undertightened 	<ul style="list-style-type: none"> • Loosen unions, check and reseal O-ring. If O-ring has been pinched out of shape, replace (refer to number below). When tightening union nuts, hand tighten only
Pump/motor shuts off by itself before time elapses	<ul style="list-style-type: none"> • Motor thermal protection has deactivated pump/motor due to overheating (supply voltage low) • GFCI tripped • Inadequate supply wiring 	<ul style="list-style-type: none"> • Let motor cool; thermal protection will reset. Check for proper ventilation (check supply voltage) • Reset GFCI; if it continues to trip, do not use this unit. Disconnect the unit and have the problem corrected by a licensed electrician before using • Consult a licensed electrician to correct the wiring unit
Chromatherapy lights do not operate	<ul style="list-style-type: none"> • Connector has come loose 	<ul style="list-style-type: none"> • Contact Jacuzzi Luxury Bath @ 800-288-4002
Blower does not start	<ul style="list-style-type: none"> • No power to pump/motor • Blower not connected • Blower faulty 	<ul style="list-style-type: none"> • Reset GFCI and/or breaker • Ensure plug is fully in outlet • Ensure control panel is connected to control box • Ensure control box is connected to control panel • Contact Jacuzzi Luxury Bath @ 800-288-4002
Blower operates but NO air is exiting the holes	<ul style="list-style-type: none"> • Check valves are stuck in the closed position 	<ul style="list-style-type: none"> • Contact Jacuzzi Luxury Bath @ 800-288-4002
Blower operates but air is not exiting all of the holes	<ul style="list-style-type: none"> • Blower intensity is not sufficient • Obstructed air holes 	<ul style="list-style-type: none"> • Increase the blower intensity. NOTE: The system is designed such that all air channels operate at the 4th blower setting. • Remove debris with a toothpick or tooth brush
Blower shuts off unexpectedly	<ul style="list-style-type: none"> • 20 minute timer has elapsed • GFCI tripped • Inadequate supply wiring • Improper ventilation • Connector has come loose 	<ul style="list-style-type: none"> • Turn on blower • Reset GFCI; if it continues to trip, do not use the unit • Consult a licensed electrician to correct • Contact Jacuzzi Luxury Bath @ 800-288-4002
Drain assist Auto-Dri™ cycle comes on multiple times	<ul style="list-style-type: none"> • Water sensors detect multiple wet and dry conditions 	<ul style="list-style-type: none"> • If during a Auto-Dri™ cycle, water is coming in contact with both sensors, the system is working as designed and will continue to Auto-Dri™ until excess water is expelled • Remove any washcloth or toy that may be covering the sensors
Drain assist Auto-Dri™ does not come on 5 minutes after bathtub is drained out completely	<ul style="list-style-type: none"> • Water sensors not connected and not detecting water being drained out of the tub • Faulty control box 	<ul style="list-style-type: none"> • Contact Jacuzzi Luxury Bath @ 800-288-4002
Water not maintaining temperature	<ul style="list-style-type: none"> • High limit switch on heater has tripped 	<ul style="list-style-type: none"> • Press Reset button on heater
Waterfall not working	<ul style="list-style-type: none"> • Whirlpool function not on • Waterfall control knob is in the OFF position • Debris in waterfall outlet 	<ul style="list-style-type: none"> • Turn on whirlpool • Turn waterfall control knob counter-clockwise until water flow is at the desired flow • Use a thin, rigid and non-abrasive material (ie. credit card) and gently swipe back and forth until debris is cleared away from the waterfall opening



If the unit is within the warranty period, contact Jacuzzi Luxury Bath Service Support at 1-800-288-4002 with your bath's serial number before work is started. The serial number is located on the Specification/Serial Number Plate.

Notes:



MANUEL D'UTILISATION

Pure Air^{MD}

Baignoire d'hydromassage

Spa Salon^{MD}

Jacuzzi Luxury Bath
14525 Avenue Monte Vista
Chino, CA 91710 États-Unis
1-800-288-4002
www.jacuzzi.com

Table des matières

Renseignements généraux sur l'utilisation.....	2
Illustration de référence d'un système Pure Air ^{MD}	3
Opérations de Pure Air ^{MD}	4
Canaux d'air Pure Air ^{MD} Auto-Dri ^{MC}	5
Illustrations de référence du système de baignoire d'hydromassage.....	6-7
Opérations de la baignoire d'hydromassage.....	8-9
Schémas de référence du système de chauffage.....	10-11
RapidHeat ^{MC}	12
Nettoyage.....	13
Entretien.....	13-14
Illustrations de référence du système de spa Salon ^{MD}	15
Opérations du spa Salon ^{MD}	16
Procédures de dépannage.....	17

**For Spanish and French installation instructions, please visit www.jacuzzi.com/baths/support/owners-manuals/.*

**Para instrucciones de instalación en español, por favor visite www.jacuzzi.com/baths/support/owners-manuals/.*

**Pour les directives d'installation en français canadien, veuillez visiter www.jacuzzi.com/baths/support/owners-manuals/.*

Renseignements généraux sur l'utilisation

Toutes les baignoires fabriquées par Jacuzzi Luxury Bath sont conçues pour « remplissage et évacuation », ce qui signifie que la baignoire doit être vidée après chaque utilisation et remplie d'eau fraîche par le baigneur suivant. Il s'agit d'une précaution de santé puisque ces baignoires ne sont pas conçues pour conserver de l'eau continuellement comme les piscines ou les spas.

Fermez l'évacuation et remplissez la baignoire jusqu'à ce que l'eau soit à au moins 25 à 51 mm (1 à 2 po) au-dessus du jet le plus élevé ou de l'entrée d'air (reportez-vous à la ligne d'eau indiquée dans l'illustration – Figure 1). Ne mettez pas le système PureAir^{MD} de la baignoire d'hydromassage en marche si les jets ou commandes d'air ne sont pas complètement immergés dans l'eau. Faire fonctionner la baignoire d'hydromassage ou le système PureAir^{MD} lorsqu'il n'y a pas assez d'eau peut entraîner la pulvérisation de l'eau à l'extérieur de la baignoire.



ATTENTION : lorsque vous sortez de la baignoire, le niveau d'eau s'abaissera sous les jets ce qui pourrait entraîner la pulvérisation de l'eau à l'extérieur de la baignoire. Pour empêcher cette pulvérisation, vous devez éteindre l'unité avant de sortir de la baignoire.

Fig. 1

Remplir jusqu'à une distance d'au moins 2,5 à 5 cm au-dessus du jet le plus élevé

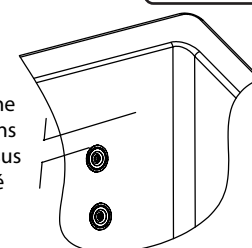


Illustration de référence d'un système Pure Air^{MD}

⚠ Ces illustrations ne sont offertes qu'à titre de référence puisque l'unité est vendue entièrement assemblée

⚡ DANGER : RISQUE DE DÉCHARGE ÉLECTRIQUE! Avant de réparer ces connexions, débranchez tous les câbles d'alimentation électrique des services à 120 volts CA.

Diagramme schématique du panneau de commande J2 Pure Air^{MD}

Fig. 2

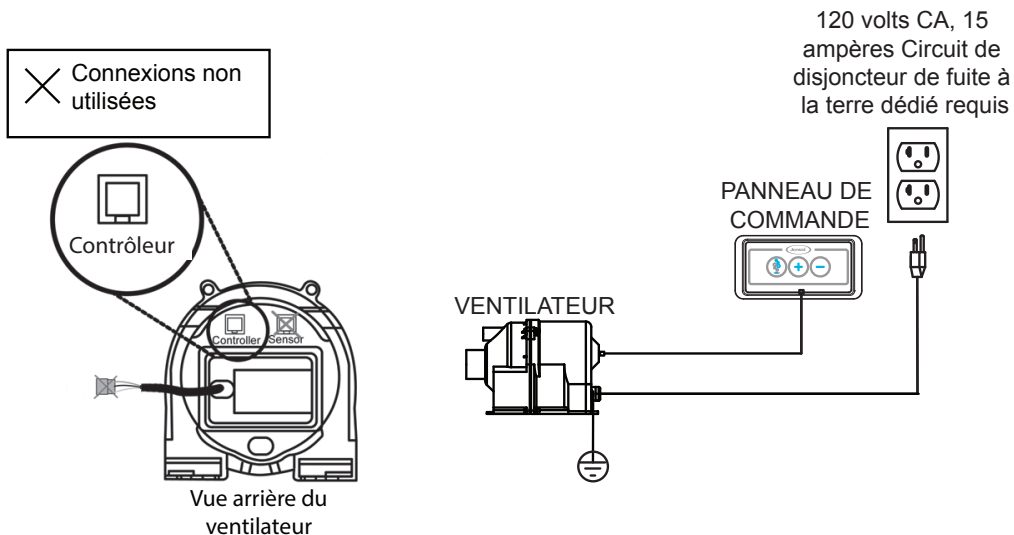
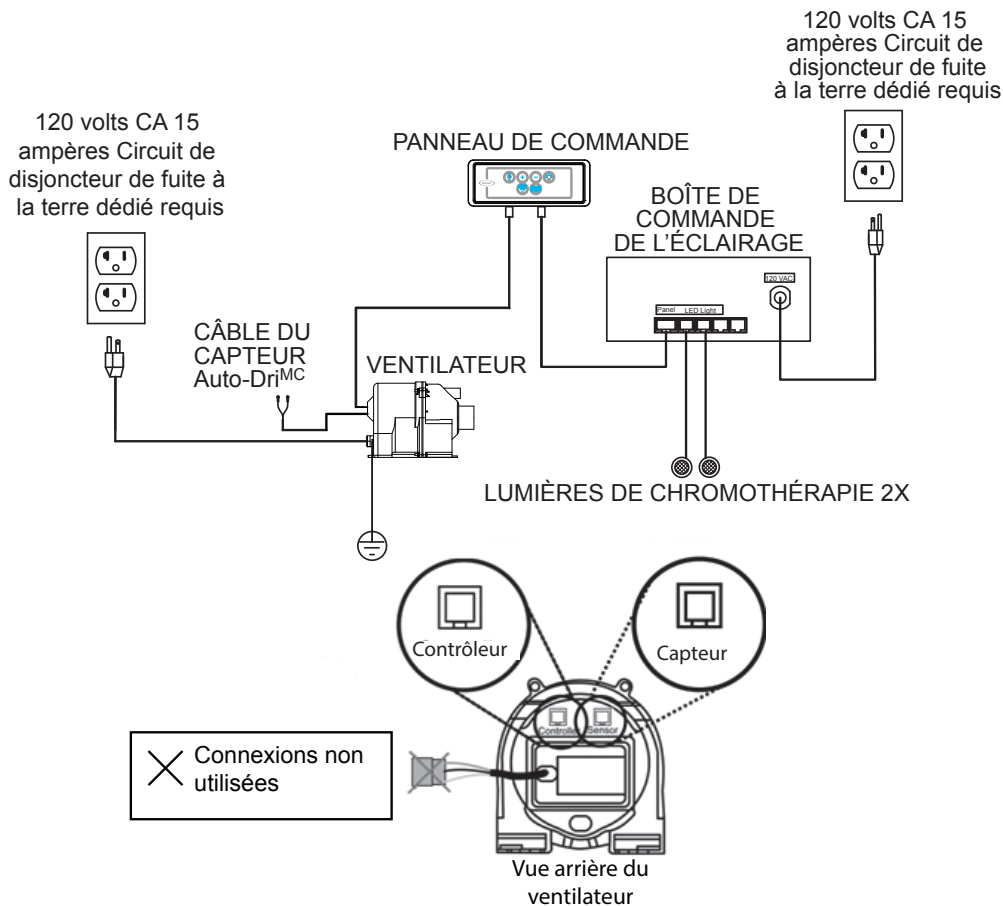


Diagramme schématique du panneau de commande J4 Pure Air^{MD}

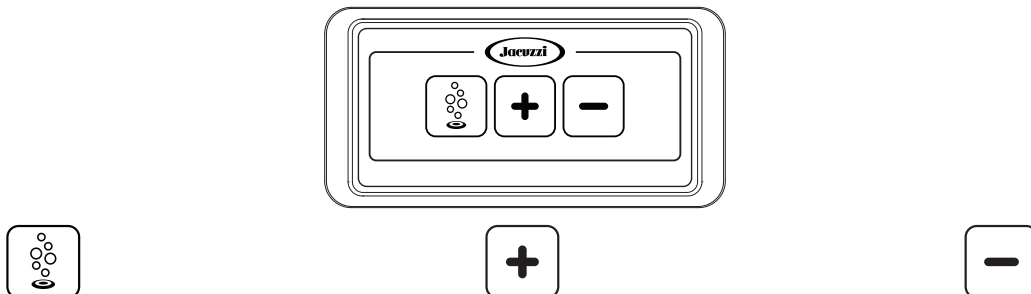
Fig. 3



Opérations de Pure Air^{MD}

Contrôles J2 Pure Air^{MD}

Fig. 4



FONCTIONNEMENT DU VENTILATEUR

- Appuyez une fois pour allumer
- Appuyez une nouvelle fois pour éteindre

REMARQUE : le dernier réglage utilisé du ventilateur est gardé en mémoire par le système et sera automatiquement utilisé lors de l'utilisation suivante.

BOUTON D'AUGMENTATION

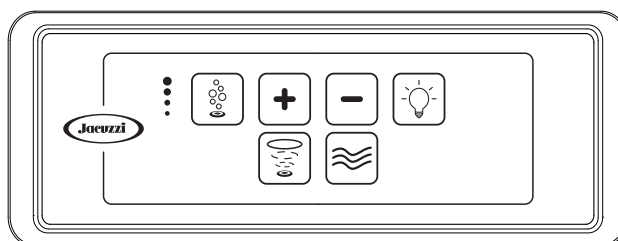
- Appuyez pour augmenter l'intensité
- Appuyez et enfoncez 5 secondes pour régler/annuler la fonction Auto-Dri^{MC} quotidienne
- Sinon, vous pouvez appuyer et enfoncer le bouton pour augmenter le niveau d'intensité.

BOUTON DE RÉDUCTION

- Appuyez pour réduire l'intensité du ventilateur
- Sinon, vous pouvez appuyer et enfoncer le bouton pour réduire le niveau d'intensité.

Contrôles J4 Pure Air^{MD}

Fig. 5



REMARQUE : lorsque vous basculez entre les fonctions, la DEL de la nouvelle fonction sélectionnée CLIGNOTE une fois pour indiquer la sélection



FONCTIONNEMENT DU VENTILATEUR

- Appuyez pour allumer
- Appuyez une nouvelle fois pour éteindre
- Utilisez les boutons pour contrôler la vitesse



BOUTON D'AUGMENTATION

- Appuyez pour augmenter la fonction sélectionnée
- Appuyez et enfoncez 5 secondes pour régler/annuler la fonction Auto-Dri^{MC} quotidienne
- Appuyez pour augmenter l'intensité de l'éclairage
- Appuyez sur le bouton pour allumer l'éclairage à la dernière couleur utilisée lors de la mise hors tension



BOUTON DE RÉDUCTION

- **Appuyez pour réduire la fonction sélectionnée**
- Appuyez sur le bouton pour réduire l'intensité de l'éclairage jusqu'à l'éteindre



CHROMOTHÉRAPIE

- Appuyez une fois sur le bouton pour allumer l'éclairage en blanc, niveau 2
- Appuyez à nouveau sur le bouton pour faire défiler les couleurs
- Appuyez à nouveau sur le bouton pour arrêter à la couleur actuelle
- Appuyez à nouveau sur le bouton pour redémarrer le cycle
- Séquence des couleurs : blanc, violet, bleu, turquoise, vert, jaune, orange, rouge, rose, répétition



FONCTION DE PULSATION

- Appuyez pour mettre la fonction Pulsation en marche
- Appuyez pour arrêter la fonction Pulsation
- Les touches +/- peuvent être utilisées pour ajuster l'intensité maximale de l'air



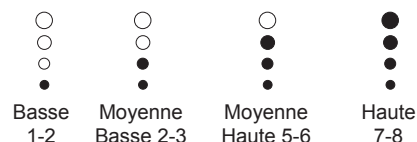
FONCTION VAGUE

- Appuyez pour mettre la fonction Vague en marche
- Appuyez pour arrêter la fonction Vague
- Les touches +/- peuvent être utilisées pour ajuster l'intensité maximale



DEL D'ÉTAT

Indique l'intensité actuelle de la fonction sélectionnée




Canaux d'air Pure Air^{MD} Auto-Dri^{MC}


Canaux d'air J2 Auto-Dri^{MC}

Le ventilateur se met en marche pendant 20 minutes, puis s'arrête automatiquement, sauf si l'alimentation est coupée manuellement. Dans un cas comme dans l'autre, 20 minutes après s'être arrêté, le ventilateur se remet en MARCHE pour un cycle de séchage d'une minute, afin de souffler toute eau restant dans le système d'air.

Si vous utilisez la baignoire sans faire fonctionner le ventilateur (douche ou bain sans utilisation du système PureAir^{MD}), lancez le cycle de séchage d'une minute manuellement avec l'interrupteur MARCHE/ARRÊT. Mettez l'interrupteur sur MARCHE et à nouveau sur ARRÊT quand vous sortez du bain et le cycle de séchage se déclenchera dans 20 minutes.

Cycle J2 Auto-Dri^{MC} quotidien

Pour activer : maintenir le bouton  enfoncé pendant cinq secondes lorsque le ventilateur est éteint active le cycle Auto-Dri^{MC} quotidien. Le ventilateur démarre tous les jours à la même heure pendant une minute. Une fois le cycle Auto-Dri^{MC} quotidien activé, le ventilateur s'allume pendant une seconde, s'éteint pendant deux secondes, s'allume pendant une seconde puis s'éteint.

Pour désactiver : maintenir le bouton  enfoncé pendant cinq secondes lorsque le ventilateur est éteint désactive le cycle Auto-Dri^{MC} quotidien. Lorsque le cycle Auto-Dri^{MC} quotidien est désactivé, le ventilateur s'allume pendant une seconde puis s'éteint.


Canaux d'air J4 Auto-Dri^{MC}

Le cycle Auto-Dri^{MC} est automatique et réduit l'accumulation excessive d'eau résiduelle dans les conduites d'air.

Il existe deux cycles Auto-Dri^{MC} : le cycle Auto-Dri^{MC} à vidange aidée par l'évacuation et le cycle Auto-Dri^{MC} quotidien.

Assistance de vidange J4

Le cycle de Auto-Dri^{MC} est aidé par capteur – deux capteurs (cadrans métalliques) sont situés près de l'évacuation de la baignoire. Les capteurs détectent la présence ou l'absence d'eau dans la baignoire.

 Pour assurer le fonctionnement efficace et adéquat des capteurs d'eau, il est important de les garder propres et libres d'obstruction ou d'objets.

Après avoir pris un bain et avoir vidé la baignoire, les capteurs détectent un état « sans eau ». Un délai de cinq minutes s'écoule, puis le ventilateur est activé. Le ventilateur passera à travers une étendue de vitesses pendant 2 ½ minutes, pendant lesquelles 2 ou 3 voyants lumineux clignoteront à différentes vitesses.

- Le cycle de Auto-Dri^{MC} s'activera même si le ventilateur n'est pas utilisé pendant le bain.
- Le cycle peut s'initier plus d'une fois si les capteurs deviennent mouillés pendant toute partie de l'opération Auto-Dri^{MC} ou pendant un nettoyage de routine de la baignoire. Ce phénomène est normal et n'a pas besoin d'être réparé.

Cycle J4 Auto-Dri^{MC} quotidien

Chaque jour, le ventilateur active automatiquement un cycle Auto-Dri^{MC} quotidien. Le ventilateur fonctionnera pendant une minute au réglage élevé et pendant 15 seconds à la moitié de la puissance maximale.

Pour définir l'heure du cycle Auto-Dri^{MC} : attendez qu'il soit l'heure à laquelle vous souhaitez que le cycle Auto-Dri^{MC} quotidien s'active. Avec le ventilateur éteint, enfoncez et tenez le bouton (+) pendant cinq secondes. Pour confirmer que vous avez réglé l'heure, le ventilateur se mettra en marche et s'éteindra deux fois pendant une période de 4 secondes.

Pour annuler le cycle Auto-Dri^{MC}-quotidien : Avec le ventilateur éteint, enfoncez et tenez le bouton (+) pendant cinq secondes. Pour confirmer que vous avez annulé le cycle Auto-Dri^{MC}, le ventilateur se mettra en marche pendant 1 seconde, puis s'éteindra.

 Vous devez configurer le cycle Auto-Dri^{MC} lors de l'installation; aucun cycle Auto-Dri^{MC} n'est prédéfini par défaut.

 En cas de panne de courant, le système retournera au réglage cycle Auto-Dri^{MC} quotidien

Illustrations de référence du système de baignoire d'hydromassage

Diagramme schématique de la baignoire d'hydromassage à bouton poussoir

Fig. 6

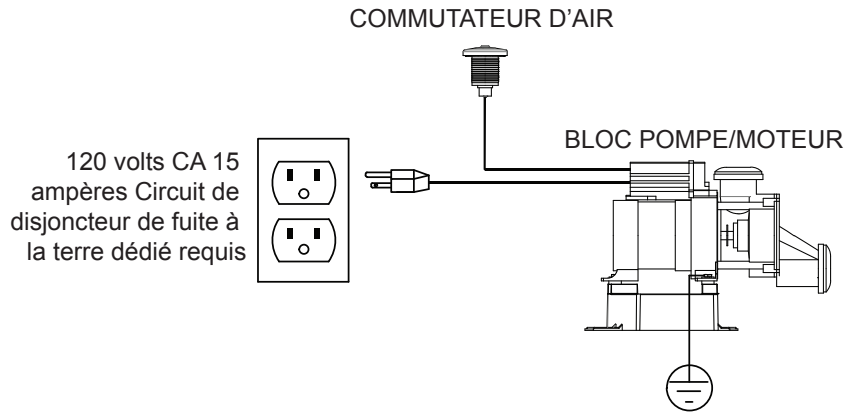
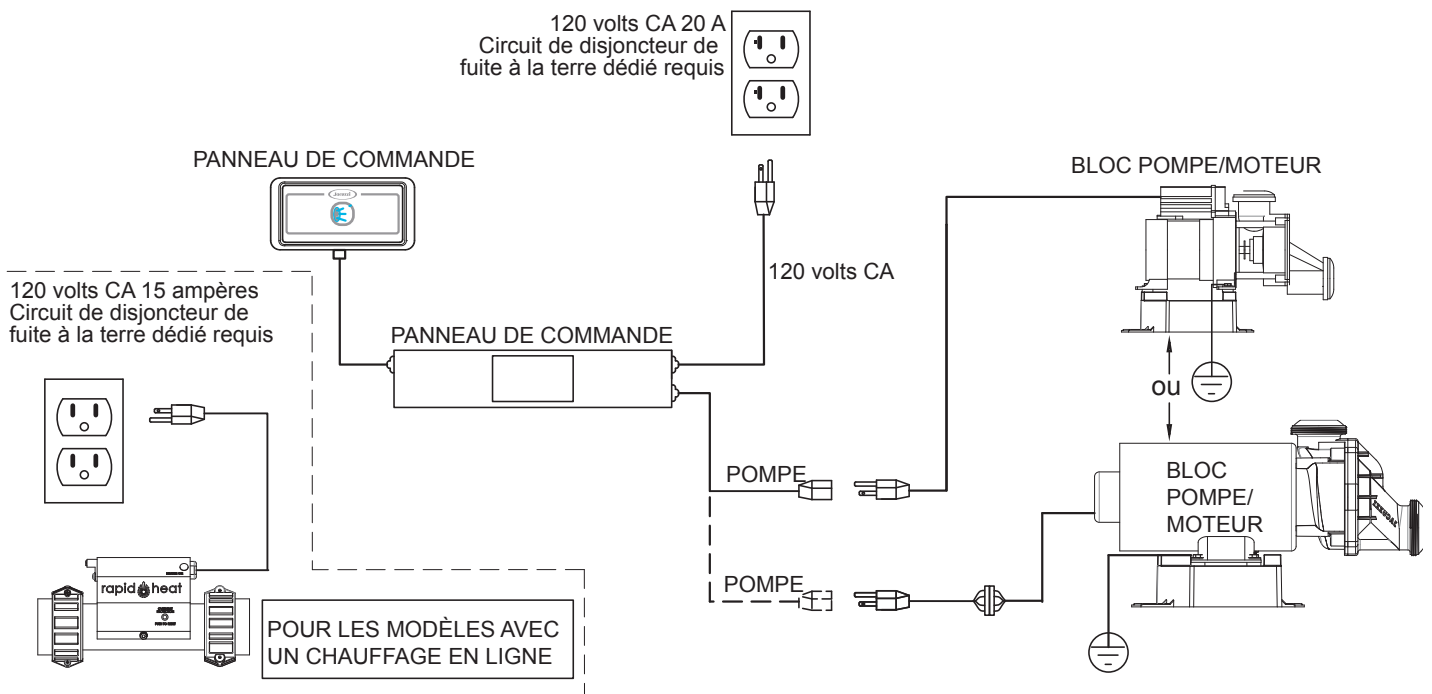


Diagramme schématique de la baignoire d'hydromassage à panneau de commande J2

Fig. 7



Illustrations de référence du système de baignoire d'hydromassage (suite)

Diagramme schématique de la baignoire d'hydromassage à panneau de commande J2 avec chromothérapie

Fig. 8

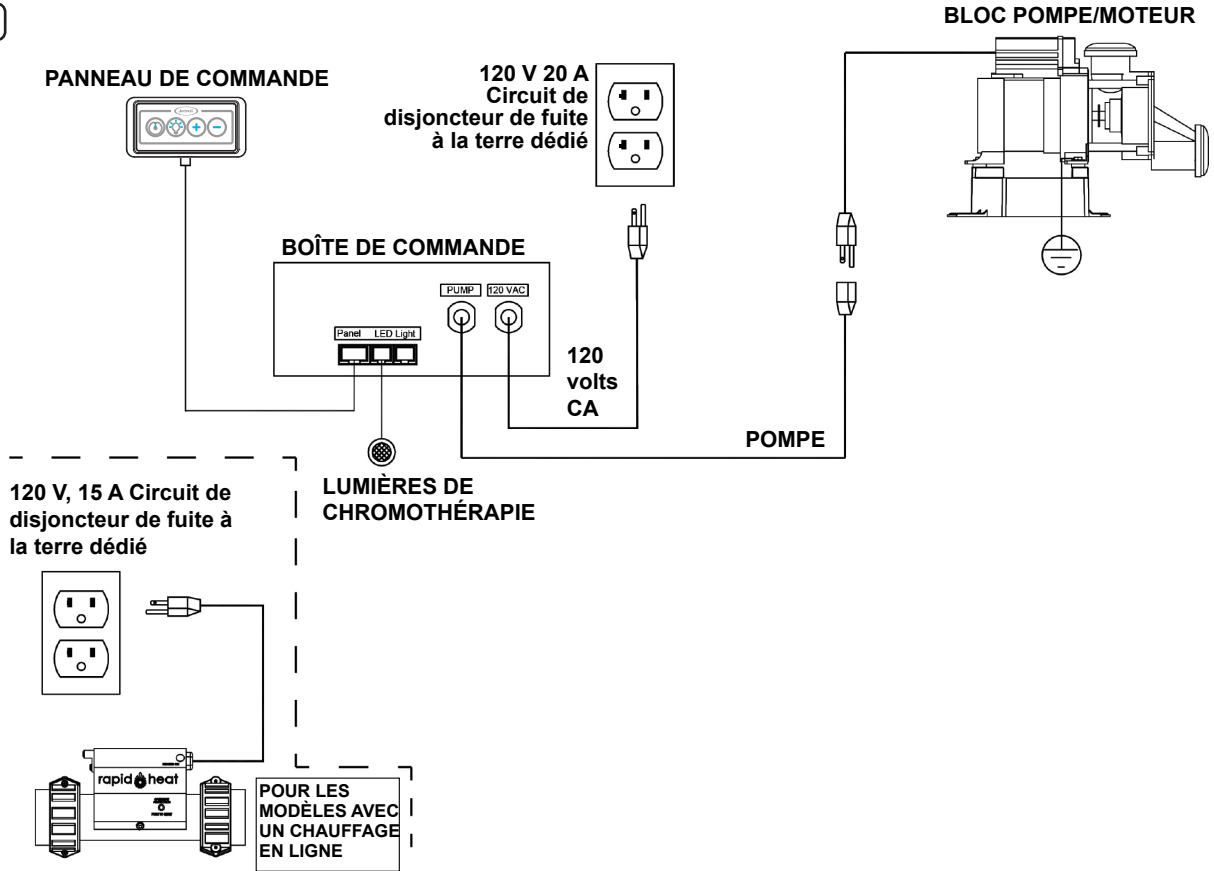
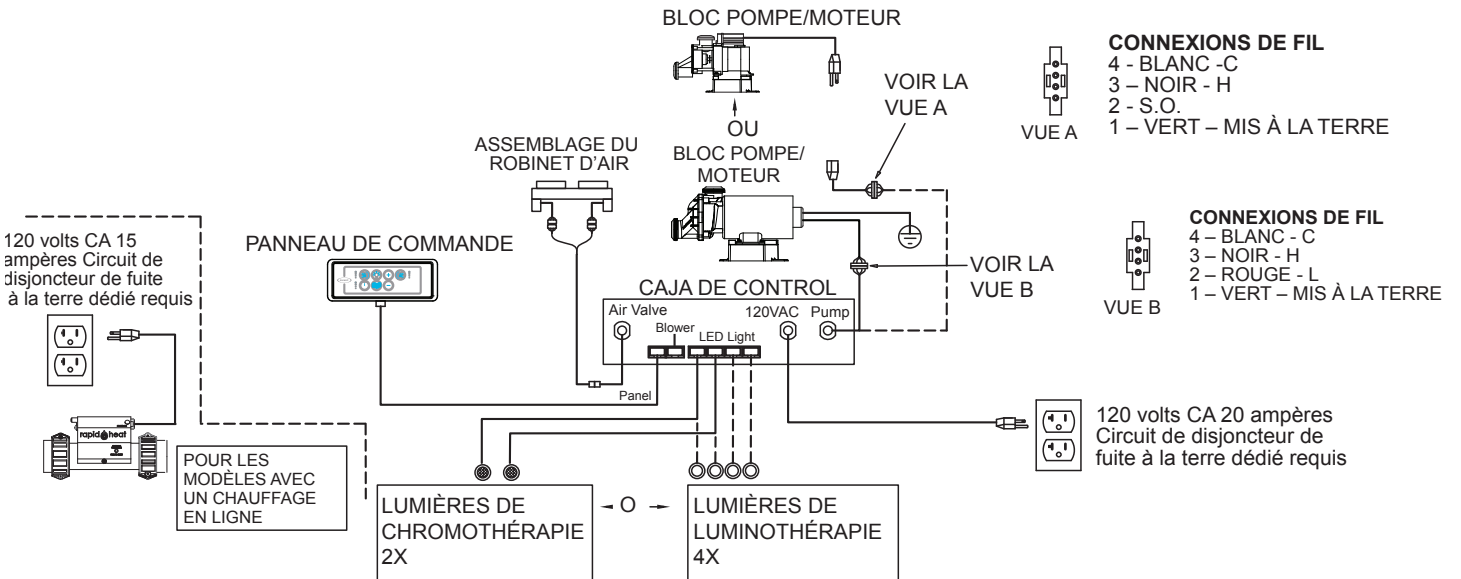


Diagramme schématique de la baignoire d'hydromassage à panneau de commande J4

Fig. 9



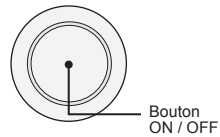
Opérations de la baignoire d'hydromassage

Bouton ON / OFF

Fig. 10A

Enfoncez le bouton pour mettre le système de massage en marche.

Enfoncez le bouton pour éteindre le système de massage en marche.

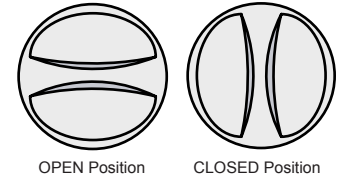


Commande du massage

Fig. 10B

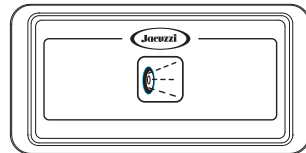
À la position fermée, les jets massent avec de l'eau seulement.

À la position ouverte, de l'air est mélangé avec l'eau pour créer un large panache profond de bulles de massage.



Commandes de la baignoire d'hydromassage J2

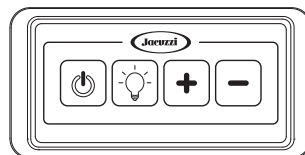
Fig. 11



- Appuyez une fois pour allumer.
- Appuyez une nouvelle fois pour éteindre.

Commandes de la baignoire d'hydromassage J2 avec contrôles de chromothérapie

Fig. 12



- Appuyez une fois pour allumer.
- Appuyez une nouvelle fois pour éteindre.



CHROMOTHÉRAPIE

- Appuyez une fois sur le bouton pour allumer l'éclairage en blanc, niveau 2
- Appuyez à nouveau sur le bouton pour faire défiler les couleurs
- Appuyez à nouveau sur le bouton pour arrêter à la couleur actuelle
- Appuyez à nouveau sur le bouton pour redémarrer le cycle
- Séquence des couleurs : blanc, violet, bleu, turquoise, vert, jaune, orange, rouge, rose, répétition



BOUTON D'AUGMENTATION

- Appuyez sur le bouton pour augmenter l'intensité de l'éclairage
- Appuyez sur le bouton pour allumer l'éclairage à la dernière couleur utilisée lors de la mise hors tension

REMARQUE : la couleur d'éclairage par défaut est blanc, niveau 2.



BOUTON DE RÉDUCTION

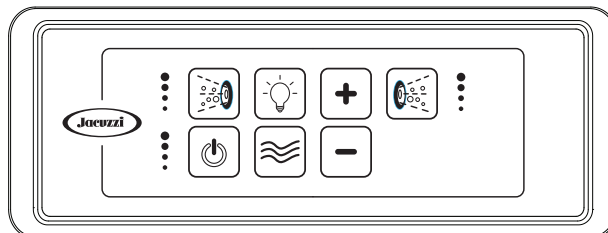
- Appuyez sur le bouton pour réduire l'intensité de l'éclairage jusqu'à l'éteindre

REMARQUE : la couleur d'éclairage par défaut est blanc, niveau 2.

Opérations de la baignoire d'hydromassage (Suite)

Commandes de la baignoire d'hydromassage J4

Fig. 13



REMARQUE : lorsque vous basculez entre les fonctions, la DEL de la nouvelle fonction sélectionnée CLIGNOTE une fois pour indiquer la sélection.



BAIGNOIRE D'HYDROMASSAGE

- Appuyez pour allumer
- Appuyez une nouvelle fois pour éteindre
- Utilisez les boutons pour contrôler la vitesse*

* La commande de vitesse des tourbillons est uniquement possible sur les modèles équipés de moteurs à 2 vitesses.

BOUTON D'AUGMENTATION

- Appuyez pour augmenter la fonction sélectionnée
- Appuyez pour augmenter l'intensité de l'éclairage
- Appuyez sur le bouton pour allumer l'éclairage à la dernière couleur utilisée lors de la mise hors tension



BOUTON DE RÉDUCTION

- Appuyez pour réduire la fonction sélectionnée
- Appuyez sur le bouton pour réduire l'intensité de l'éclairage jusqu'à l'éteindre



RÉGULATEUR D'AIR GAUCHE

- Appuyez pour activer le régulateur d'air gauche
- Utilisez les boutons pour contrôler le mélange d'air



RÉGULATEUR D'AIR DROIT

- Appuyez pour activer le régulateur d'air droit
- Utilisez les boutons pour contrôler le mélange d'air



FONCTION VAGUE

- Appuyez pour mettre la fonction Vague en marche
- Appuyez pour arrêter la fonction Vague
- Les touches +/- peuvent être utilisées pour ajuster l'intensité maximale



CHROMOTHÉRAPIE

- Appuyez une fois sur le bouton pour allumer l'éclairage en blanc, niveau 2
- Appuyez à nouveau sur le bouton pour faire défiler les couleurs
- Appuyez à nouveau sur le bouton pour arrêter à la couleur actuelle
- Appuyez à nouveau sur le bouton pour redémarrer le cycle
- Séquence des couleurs : blanc, violet, bleu, turquoise, vert, jaune, orange, rouge, rose, répétition

DEL D'ÉTAT

- Indique l'intensité actuelle de la fonction sélectionnée
-

Schémas de référence du système de chauffage

Schéma du système de chauffage du panneau de commande J2V

Fig. 14

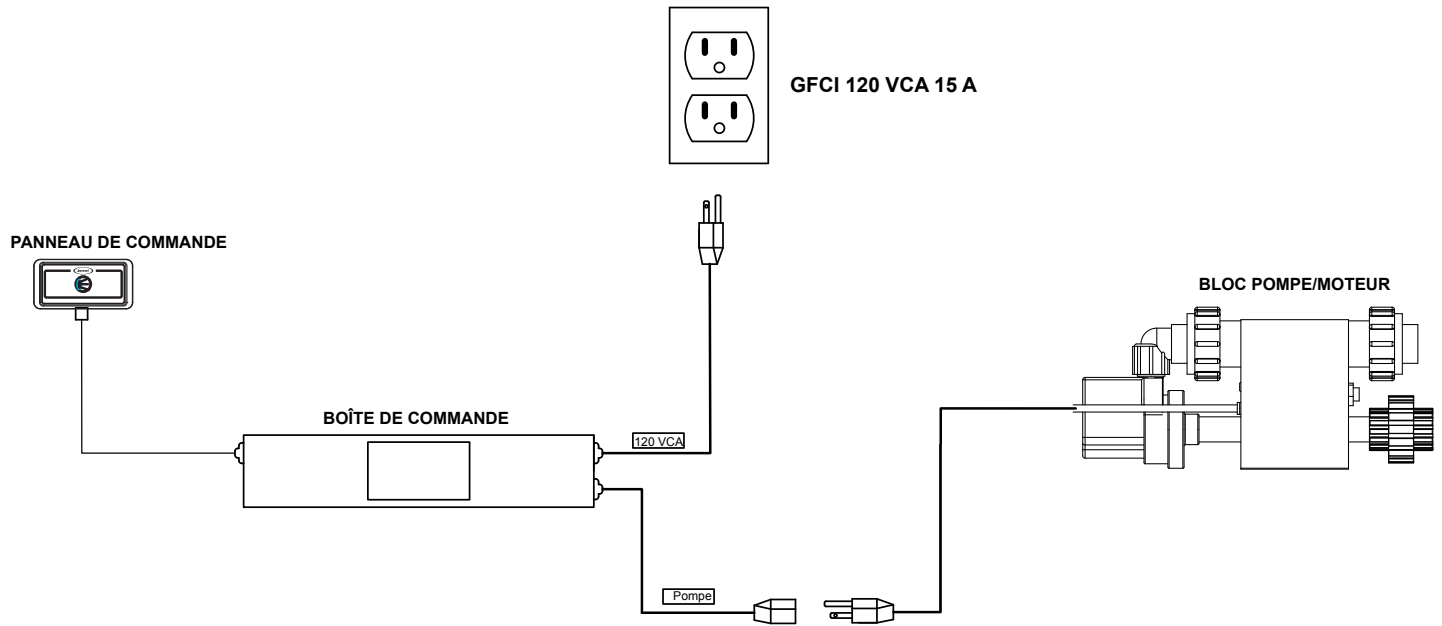
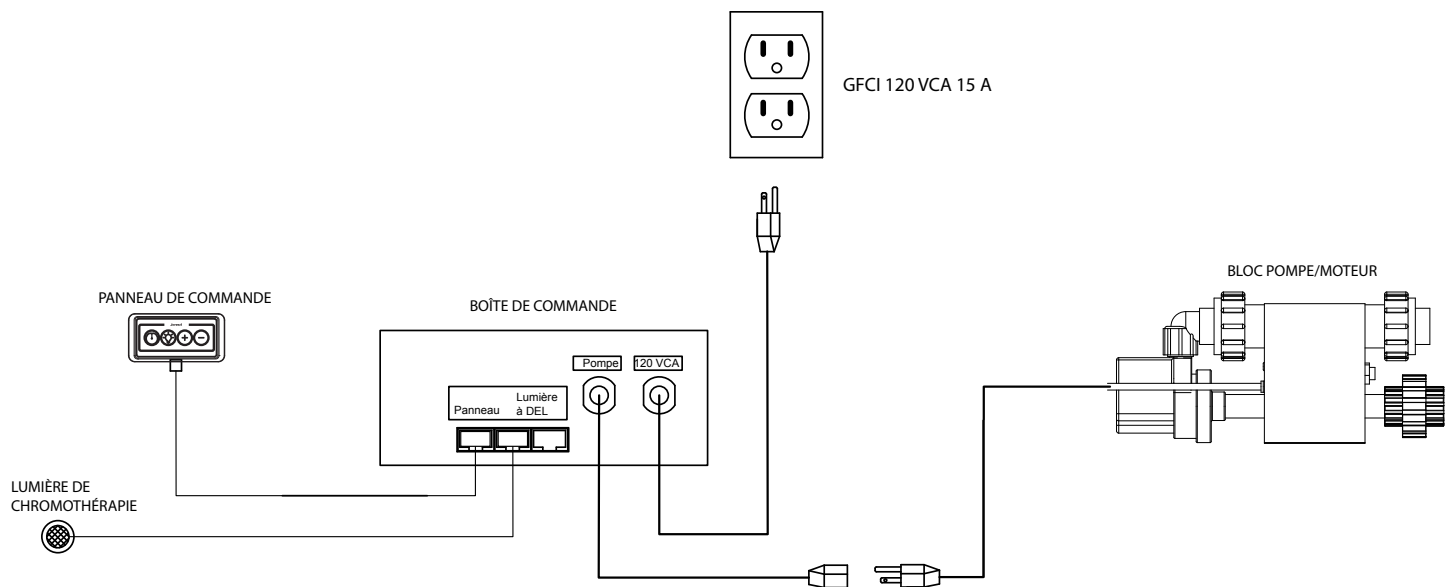


Schéma du système de chauffage avec panneau de commande J2 et chromothérapie

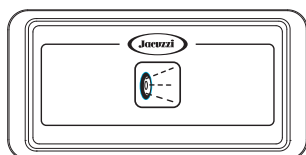
Fig. 15



Schémas de référence du système de chauffage (suite)

Commandes de chauffage J2

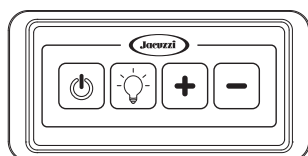
Fig. 16



- Appuyez une fois pour allumer.
- Appuyez une nouvelle fois pour éteindre.

Chauffage J2 avec commandes de chromothérapie

Fig. 17



- Appuyez une fois pour allumer.
- Appuyez une nouvelle fois pour éteindre.



CHROMOTHÉRAPIE

- Appuyez une fois sur le bouton pour allumer l'éclairage en blanc, niveau 2
- Appuyez à nouveau sur le bouton pour faire défiler les couleurs
- Appuyez à nouveau sur le bouton pour vous arrêter à la couleur actuelle
- Appuyez à nouveau sur le bouton pour redémarrer le cycle
- Séquence des couleurs : blanc, violet, bleu, turquoise, vert, jaune, orange, rouge, rose, répétition



BOUTON D'AUGMENTATION

- Appuyez sur le bouton pour augmenter l'intensité de l'éclairage
- Appuyez sur le bouton pour allumer l'éclairage à la dernière couleur utilisée lors de la mise hors tension

REMARQUE : la couleur d'éclairage par défaut est blanc, niveau 2.



BOUTON DE RÉDUCTION

- Appuyez sur le bouton pour réduire l'intensité de l'éclairage jusqu'à l'éteindre
- **REMARQUE** : la couleur d'éclairage par défaut est blanc, niveau 2

Opérations de la baignoire d'hydromassage (Suite)

Contrôle de la direction & du débit de la baignoire de massage

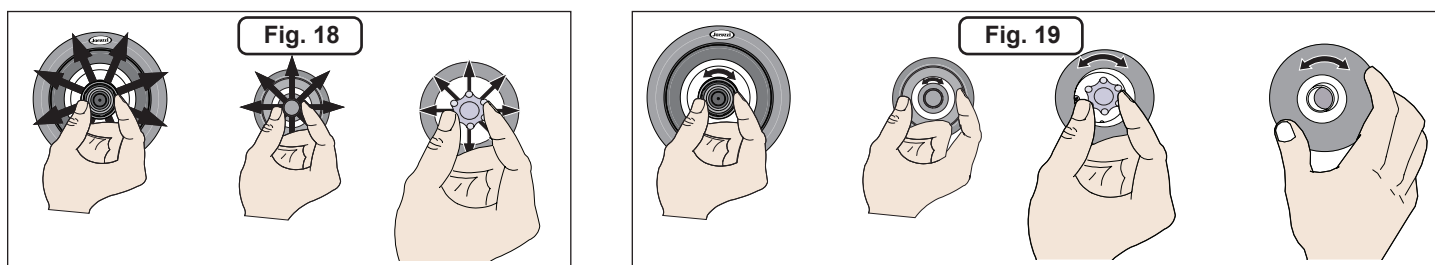
⚠ MISE EN GARDE : ne faites jamais fonctionner le système de baignoire d'hydromassage lorsque tous les jets sont fermés.

Pour régler la direction des jets :

Pour modifier la direction du débit d'eau, pivotez la buse du jet jusqu'à l'angle désiré (Figure 18).

Pour régler le débit d'eau vers les jets :

Augmentez la force du débit en tournant la buse ou la façade du jet vers la gauche (sens antihoraire). Diminuez la force du débit en tournant la buse ou la façade du jet vers la droite (sens horaire). Figure de référence 19.

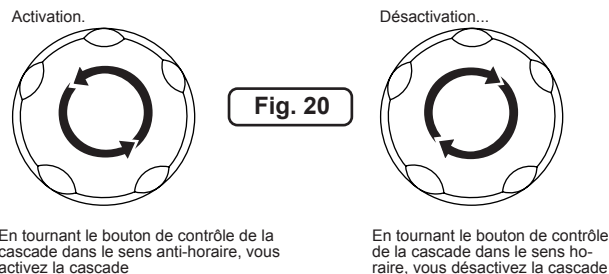


Contrôle de la cascade (modèles pertinents uniquement)

⚠ La cascade ne peut être activée que lorsque la pompe de la baignoire d'hydromassage est en marche.

Plus vous tournez le bouton de contrôle de la cascade dans le sens anti-horaire, plus le débit d'eau augmente. Figure de référence 20.

Pour éliminer les accumulations de résidus de la baignoire du système, nous vous recommandons de nettoyer votre baignoire au moins deux fois par mois. Cependant, pour obtenir de meilleurs résultats, nous vous recommandons de nettoyer votre baignoire après chaque utilisation en utilisant Systems Clean^{MC}, notre nettoyant pour système de plomberie en deux parties exclusif conçu spécialement pour les baignoires. Systems Clean^{MC} est disponible auprès des distributeurs Jacuzzi Luxury Bath agréés ou en composant le 1-800-288-4002 ou achetable en ligne sur <http://www.jacuzzi.com>



RapidHeat^{MC}

RapidHeat^{MC} (En standard sur les modèles de spa Salon^{MD})

L'élément chauffant se met en marche automatiquement dès que le fonctionnement de la baignoire de massage est actif. Le fonctionnement de l'élément chauffant n'est pas affiché sur le panneau de commande. Il y a un voyant lumineux visible sur l'élément chauffant lui-même qui indique que l'élément chauffant fonctionne (Figure 21). L'appareil de chauffage aidera à maintenir la température de l'eau dans la baignoire. Il n'est pas destiné à chauffer l'eau à la température souhaitée.

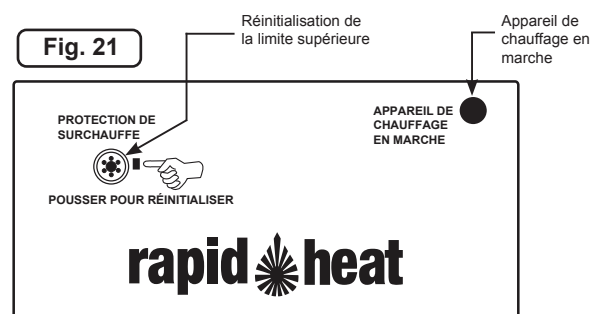
⚠ AVIS IMPORTANT : l'élément chauffant ne fonctionne que lorsque l'eau est à 77 °F ou plus. Vous devez toujours remplir la baignoire avec de l'eau tiède.

Interrupteur d'aspiration

L'élément chauffant est muni d'un interrupteur d'aspiration pré-réglé qui ne lui permettra pas de se mettre en marche si la pompe ne fonctionne pas et si l'eau ne circule pas dans le système de la baignoire de massage.

Interrupteur de limite supérieure

L'élément chauffant comprend un interrupteur de limite supérieure exclusif (Figure 21). Ce circuit de sécurité ne sera pas déclenché indûment par l'eau chaude du robinet. Il n'arrêtera l'élément chauffant que si le thermostat est défectueux. Pour réinitialiser, appuyez sur le bouton. Si la limite supérieure se déclenche souvent, veuillez communiquer avec nous à www.jacuzzi.com ou en composant le 1-800-288-4002.



Nettoyage

Systems Clean^{MC}

Pour éliminer les accumulations de résidus de la baignoire du système de la baignoire d'hydromassage, nous vous recommandons de nettoyer votre baignoire d'hydromassage au moins deux fois par mois. Pour obtenir de meilleurs résultats, nous vous recommandons de nettoyer votre baignoire d'hydromassage après chaque utilisation en utilisant Systems Clean^{MC}, notre nettoyant pour plomberie en deux parties exclusif conçu spécialement pour les baignoires d'hydromassage. Systems Clean^{MC} est offert par les distributeurs Jacuzzi Luxury Bath autorisés ou en composant directement le 1-800-288-4002 ou ils peuvent être achetés en ligne à www.jacuzzi.com/baths.

Additifs pour baignoire

⚠ MISE EN GARDE : n'utilisez pas des additifs pour baignoire à l'huile ou à base d'huile. N'utilisez jamais des nettoyants domestiques abrasifs ou caustiques sur aucun produit Jacuzzi Luxury Bath.

Si vous désirez utiliser un additif pour baignoire, utilisez seulement une petite quantité de poudre ou de substance cristalline peu moussante; l'action de la baignoire de massage intensifie les propriétés moussantes des savons.

L'utilisation de certaines huiles, de bains moussants et d'additifs pour baignoire peut augmenter le niveau d'accumulation de résidus de baignoire dans le système de la baignoire d'hydromassage et peut causer une fausse lecture des capteurs du niveau d'eau. Si une accumulation excessive persiste, vous devez cesser d'utiliser ces produits.

Pour éliminer les accumulations de résidus de la baignoire du système d'hydromassage, nous vous recommandons de nettoyer votre baignoire régulièrement. Pour obtenir de meilleurs résultats, nous vous recommandons de nettoyer votre baignoire d'hydromassage après chaque utilisation en utilisant Systems Clean^{MC}, notre nettoyant pour plomberie en deux parties exclusif conçu spécialement pour les baignoires d'hydromassage. Systems Clean^{MC} est offert à la vente auprès des distributeurs Jacuzzi Luxury Bath agréés ou en composant le 1-800-288-4002 ou achetable en ligne sur www.jacuzzi.com.

Pour nettoyer votre baignoire, utilisez simplement une solution détergente liquide douce non abrasive. Vous pouvez protéger et restaurer le lustre d'une surface acrylique dépolie en appliquant Meguiar's #10 Mirror Glaze, un produit spécifiquement conçu pour être utilisé sur les finis en acrylique. Si le produit Meguiar n'est pas disponible, utilisez une pâte à polir automobile suivie de l'application d'une cire automobile en pâte.

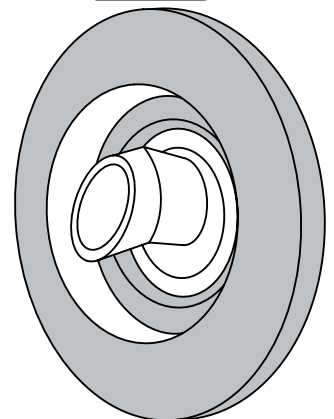
Les égratignures mineures qui ne pénètrent pas le fini en couleur peuvent être éliminées en ponçant légèrement avec un papier de verre mouillé/sec de 600 grains. Restaurez le lustre au moyen de Meguiar's Mirror Glaze ou d'une cire automobile en pâte. Les égratignures et les rainures majeures qui pénètrent la surface acrylique devront être finies à nouveau. Communiquez avec Jacuzzi Luxury Bath pour trouver un agent de service dans votre région.

Entretien

Entretien des jets rotatifs

Si des cheveux ou d'autres types de débris se prennent dans les paliers de ces jets, cela pourrait les empêcher de tourner (Figure 22). Ce problème peut nécessiter leur démontage et leur retrait. Pour ce faire, agrippez simplement la buse et tirez-la directement hors du boîtier du jet. Le caisson du palier sera fixé à la buse. Ces deux éléments peuvent être séparés en tenant le caisson et en poussant la buse hors de l'arrière du caisson. Après avoir terminé le nettoyage, remontez et réinstallez.

Fig. 22



Entretien (Suite)**Entretien de la couverture/du tamis d'aspiration d'hydromassage**

Retirez les cheveux et les débris de la couverture/du tamis d'aspiration lorsque cela s'avère nécessaire (Figure 23).

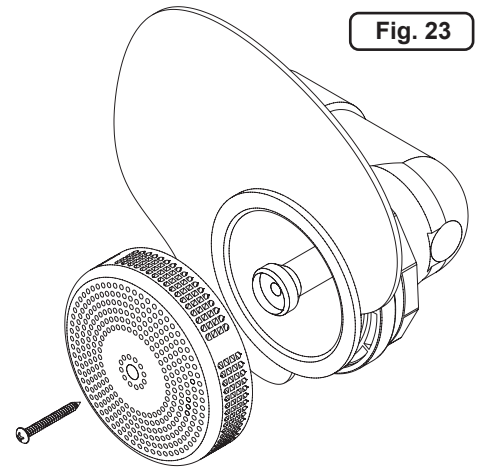
1. Retirez la vis centrale et retirez la couverture d'aspiration.
2. Nettoyez la couverture en contre-balayant les débris des trous.
3. Réinstallez la couverture d'aspiration immédiatement après le nettoyage.

⚠ AVERTISSEMENT! Pour les réinstaller, orientez la couverture/le tamis en plaçant la petite encoche dans le bas. Le joint doit être inséré dans la rainure de la couverture/du tamis avant de réinstaller sur le raccord d'aspiration.

⚠ DANGER : RISQUE DE BLESSURE GRAVE OU DE NOYADE!

Gardez les cheveux à une distance d'au moins 152 mm (6 po) du raccord d'aspiration en tout temps lorsque le système de la baignoire de massage fonctionne. Les cheveux longs (au-delà des épaules) doivent être attachés près de la tête ou encore, nous suggérons le port d'un bonnet de bain.

⚠ DANGER : RISQUE DE BLESSURE GRAVE OU DE NOYADE! Ne faites pas fonctionner le système de la baignoire d'hydromassage lorsque la couverture/le tamis d'aspiration est retiré(e)! Il s'agit d'un dispositif de sécurité et il doit toujours être en place sur le raccord d'aspiration pour minimiser les risques de piégeage des cheveux ou du corps.



Illustrations de référence du système de spa Salon^{MD}

Diagramme schématique du panneau de commande J4 du spa Salon^{MD}

Fig. 24

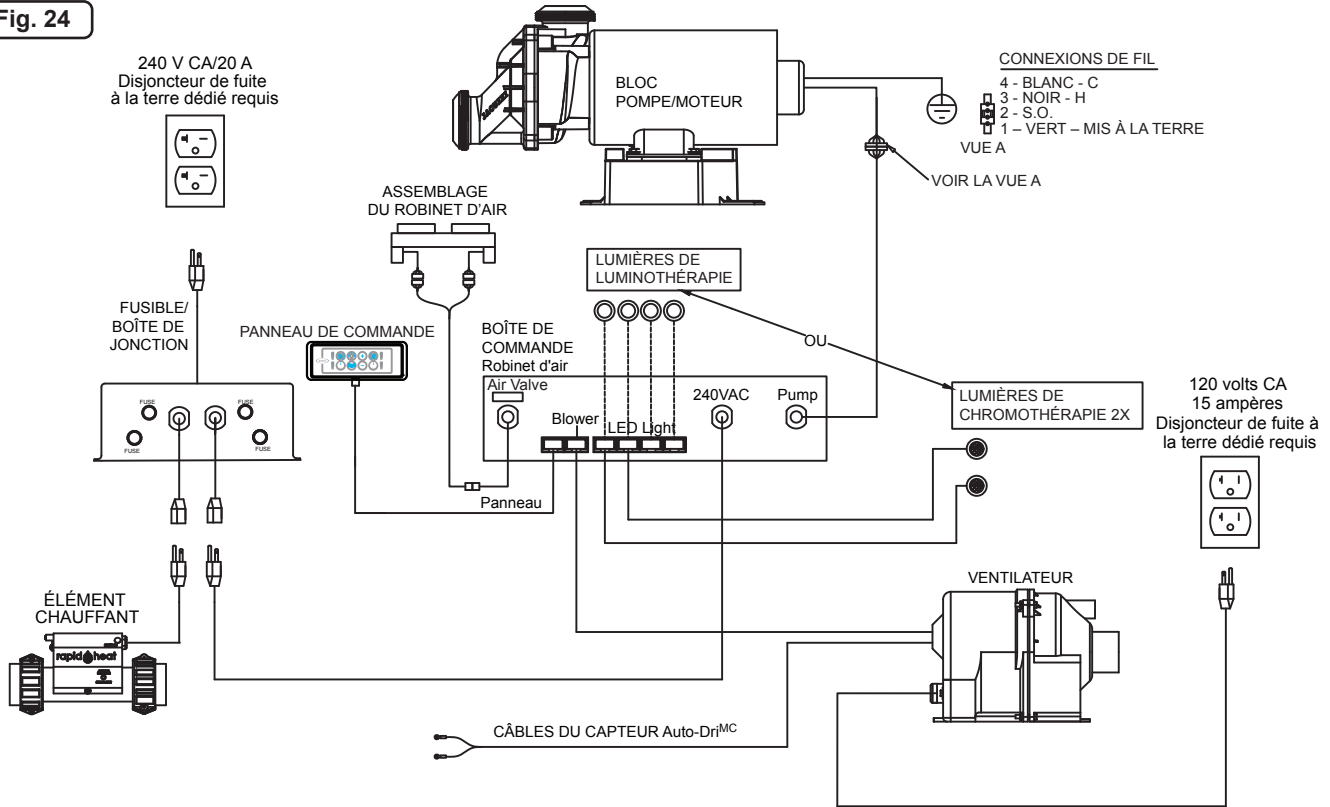
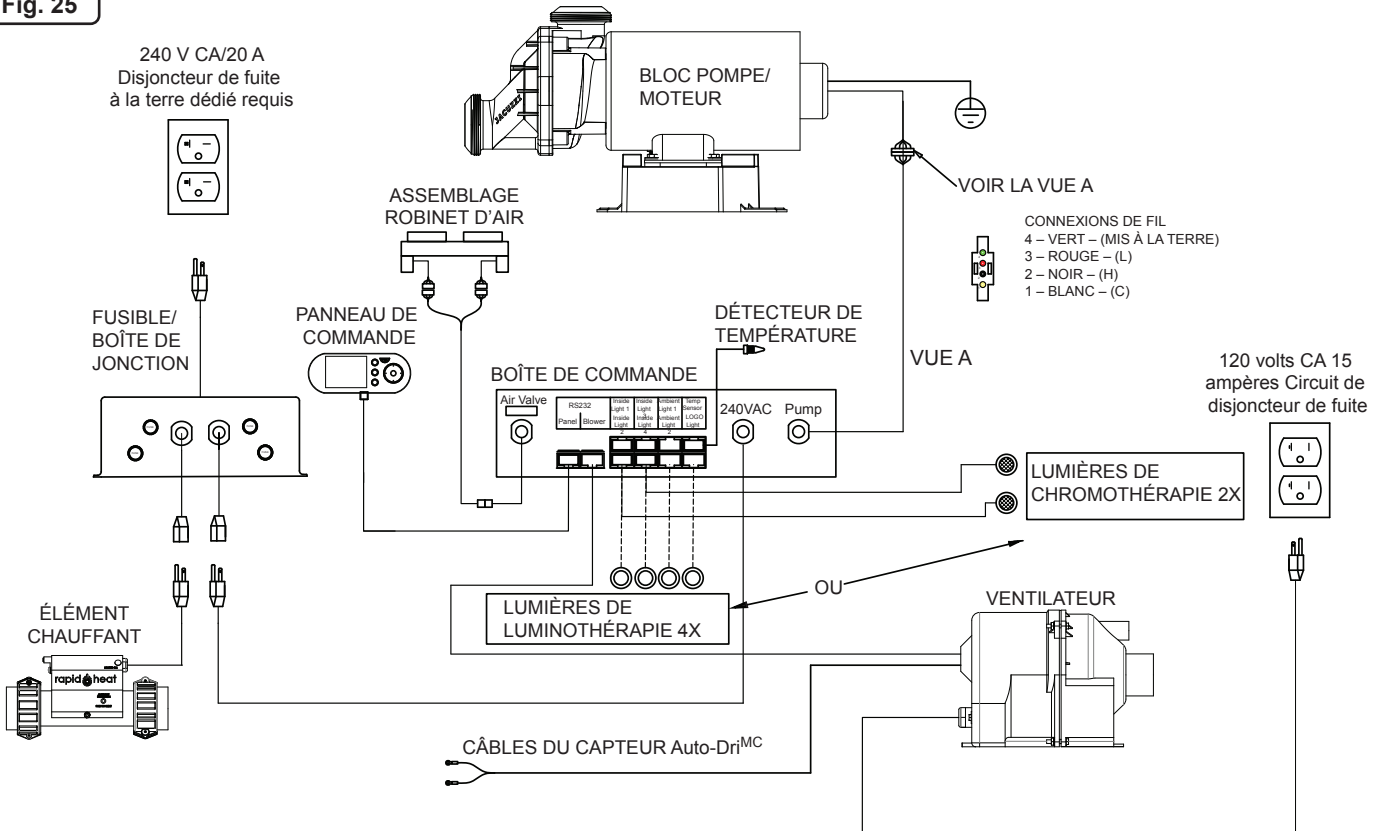


Diagramme schématique du panneau de commande J5 du spa Salon^{MD}

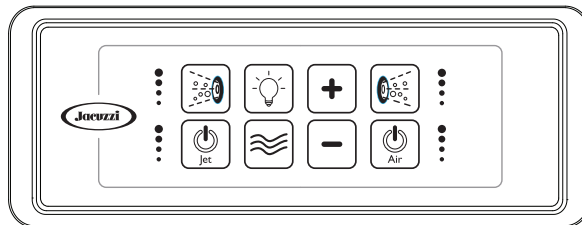
Fig. 25



Opérations du spa Salon^{MD}

Contrôles J4 du spa Salon^{MD}

Fig. 26



REMARQUE : lorsque vous basculez entre les fonctions, la DEL de la nouvelle fonction sélectionnée CLIGNOTE une fois pour indiquer la sélection.



BAIGNOIRE D'HYDROMASSAGE

- Appuyez pour allumer
- Appuyez une nouvelle fois pour éteindre
- Utilisez les boutons pour contrôler la vitesse



BOUTON D'AUGMENTATION

- Appuyez pour augmenter la fonction sélectionnée
- Appuyez et enfoncez 5 secondes pour régler/annuler la fonction Auto-Dri^{MC} quotidienne
- Appuyez pour augmenter l'intensité de l'éclairage
- Appuyez sur le bouton pour allumer l'éclairage à la dernière couleur utilisée lors de la mise hors tension



BOUTON DE RÉDUCTION

- Appuyez pour réduire la fonction sélectionnée
- Appuyez sur le bouton pour réduire l'intensité de l'éclairage jusqu'à l'éteindre



RÉGULATEUR D'AIR GAUCHE

- Appuyez pour activer le régulateur d'air gauche
- Utilisez les boutons pour contrôler le mélange d'air



RÉGULATEUR D'AIR DROIT

- Appuyez pour activer le régulateur d'air droit
- Utilisez les boutons pour contrôler le mélange d'air



FONCTION VAGUE

- Appuyez pour mettre la fonction Vague en marche
- Appuyez pour arrêter la fonction Vague
- Les touches +/- peuvent être utilisées pour ajuster l'intensité maximale.



CHROMOTHÉRAPIE

- Appuyez une fois sur le bouton pour allumer l'éclairage en blanc, niveau 2
- Appuyez à nouveau sur le bouton pour faire défiler les couleurs
- Appuyez à nouveau sur le bouton pour arrêter à la couleur actuelle
- Appuyez à nouveau sur le bouton pour redémarrer le cycle
- Séquence des couleurs : blanc, violet, bleu, turquoise, vert, jaune, orange, rouge, rose, répétition



DEL D'ÉTAT

Indique l'intensité actuelle de la fonction sélectionnée



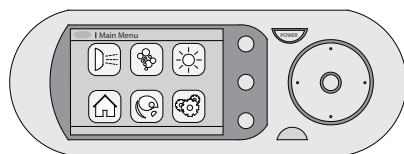
FONCTION PURE AIR^{MD}

- Appuyez pour allumer
- Appuyez une nouvelle fois pour éteindre
- Utilisez les boutons pour contrôler l'intensité

Canaux d'air Pure Air^{MD} et Auto-Dri^{MC}

Pour les instructions de fonctionnement complètes, reportez-vous à la page 5.

Contrôles J5 du spa Salon^{MD}



Panneau de commande J5

Panneau de commande ACL de luxe J5 en option : les directives d'utilisation pour ce panneau sont décrites dans le guide supplémentaire se trouvant dans votre paquet de garantie. Reportez-vous à ce document pour obtenir tous les détails sur l'utilisation (n° de pièce GU47000).

Contrôle de la direction et du débit de la baignoire de massage

Pour les instructions de fonctionnement complètes, reportez-vous à la page 12.

Procédures de dépannage

PROBLÈME	CAUSES PROBABLES	REMÈDE
Le bloc pompe/moteur ne se met pas en marche	<ul style="list-style-type: none"> Il n'y a pas d'alimentation vers le bloc pompe/moteur Le bloc pompe/moteur n'est pas branché Le bloc pompe/moteur est défectueux 	<ul style="list-style-type: none"> Réinitialisez le disjoncteur de fuite de terre Insérez la fiche fermement dans la prise Assurez-vous que le panneau de commande est relié à la boîte de commande Communiquez avec Jacuzzi Luxury Bath au 800-288-4002.
Le bloc pompe/moteur fonctionne, mais les jets entièrement réglables ne fonctionnent pas	<ul style="list-style-type: none"> Les jets sont fermés La couverture/le tamis d'aspiration peut être obstrué(e) 	<ul style="list-style-type: none"> Ouvrez les jets en les tournant dans le sens horaire Avec le moteur ÉTEINT, retirez la couverture/le tamis d'aspiration et retirez les débris. Remplacez la couverture d'aspiration avant de faire fonctionner
Le bloc pompe/moteur fonctionne, mais l'air n'est pas injecté dans l'eau	<ul style="list-style-type: none"> Les robinets d'air sont fermés 	<ul style="list-style-type: none"> Ouvrez les robinets d'air
Fuite d'eau des unions de pompe	<ul style="list-style-type: none"> Trop serrés, le joint torique peut être coincé ou mal appuyé, pas assez serré 	<ul style="list-style-type: none"> Desserrez les unions, vérifiez et appuyez le joint torique à nouveau. Si le joint torique était coincé et s'est déformé, remplacez-le (reportez-vous au numéro ci-dessous). Serrez les écrous d'union manuellement seulement
Le bloc pompe/moteur s'éteint par lui-même avant que la période ne soit écoulée.	<ul style="list-style-type: none"> La protection thermique du moteur a désactivé le bloc pompe/moteur à cause d'une surchauffe (faible tension d'alimentation) Le disjoncteur de fuite de terre est déclenché. Câblage d'alimentation inadéquat. 	<ul style="list-style-type: none"> Laissez le moteur se refroidir; la protection thermique se réinitialisera. Vérifiez la ventilation (vérifiez la tension d'alimentation) Réinitialisez le GFCI; s'il continue à se déclencher, n'utilisez pas cette unité. Débranchez l'unité et faites corriger le problème par un électricien agréé avant de l'utiliser Consultez un électricien agréé pour faire réparer le câblage
L'éclairage à chromothérapie ne fonctionne pas	<ul style="list-style-type: none"> Le connecteur s'est desserré 	<ul style="list-style-type: none"> Communiquez avec Jacuzzi Luxury Bath au 800-288-4002.
Le ventilateur ne se met pas en marche.	<ul style="list-style-type: none"> Il n'y a pas d'alimentation vers le bloc pompe/moteur Le ventilateur n'est pas relié. Le ventilateur est défectueux. 	<ul style="list-style-type: none"> Réinitialisez le disjoncteur de fuite de terre et/ou le disjoncteur Assurez-vous que la fiche soit entièrement insérée dans la prise Assurez-vous que le panneau de commande est relié à la boîte de commande Assurez-vous que la boîte de commande soit reliée au panneau de commande Communiquez avec Jacuzzi Luxury Bath au 800-288-4002.
Le ventilateur fonctionne, mais il n'y a PAS d'air qui sort des trous	<ul style="list-style-type: none"> Les soupapes de vérification sont prises en position fermée 	<ul style="list-style-type: none"> Communiquez avec Jacuzzi Luxury Bath au 800-288-4002.
Le ventilateur fonctionne, mais l'air ne sort pas de tous les trous	<ul style="list-style-type: none"> L'intensité du ventilateur n'est pas suffisante Des trous sont bloqués. 	<ul style="list-style-type: none"> Augmentez l'intensité du ventilateur. REMARQUE : le système est conçu afin que toutes les conduites d'air fonctionnent lorsque le ventilateur est réglé au 4e niveau. Retirez les débris avec un cure-dent ou une brosse à dents
Le ventilateur s'éteint inopinément	<ul style="list-style-type: none"> Le délai de 20 minutes de la minuterie est terminé. Le disjoncteur de fuite de terre est déclenché. Câblage d'alimentation inadéquat. Ventilation inadéquate Le connecteur s'est desserré 	<ul style="list-style-type: none"> Mettez le ventilateur en marche Réinitialisez le GFCI; s'il continue à se déclencher, n'utilisez pas cette unité Consultez un électricien agréé pour corriger le problème Communiquez avec Jacuzzi Luxury Bath au 800-288-4002.
Le cycle Auto-Dri ^{MC} aidé par l'évacuation s'active plusieurs fois	<ul style="list-style-type: none"> Les capteurs d'eau détectent plusieurs états mouillés et secs 	<ul style="list-style-type: none"> Si de l'eau entre en contact avec les deux capteurs pendant un cycle Auto-Dri^{MC}, le système fonctionne comme il se doit et continuera le cycle Auto-Dri^{MC} jusqu'à ce qu'il n'y ait plus d'eau. Retirez toute débarbouillette ou tout jouet qui peut couvrir les capteurs
La fonction Auto-Dri ^{MC} aidée par l'évacuation ne s'active pas 5 minutes après avoir complètement vidé la baignoire	<ul style="list-style-type: none"> Les capteurs d'eau ne sont pas reliés et ne détectent pas l'eau s'écoulant hors de la baignoire La boîte de commande est défectueuse 	<ul style="list-style-type: none"> Communiquez avec Jacuzzi Luxury Bath au 800-288-4002.
L'eau ne conserve pas sa température	<ul style="list-style-type: none"> L'interrupteur de limite supérieure de l'appareil de chauffage s'est déclenché 	<ul style="list-style-type: none"> Appuyez sur le bouton de réinitialisation de l'appareil de chauffage
La cascade ne fonctionne pas	<ul style="list-style-type: none"> La fonction de tourbillon n'est pas activée Le bouton de commande de la cascade est en position ARRÊT Débris dans la sortie de la cascade 	<ul style="list-style-type: none"> Activez les tourbillons Tournez le bouton de commande de la cascade dans le sens anti-horaire jusqu'à ce que vous obteniez le débit d'eau souhaité Utilisez un objet fin, rigide et non abrasif (par exemple, une carte de crédit) et essayez doucement vers l'avant et vers l'arrière jusqu'à ce que les débris se dégagent de l'ouverture de la cascade



Si l'unité est encore couverte par la garantie, communiquez avec le service technique de Jacuzzi Luxury Bath au 1-800-288-4002 avec le numéro de série de votre baignoire avant d'effectuer toute réparation. Le numéro de série est situé sur la plaque de spécification/numéro de série.

REMARQUES :



MANUAL DE USO

Pure Air®

Hidromasaje

Salon® Spa

Jacuzzi Luxury Bath
14525 Monte Vista Avenue
Chino, CA 91710
1-800-288-4002
www.jacuzzi.com

Índice

Información general sobre el funcionamiento.....	2
Ilustración de referencia para un Sistema Pure Air®.....	3
Funcionamiento de Pure Air®.....	4
Canales de aire del Pure Air® Auto-Dri™.....	5
Ilustraciones de referencia para el sistema de hidromasaje.....	6-7
Funcionamiento del hidromasaje.....	8-10
Ilustraciones de referencia para el sistema de climatización constante.....	10-11
RapidHeat™.....	12
Limpieza.....	13
Mantenimiento.....	13-14
Ilustraciones de referencia para el sistema Salon® Spa.....	15
Funcionamiento de Salon® Spa.....	16
Procedimientos para la resolución de problemas.....	17

**For Spanish and French installation instructions, please visit www.jacuzzi.com/baths/support/owners-manuals/.*

**Para instrucciones de instalación en español, por favor visite www.jacuzzi.com/baths/support/owners-manuals/.*

**Pour directives d'installation en français canadien, veuillez visiter www.jacuzzi.com/baths/support/owners-manuals/.*

Información general sobre el funcionamiento

Todas las bañeras fabricadas por Jacuzzi Luxury Bath están diseñadas para “llenar y drenar”, lo que significa que se debe vaciar la bañera después de cada uso y llenarla con agua limpia para el próximo baño. Esto es una precaución para la salud, ya que estas bañeras no están diseñadas para contener agua de manera continua como las piscinas o hidromasajes.

Cierre el drenaje y llene la bañera hasta que el agua esté al menos a 1 o 2 pulgadas (25 a 51 mm) por encima del chorro o entrada de aire más alto (consulte el nivel de agua que se indica en la ilustración, Figura 1). No active el sistema de hidromasaje o PureAir® en ningún momento si los chorros o entradas de aire no están completamente sumergidos en el agua. El funcionamiento del sistema de hidromasaje o PureAir® sin una cantidad suficiente de agua en la bañera podría provocar la aspersión de agua fuera de la bañera.



ATENCIÓN: Cuando salga de la bañera, el nivel de agua descenderá por debajo de los chorros, lo cual podría provocar la aspersión de agua fuera de la unidad. Para evitarlo, debe desconectar la unidad antes de salir de la bañera.

Fig. 1

Llene a un nivel de al menos 1 o 2 pulgadas por encima de la boquilla más alta

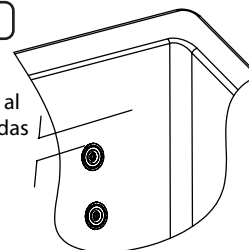


Ilustración de referencia para un Sistema Pure Air®

! Estas ilustraciones son sólo de referencia, dado que la unidad viene completamente armada.

⚡ PELIGRO: RIESGO DE DESCARGA ELÉCTRICA. Antes de reparar estas conexiones, desconecte todos los cables de suministro de energía de ambos servicios de 120 VCA.

Diagrama esquemático del panel de control J2 de Pure Air®

Fig. 2

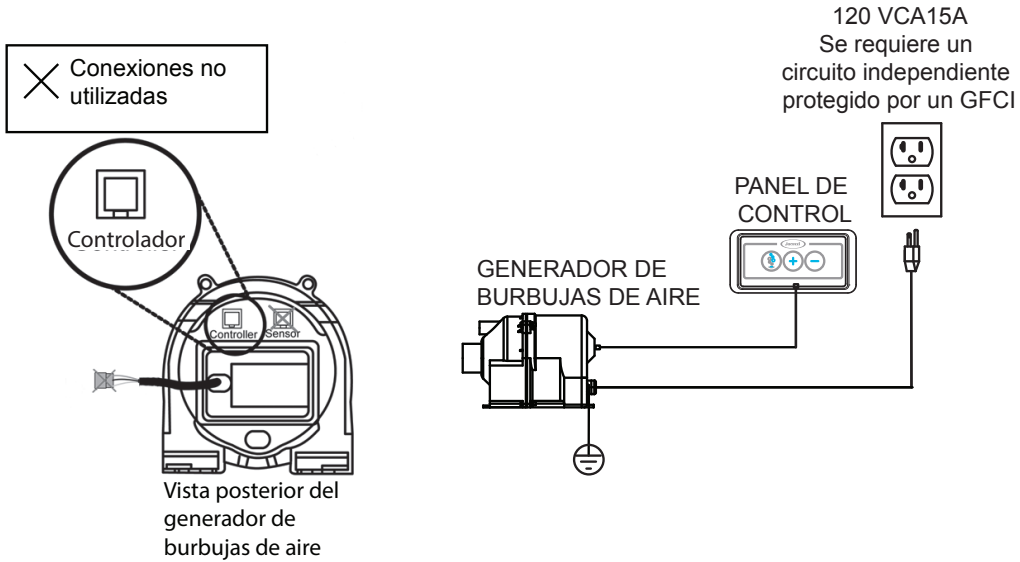
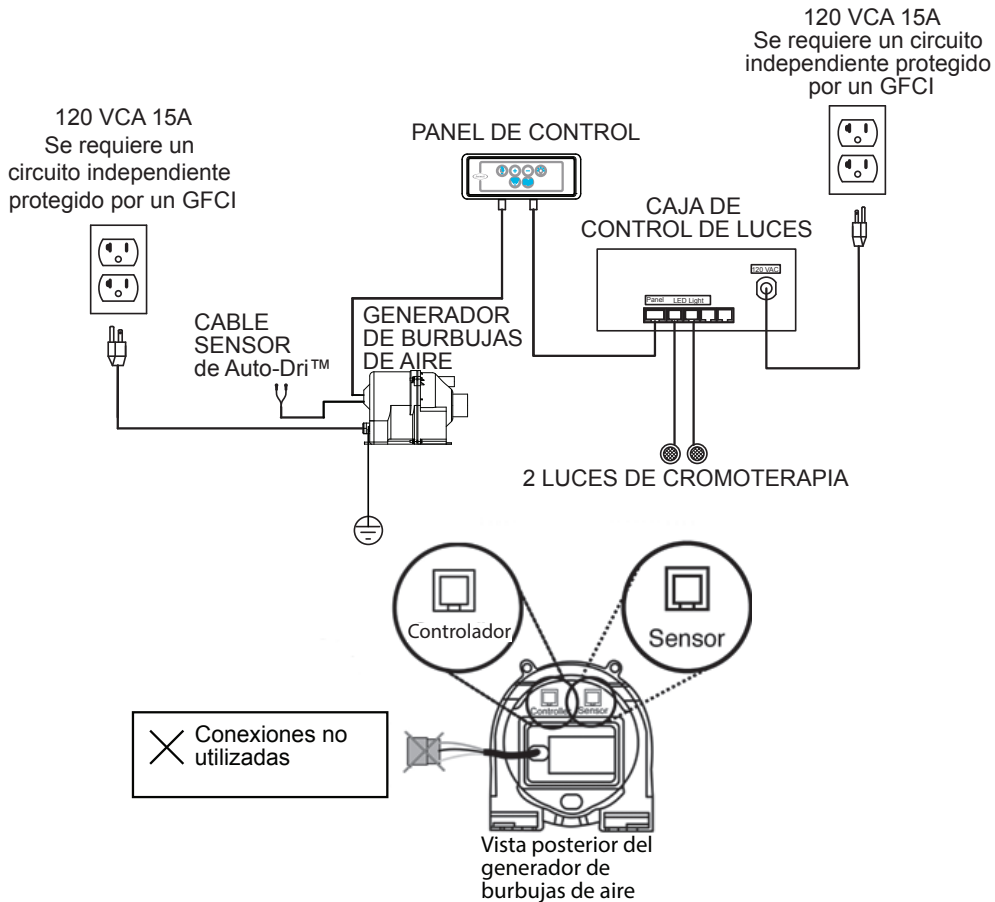


Diagrama esquemático del panel de control J4 de Pure Air®

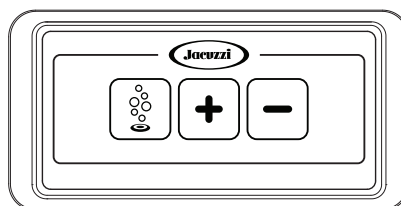
Fig. 3



Funcionamiento de Pure Air®

Controles J2 de Pure Air®

Fig. 4



FUNCIONAMIENTO DEL GENERADOR DE BURBUJAS DE AIRE

- Presione una vez para ENCENDER.
- Presione de nuevo para.

NOTA: El sistema recuerda el último ajuste del generador de burbujas de aire que se utilizó y lo reanuda automáticamente la próxima vez que se lo use.

AUMENTAR ALTERNACIÓN

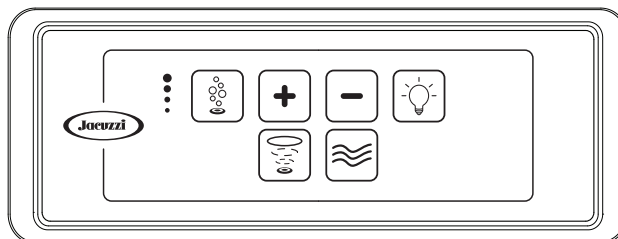
- Presione para aumentar la intensidad del generador de burbujas de aire.
- Mantenga presionado durante 5 segundos para configurar/cancelar el Auto-Dri™ diario.
- También puede mantener presionado el botón para aumentar el nivel de intensidad.

DISMINUIR ALTERNACIÓN

- Presione para disminuir la intensidad del generador de burbujas de aire.
- También puede mantener presionado el botón para disminuir el nivel de intensidad.

Controles J4 de Pure Air®

Fig. 5



NOTA: Al cambiar de funciones, el LED de la función escogida TITILARÁ una vez para indicar que se ha seleccionado.



FUNCIONAMIENTO DEL GENERADOR DE BURBUJAS DE AIRE

- Presione para ENCENDER.
- Presione de nuevo para APAGAR.
- Utilice los alternadores para controlar la velocidad.



AUMENTAR ALTERNACIÓN

- Presione para aumentar la función seleccionada.
- Mantenga presionado durante 5 segundos para configurar/cancelar el Auto-Dri™ diario.
- Presione para aumentar la intensidad de la luz.
- Presione para ENCENDER las luces en el último color utilizado antes de APAGAR.



DISMINUIR ALTERNACIÓN

- Presione para disminuir la función seleccionada.
- Presione para disminuir la intensidad de las luces hasta APAGAR.



CROMOTERAPIA

- Presione una vez para ENCENDER las luces en blanco nivel 2.
- Presione una vez más para rotar los colores.
- Presione una vez más para detenerse en el color actual.
- Presione una vez más para volver a rotar.
- Secuencia de colores: blanco, morado, azul, turquesa, verde, amarillo, anaranjado, rojo, rosado, repite.



FUNCIÓN DE PULSACIONES

- Presione para ENCENDER las pulsaciones.
- Presione para APAGAR las pulsaciones.
- Se pueden utilizar los botones +/- para ajustar la intensidad máxima del aire.



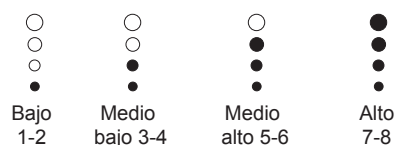
FUNCIÓN DE OLAS

- Presione para ENCENDER las olas.
- Presione para APAGAR las olas.
- Se pueden utilizar los botones +/- para ajustar la intensidad máxima del aire.



LED DE ESTADO

- Informa la intensidad actual de la función seleccionada.




Canales de aire de Pure Air® Auto-Dri™


Canales de aire J2 de Auto-Dri™

El generador de burbujas de aire funcionará durante 20 minutos y luego se apagará automáticamente, salvo que se apague manualmente. Cualquiera sea el caso, el generador de burbujas de aire se ENCENDERÁ luego de 20 minutos de haberse apagado y comenzará un ciclo de secado de un minuto para expulsar el agua que haya quedado en el sistema de aire.

Si la bañera se utiliza sin utilizar el generador de burbujas de aire (ducha o baño sin utilizar el sistema PureAir®), inicie el ciclo de secado de un minuto manualmente utilizando el interruptor de ENCENDIDO/APAGADO. ENCIENDA y APAGUE el interruptor nuevamente al salir de la bañera y el ciclo de secado comenzará en 20 minutos.

Ciclo diario J2 de Auto-Dri™

Para activar: Si mantiene presionado el botón  durante cinco segundos con el generador de burbujas de aire apagado, se activará el ciclo diario Auto-Dri™. El generador de burbujas de aire se encenderá todos los días a la misma hora durante un minuto. Una vez activado el ciclo diario Auto-Dri™, el generador de burbujas de aire se encenderá un segundo, se apagará dos segundos, se encenderá un segundo y luego se apagará.

Para desactivar: Si mantiene presionado el botón  durante cinco segundos con el generador de burbujas de aire apagado, se desactivará el ciclo diario Auto-Dri™. Una vez desactivado el ciclo diario Auto-Dri™, el generador de burbujas de aire se encenderá durante un segundo y luego se apagará.


Canales de aire J4 de Auto-Dri™

El ciclo Auto-Dri™ es automático y reducirá la acumulación excesiva de agua residual en los canales de aire.

Hay dos ciclos de Auto-Dri™: el ciclo de drenaje asistido Auto-Dri™ y el ciclo diario Auto-Dri™.

Asistencia de drenaje J4

El ciclo Auto-Dri™ funciona con ayuda de dos sensores (diales de metal) ubicados cerca del drenaje de la bañera. Los sensores detectan la presencia y la ausencia de agua en la bañera.

 Para asegurar el funcionamiento eficaz y correcto de los sensores de agua, es importante mantenerlos limpios y libres de obstrucciones u objetos.

Después del baño y del vaciado completo de la bañera, los sensores detectan el estado "sin agua". Luego de transcurrido un tiempo de espera de cinco minutos, se activa el generador de burbujas de aire. El generador de burbujas de aire pasará por diferentes velocidades durante 2½ minutos, lapso en el que 2 o 3 luces indicadoras destellarán a distintas velocidades.

- El ciclo Auto-Dri™ se activará aún si no se utilizó el generador de burbujas de aire durante el baño.
- Es posible que el ciclo se inicie más de una vez si los sensores se mojan en cualquier momento del funcionamiento de Auto-Dri™ o durante la limpieza habitual de la bañera. Esto es normal y no requiere atención.

Ciclo diario Auto-Dri™ J4

Todos los días, el generador de burbujas de aire activará el ciclo diario Auto-Dri™ automáticamente. El generador de burbujas de aire funcionará durante un minuto en potencia alta y, luego, durante 15 segundos a media potencia.

Para programar la hora del ciclo de Auto-Dri™: Espere la hora en la que desea que se active el ciclo de Auto-Dri™. Mientras el generador de burbujas de aire está apagado, mantenga oprimido el botón (+) durante cinco segundos. Para confirmar que ha programado la hora, el generador de burbujas de aire se encenderá y apagará dos veces en un lapso de 4 segundos.

Para cancelar el ciclo diario de Auto-Dri™: Mientras el generador de burbujas de aire está apagado, mantenga oprimido el botón (+) durante cinco segundos. Para confirmar que ha cancelado el ciclo de Auto-Dri™, el generador de burbujas de aire arrancará durante 1 segundo y luego se detendrá.

 Debe programar el ciclo diario de Auto-Dri™ al momento de la instalación ya que no viene preconfigurado de fábrica.

 Si se produce una falla en el suministro de energía, el sistema quedará predeterminado sin el ciclo diario Auto-Dri™.

Ilustraciones de referencia para el sistema de hidromasaje

Diagrama esquemático de botones del hidromasaje

Fig. 6

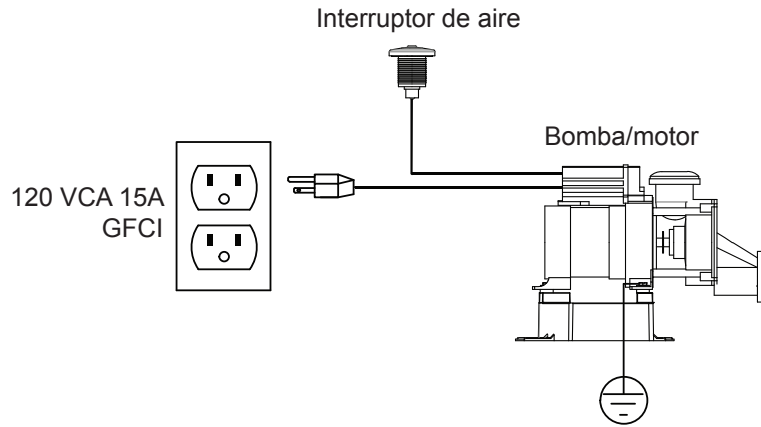
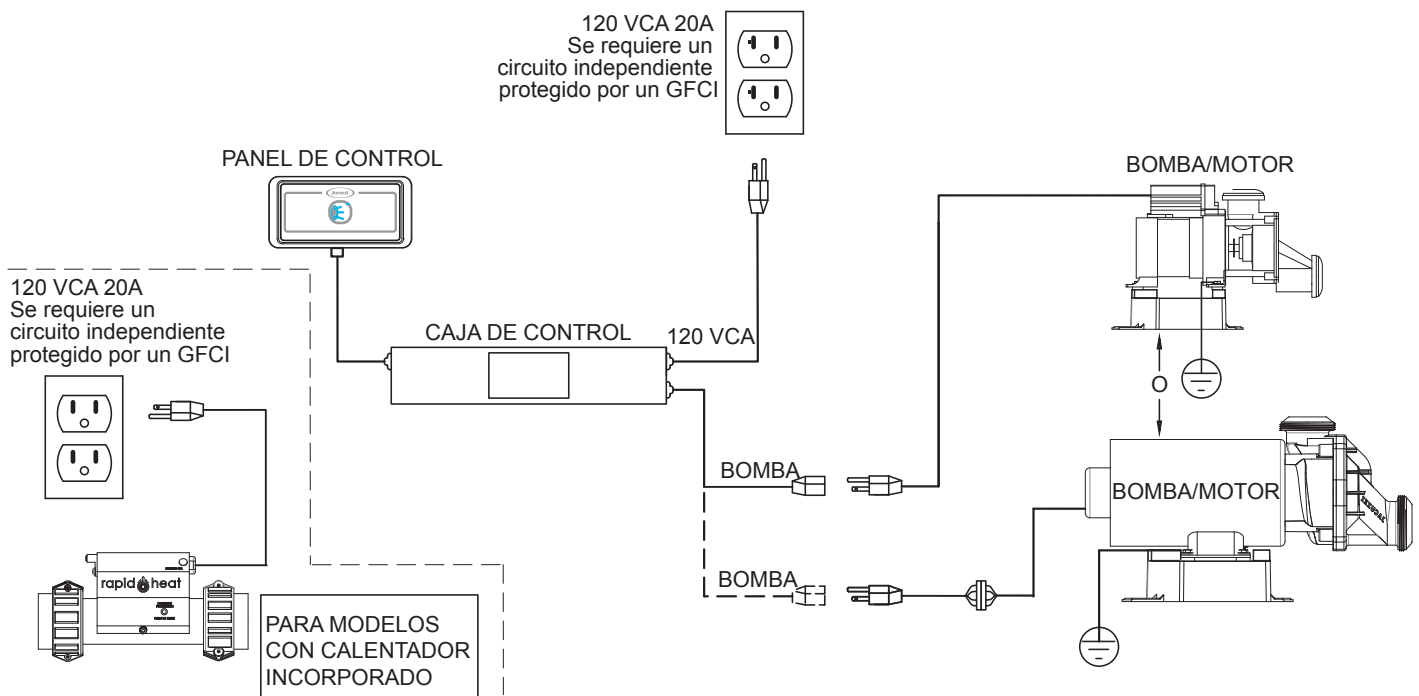


Diagrama esquemático del panel de control J2 del hidromasaje

Fig. 7



Ilustraciones de referencia para el sistema de hidromasaje (continuación)

Diagrama esquemático del panel de control J2 con cromoterapia del hidromasaje

Fig. 8

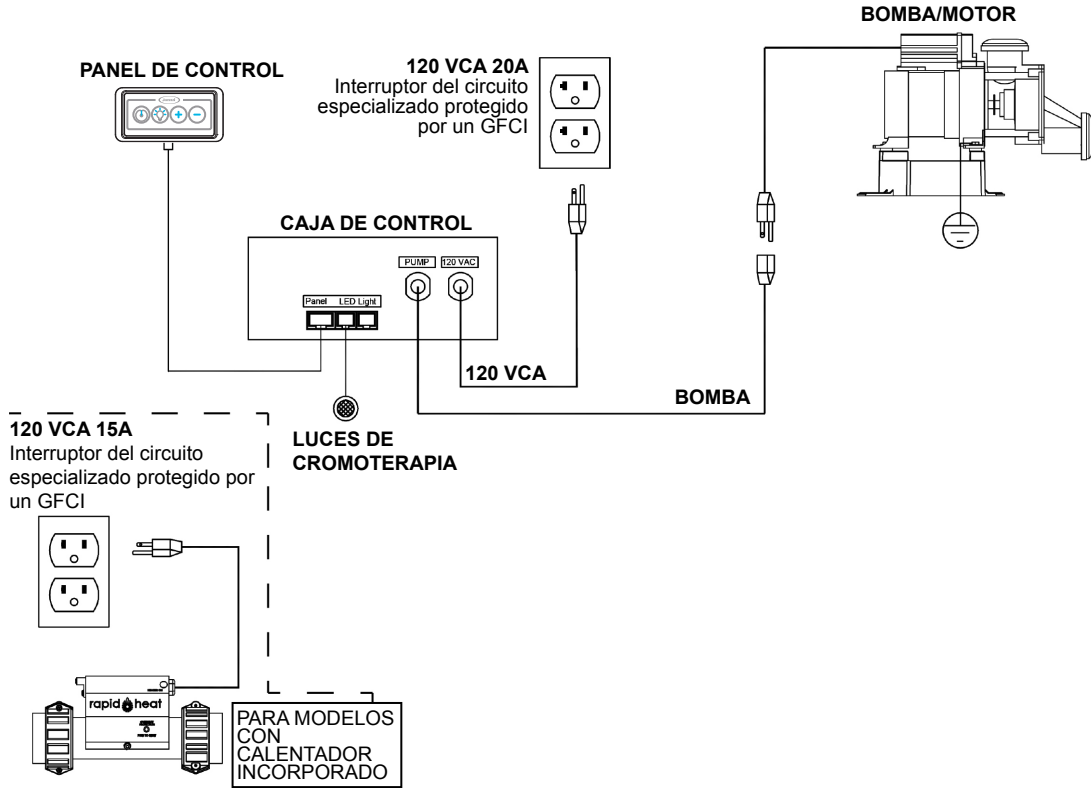
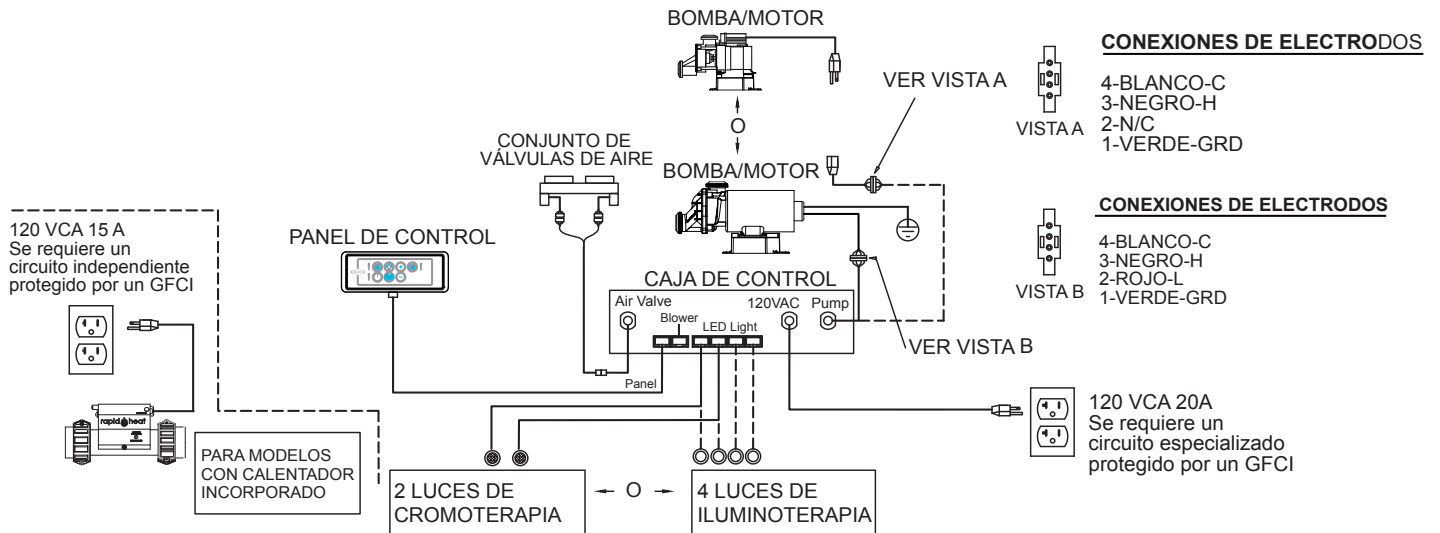


Diagrama esquemático del panel de control J4 del hidromasaje

Fig. 9



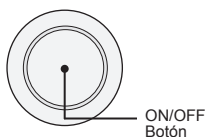
Funcionamiento del hidromasaje

Botón ON / OFF

Fig. 10A

Pulse el botón para ENCENDER el sistema Whirlpool.

Pulse el botón para APAGAR el sistema Whirlpool

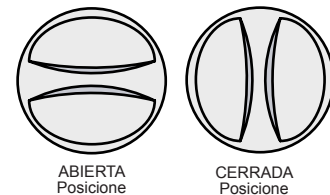


Whirlpool de control

Fig. 10B

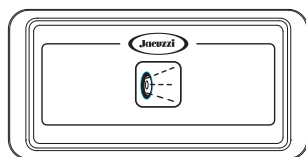
En posición de cerrado, los chorros masajean solamente con agua.

En posición abierta, el aire se mezcla con el agua para generar una corriente profunda y amplia de masaje burbujeante.



Controles J2 de hidromasaje

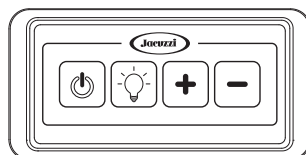
Fig. 11



- Presione una vez para ENCENDER.
- Presione de nuevo para APAGAR.

Controles de hidromasaje J2 con controles de cromoterapia

Fig. 12



- Presione una vez para ENCENDER.
- Presione de nuevo para APAGAR.



CROMOTERAPIA

- Presione una vez para ENCENDER las luces en blanco nivel 2.
- Presione una vez más para rotar los colores.
- Presione una vez más para detenerse en el color actual.
- Presione una vez más para volver a rotar.
- Secuencia de colores: blanco, morado, azul, turquesa, verde, amarillo, anaranjado, rojo, rosado, repite.



AUMENTAR ALTERNACIÓN

- Presione para aumentar la intensidad de las luces.
- Presione para ENCENDER las luces en el último color utilizado antes de APAGAR.

NOTA: El color predeterminado de la luz es blanco nivel 2.



DISMINUIR ALTERNACIÓN

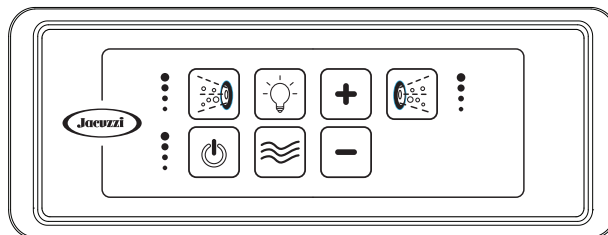
- Presione para disminuir la intensidad de las luces hasta APAGARSE.

NOTA: El color predeterminado de la luz es blanco nivel 2.

Funcionamiento del hidromasaje (continuación)

Controles J4 del hidromasaje

Fig. 13



NOTA: Al cambiar de funciones, el LED de la función escogida TITILARÁ una vez para indicar que se ha seleccionado



HIDROMASAJE

- Presione para ENCENDER.
- Presione de nuevo para APAGAR.
- Utilice los alternadores para controlar la velocidad.
- Velocidad de hidromasaje disponible solo en los modelos con motores de dos velocidades.



AUMENTAR ALTERNACIÓN

- Presione para aumentar la función seleccionada.
- Presione para aumentar la intensidad de la luz.
- Presione para ENCENDER las luces en el último color utilizado antes de APAGAR.



DISMINUIR ALTERNACIÓN

- Presione para disminuir la función seleccionada.
- Presione para disminuir la intensidad de las luces hasta APAGAR.



CONTROL DE LA VÁLVULA DE AIRE IZQUIERDA

- Presione para activar la válvula de aire izquierda.
- Utilice los alternadores para controlar la mezcla de aire.



CONTROL DE LA VÁLVULA DE AIRE DERECHA

- Presione para activar la válvula de aire derecha.
- Utilice los alternadores para controlar la mezcla de aire.



FUNCION DE OLAS

- Presione para ENCENDER las olas.
- Presione para APAGAR las olas.
- Se pueden utilizar los botones +/- para ajustar la intensidad máxima del aire.



CROMOTERAPIA

- Presione una vez para ENCENDER las luces en blanco nivel 2.
- Presione una vez más para rotar los colores.
- Presione una vez más para detenerse en el color actual.
- Presione una vez más para volver a rotar.
- Secuencia de colores: blanco, morado, azul, turquesa, verde, amarillo, anaranjado, rojo, rosado, repite.



LED DE ESTADO

- Informa la intensidad actual de la función seleccionada.

Ilustraciones de referencia para el sistema de climatización constante

Diagrama esquemático del panel de control J2 del sistema de climatización constante

Fig. 14

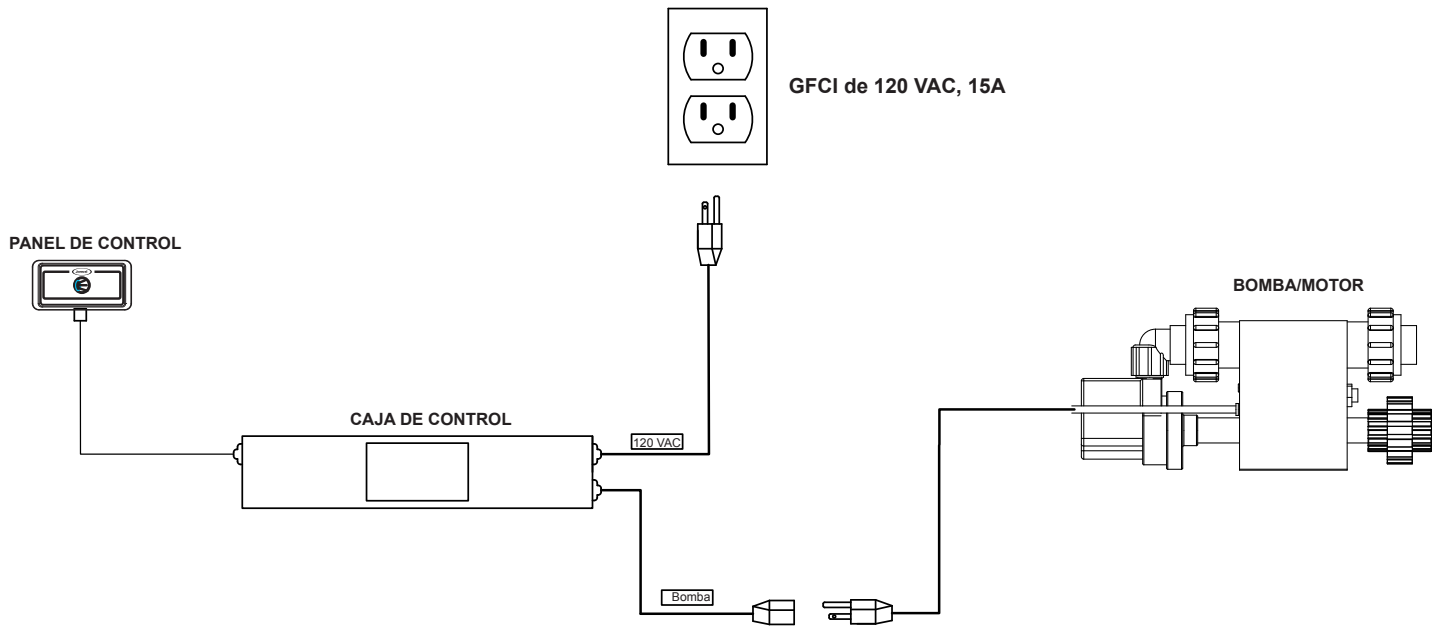
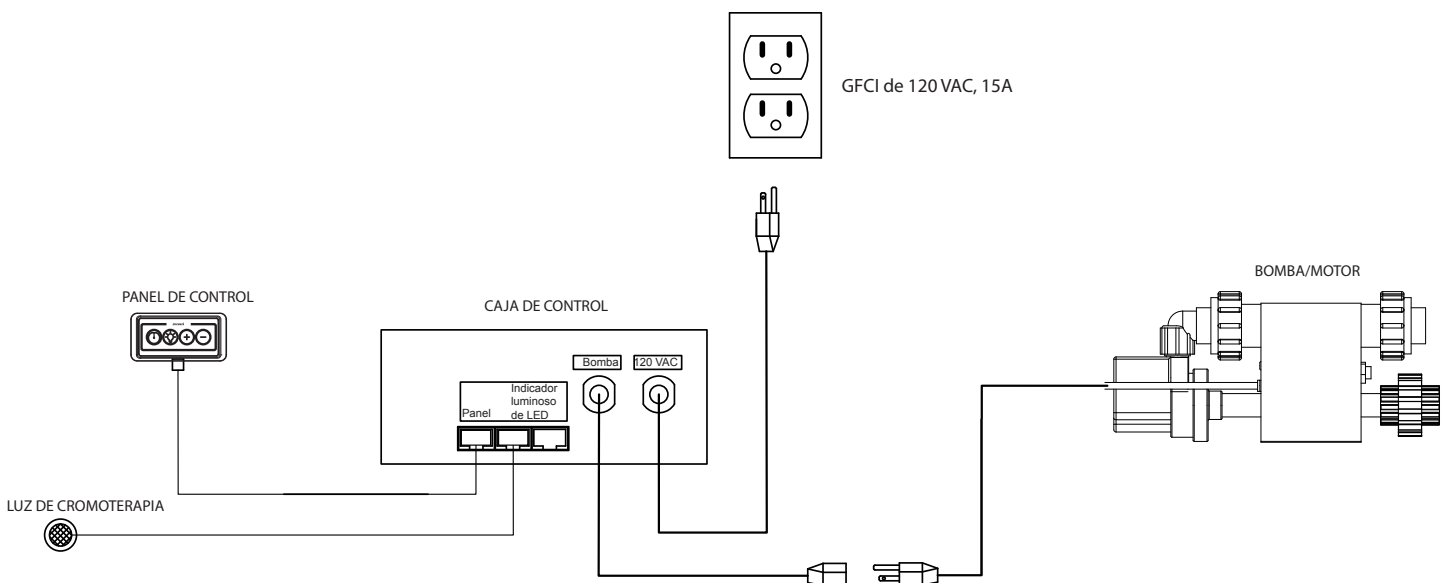


Diagrama esquemático del panel de control J2 del sistema de climatización constante con cromoterapiav

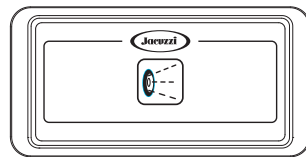
Fig. 15



Ilustraciones de referencia para el sistema de climatización constante (continuación)

Controles de climatización constante J2

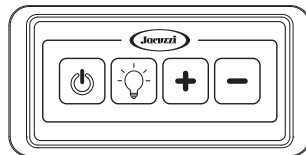
Fig. 16



- Presione una vez para ENCENDER.
- Presione de nuevo para APAGAR.

Controles de climatización constante J2 con controles de cromoterapia

Fig. 17



- Presione una vez para ENCENDER.
- Presione de nuevo para APAGAR.



CROMOTERAPIA

- Presione una vez para ENCENDER las luces en blanco nivel 2.
- Presione una vez más para rotar los colores.
- Presione una vez más para detenerse en el color actual.
- Presione una vez más para volver a rotar.
- Secuencia de colores: Blanco, morado, azul, turquesa, verde, amarillo, anaranjado, rojo, rosado, repite



AUMENTAR ALTERNACIÓN

- Presione para aumentar la intensidad de las luces.
- Presione para ENCENDER las luces en el último color utilizado antes de APAGAR.

NOTA: El color predeterminado de la luz es blanco nivel 2.



DISMINUIR ALTERNACIÓN

- Presione para disminuir la intensidad de las luces hasta APAGARSE. El color predeterminado de la luz es blanco nivel 2.

NOTA: El color predeterminado de la luz es blanco nivel 2.

Funcionamiento del hidromasaje (continuación)

Control de la dirección y el flujo del hidromasaje

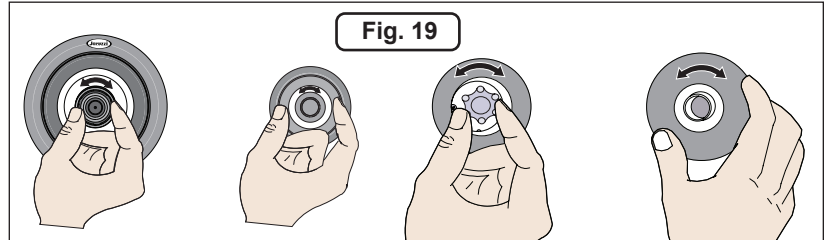
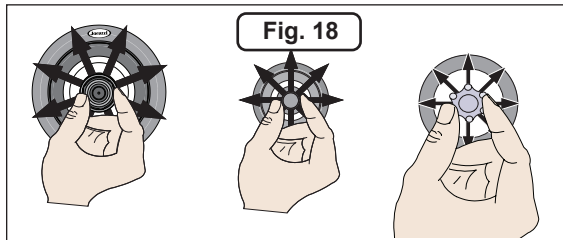
⚠ PRECAUCIÓN: No ponga en funcionamiento el sistema hidromasaje con todos los chorros cerrados.

Para ajustar la dirección de los chorros:

- Para cambiar la dirección del flujo de agua, gire la boquilla del chorro hasta el ángulo deseado (Figura 18).

Para ajustar el flujo de agua a los chorros:

- Aumente la fuerza del flujo girando la boquilla o el frente del chorro hacia la izquierda (en sentido antihorario). Disminuya la fuerza del flujo girando la boquilla o el frente hacia la derecha (en sentido de las agujas del reloj). Ver Figura 19.

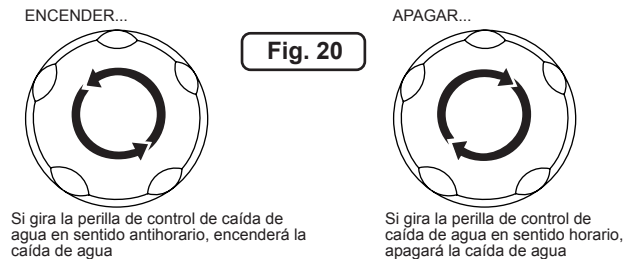


Control de caída de agua (solo para los modelos correspondientes)

⚠ Solo se puede activar la caída de agua cuando la bomba del hidromasaje está en funcionamiento.

Cuanto más gire la perilla en sentido antihorario, más crecerá el flujo de agua. Consultar la Figura 20.

Para eliminar la acumulación de residuos de la bañera del sistema, se recomienda limpiar la bañera del hidromasaje por lo menos dos veces al mes. Sin embargo, para obtener mejores resultados, le recomendamos que limpie su bañera después de cada uso con Systems Clean™, nuestro exclusivo limpiador de dos componentes para sistemas de fontanería fabricado específicamente para bañeras. Systems Clean™ se puede conseguir por medio de un distribuidor autorizado de Jacuzzi Luxury Bath, llamándonos directamente al 1-800-288-4002 o por Internet en www.jacuzzi.com.



RapidHeat™

RapidHeat™ (estándar en los modelos Salon® Spa)

El calentador se ENCIENDE automáticamente cada vez que se activa el funcionamiento hidromasaje. El funcionamiento del calentador no se muestra en el panel de control. Hay una luz indicadora visible en el mismo calentador que señala que está funcionando (Figura 21). El calentador ayudará a mantener la temperatura del agua en la bañera. No está hecho para calentar el agua a determinada temperatura.

⚠ NOTA IMPORTANTE:

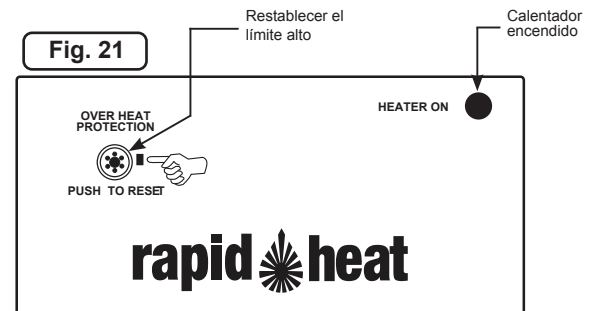
El calentador solo funcionará cuando el agua esté a una temperatura de 25 °C (77 °F) o más. Debería llenar siempre la bañera con agua tibia.

Interruptor de vacío

El calentador está equipado con un interruptor de vacío preconfigurado que impedirá que se ENCIENDA si la bomba no está funcionando y el agua no está circulando en el sistema de hidromasaje.

Interruptor de límite alto

El calentador incluye un interruptor de límite alto exclusivo (Figura 21). Este circuito de seguridad no será accionado en falso por el agua caliente del grifo. Su única función es APAGAR el calentador si falla el termostato. Para restablecerlo, oprima el botón. Si el interruptor de límite alto se acciona con frecuencia, póngase en contacto con nosotros visitando www.jacuzzi.com o llamando al 1-800-288-4002.



Limpieza

Systems Clean™

Para eliminar la acumulación de los residuos de la bañera del sistema de hidromasaje, se recomienda limpiar la bañera de hidromasajes por lo menos dos veces al mes. Para obtener mejores resultados, le recomendamos que limpie su bañera de hidromasajes luego de cada uso con Systems Clean™, nuestro exclusivo limpiador de dos componentes para sistemas de fontanería fabricado específicamente para bañeras de hidromasajes. Systems Clean™ se puede conseguir por medio de un distribuidor autorizado de Jacuzzi Luxury Bath llamándonos directamente al 1-800-288-4002, o se puede comprar en línea en www.jacuzzi.com/baths.

Aditivos para baño

⚠ PRECAUCIÓN: No utilice aceite o aditivos para baño a base de aceites. No utilice limpiadores abrasivos o cáusticos de uso doméstico en ningún producto Jacuzzi Luxury Bath.

Si quiere usar alguna clase de aditivo para baño, utilice sólo una pequeña cantidad de polvo de baja espuma o sustancias cristalizadas; la acción de remolino intensifica las propiedades espumantes de los jabones.

El uso de algunos aceites para baño, baños de espumas y aditivos para baño puede aumentar el nivel de acumulación de residuos en el sistema de hidromasaje y puede provocar una falsa lectura de los sensores de nivel de agua. Si el exceso de acumulaciones persiste, deberá suspender el uso de estos productos.

Para eliminar la acumulación de residuos de la bañera del sistema de hidromasaje, se recomienda limpiar la bañera regularmente. Para obtener mejores resultados, le recomendamos que limpie su bañera de hidromasajes luego de cada uso con Systems Clean™, nuestro exclusivo limpiador de dos componentes para sistemas de fontanería fabricado específicamente para bañeras de hidromasajes. Systems Clean™ se puede conseguir por medio de un distribuidor autorizado de Jacuzzi Luxury Bath, llamándonos directamente al 1-800-288-4002 o por Internet en www.jacuzzi.com.

Para limpiar la bañera, simplemente use un detergente líquido suave no abrasivo. Puede proteger y restaurar el brillo de una superficie acrílica aplicando Mirror Glaze n.º 10 de Meguiar, un producto diseñado específicamente para uso en acabados acrílicos. Si no se puede conseguir este producto de Meguiar, utilice un compuesto de buena calidad para el lustrado de automóviles seguido de una aplicación de cera en pasta transparente para automóviles.

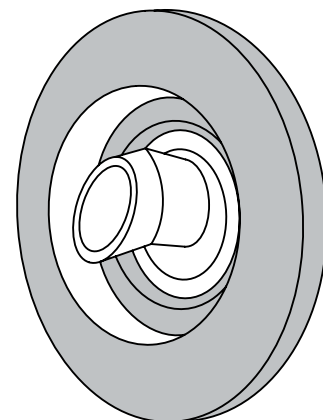
Los rayones menores que no penetran en el acabado de color se pueden eliminar lijando suavemente con un papel de lija húmedo o seco de grano 600. Restablezca el brillo con Mirror Glaze de Meguiar o con cera en pasta para automóviles. Será necesario volver a aplicar el acabado si los rayones y estrías penetran en la superficie acrílica. Llame a Jacuzzi Luxury Bath para localizar a un agente de servicio cercano a su domicilio.

Mantenimiento

Mantenimiento de los chorros giratorios

Si cabellos u otros tipos de residuos quedan atrapados en los cojinetes de estos chorros, los chorros podrían dejar de girar (Figura 22). Es posible que resulte necesario desarmar y eliminar los residuos. Para ello, simplemente tome la boquilla y retírela del alojamiento del chorro. La carcasa del cojinete estará unida a la boquilla. Estos dos elementos se pueden separar sosteniendo la carcasa y empujando la boquilla para retirarla desde la parte posterior de la carcasa. Una vez terminada la limpieza, vuelva a armar e instalar los componentes.

Fig. 22



Mantenimiento (continuación)

Mantenimiento de la tapa protectora de succión y del filtro del hidromasaje

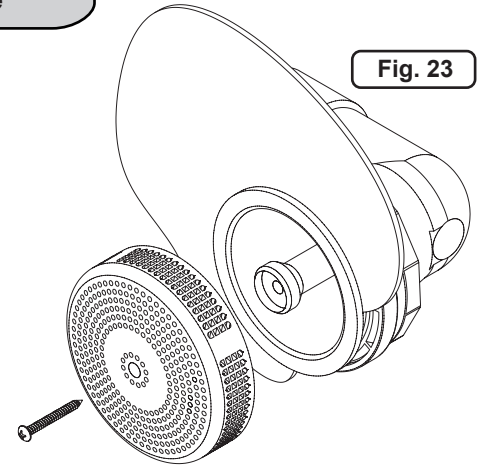
Limpie la tapa protectora de succión y el filtro retirando el cabello y los residuos cuando sea necesario (Figura 23).

1. Quite el tornillo central y retire la tapa protectora de succión.
2. Limpie la tapa protectora empujando los desechos de los orificios con una corriente de agua inversa.
3. Luego de la limpieza, vuelva a colocar inmediatamente la tapa protectora de succión.

⚠ ¡ADVERTENCIA! Cuando la vuelva a instalar, oriente la tapa/el filtro con la pequeña muesca hacia abajo. La junta debe insertarse en la ranura de la tapa/del filtro antes de volver a instalarla en el accesorio de succión.

⚠ PELIGRO: RIESGO DE LESIONES GRAVES O AHOGAMIENTO. Mantenga alejado el cabello a un mínimo de 6 pulgadas (152 mm) del accesorio de succión siempre que el sistema hidromasaje esté funcionando. El cabello que caiga por debajo de los hombros debe llevarse recogido o cubierto con una gorra de baño.

⚠ PELIGRO: RIESGO DE LESIONES GRAVES O AHOGAMIENTO. No opere el sistema de hidromasaje sin la placa protectora de succión/el filtro colocada. Es un dispositivo de seguridad y siempre debe estar colocado en el accesorio de succión para minimizar el riesgo de que el cabello o alguna parte del cuerpo queden atrapadas.



Ilustraciones de referencia para el sistema Salon® Spa

Diagrama esquemático del panel de control J4 de Salon® Spa

Fig. 24

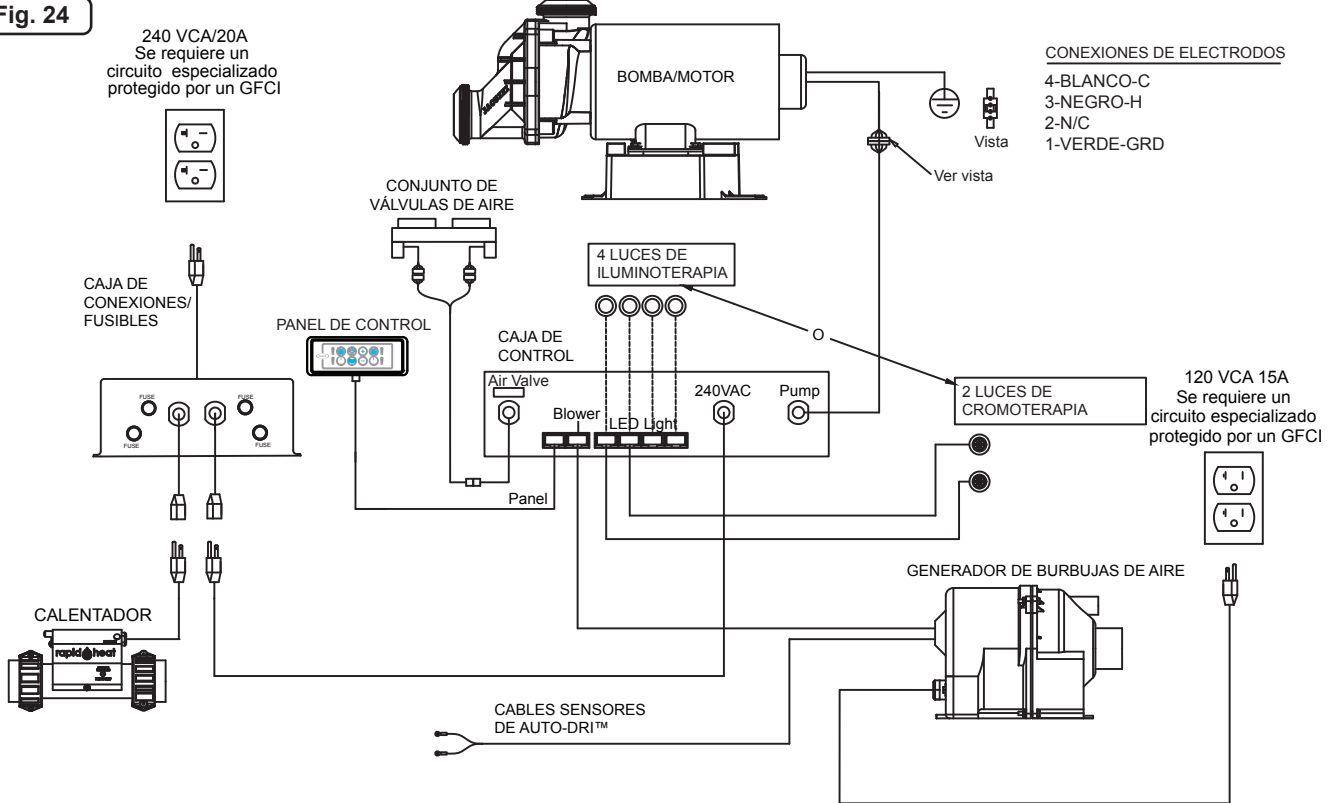
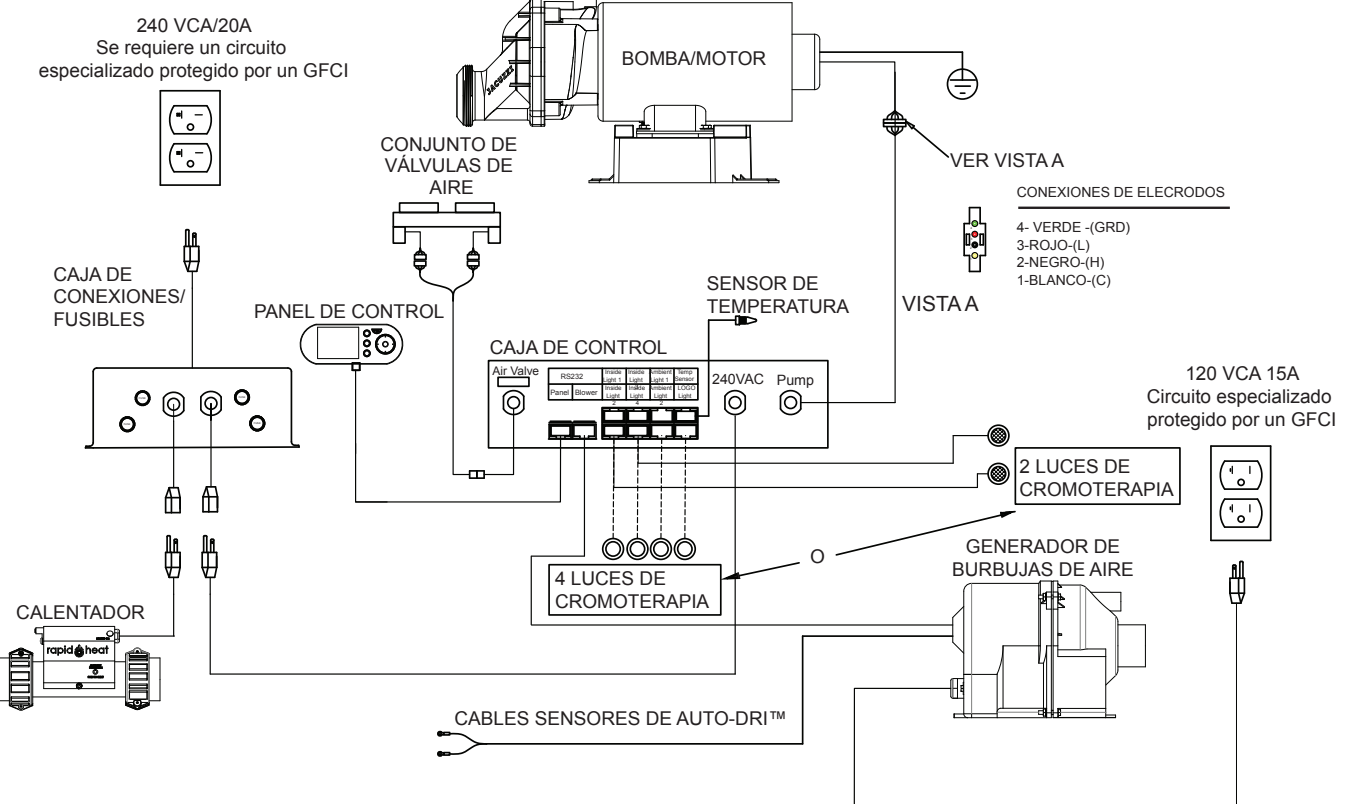


Diagrama esquemático del panel de control J5 de Salon® Spa

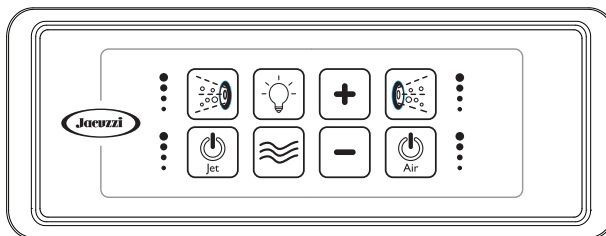
Fig. 25



Funcionamiento de Salon® Spa

Controles J4 de Salon® Spa

Fig. 26



NOTA: Al cambiar de funciones, el LED de la función escogida TITILARÁ una vez para indicar que se ha seleccionado.



HIDROMASAJE

- Presione para ENCENDER.
- Presione de nuevo para APAGAR.
- Utilice los alternadores para controlar la velocidad.



AUMENTAR ALTERNACIÓN

- Presione para aumentar la función seleccionada.
- Mantenga presionado durante 5 segundos para configurar/ cancelar el Auto-Dri™ diario.
- Presione para aumentar la intensidad de la luz.
- Presione para ENCENDER las luces en el último color utilizado antes de APAGAR.



DISMINUIR ALTERNACIÓN

- Presione para disminuir la función seleccionada.
- Presione para disminuir la intensidad de las luces hasta APAGAR.



CONTROL DE LA VÁLVULA DE AIRE IZQUIERDA

- Presione para activar la válvula de aire izquierda.
- Utilice los alternadores para controlar la mezcla de aire.



CONTROL DE LA VÁLVULA DE AIRE DERECHA

- Presione para activar la válvula de aire derecha.
- Utilice los alternadores para controlar la mezcla de aire.



FUNCIÓN DE OLAS

- Presione para ENCENDER las olas.
- Presione para APAGAR las olas.
- Se pueden utilizar los botones +/- para ajustar la intensidad máxima.



CROMOTERAPIA

- Presione una vez para ENCENDER las luces en blanco nivel 2.
- Presione una vez más para rotar los colores.
- Presione una vez más para detenerse en el color actual.
- Presione una vez más para volver a rotar.
- Secuencia de colores: blanco, morado, azul, turquesa, verde, amarillo, anaranjado, rojo, rosado, repite.



LED DE ESTADO

- Informa la intensidad actual de la función seleccionada.



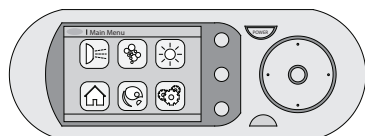
FUNCIÓN DE PURE AIR®

- Presione para ENCENDER.
- Presione de nuevo para APAGAR.
- Utilice los alternadores para controlar la intensidad.

Canales de aire de Pure Air® y Auto-Dri™

Para obtener las instrucciones de uso completas, consulte la página 5.

J5 Salon® Spa Controls



Panel de control J5

Panel de control LCD J5 Luxury opcional: Las instrucciones de funcionamiento para este panel se describen en la guía complementaria incluida en el paquete de la garantía. Consulte este documento para conocer los detalles completos sobre el funcionamiento (P/N GU47000).

Control de la dirección y flujo del hidromasaje

Para obtener las instrucciones de uso completas, consulte la página 12.

Procedimientos para la resolución de problemas

PROBLEMA	CAUSAS PROBABLES	SOLUCIÓN
El motor/la bomba no enciende.	<ul style="list-style-type: none"> El motor/la bomba no tiene suministro de energía. El motor/la bomba no está enchufado/a. Motor/bomba defectuoso/a. 	<ul style="list-style-type: none"> Reinicie el GFCI. Asegure el enchufe en la toma de corriente. Asegúrese de que el panel de control esté conectado a la caja de control. Comuníquese con Jacuzzi Luxury Bath al 800-288-4002.
El motor/la bomba funciona pero ningún chorro de ajuste completo está funcionando.	<ul style="list-style-type: none"> Los chorros están cerrados La tapa protectora de succión/el filtro pueden estar atascados. 	<ul style="list-style-type: none"> Abra los chorros girándolos en sentido horario. Con el motor APAGADO, retire la tapa protectora de succión/el filtro y elimine los residuos. Vuelva a colocar la tapa protectora de succión antes de encender la unidad
El motor/la bomba funciona pero no se inyecta aire en el agua.	<ul style="list-style-type: none"> Las válvulas de aire están cerradas. 	<ul style="list-style-type: none"> Abra las válvulas de control de aire.
Pérdidas de agua en las uniones de la bomba.	<ul style="list-style-type: none"> Demasiado apretado. La junta tórica puede estar mordida o mal asentada. Tensado insuficiente. 	<ul style="list-style-type: none"> Suelte las uniones. Controle y vuelva a asentar la junta tórica. Si la junta tórica está mordida y perdió su forma, reemplácela (consulte el número a continuación). Cuando ajuste las tuercas de las uniones, hágalo sólo manualmente.
El motor/la bomba se desconecta solo antes de que transcurra el tiempo necesario.	<ul style="list-style-type: none"> La protección térmica del motor desactivó el motor/la bomba debido a un sobrecalentamiento (suministro de voltaje bajo). Se activó el GFCI. El cableado de alimentación eléctrica es inadecuado. 	<ul style="list-style-type: none"> Deje enfriar el motor; la protección térmica se restablecerá. Asegúrese de que haya una ventilación adecuada (controle el voltaje de suministro). Reinicie el GFCI; si continúa activándose, no utilice esta unidad. Desconecte la unidad y busque un electricista matriculado que solucione el problema antes de volver a usarla. Consulte a un electricista matriculado para corregir la unidad de cableado.
Las luces de cromoterapia no funcionan.	<ul style="list-style-type: none"> El conector se aflojó. 	<ul style="list-style-type: none"> Comuníquese con Jacuzzi Luxury Bath al 800-288-4002.
El generador de burbujas de aire no arranca.	<ul style="list-style-type: none"> El motor/la bomba no tiene suministro de energía. El generador de burbujas de aire no está conectado. El generador de burbujas de aire está averiado. 	<ul style="list-style-type: none"> Reinicie el GFCI y/o disyuntor. Asegúrese de que el enchufe esté bien colocado en la toma. Asegúrese de que el panel de control esté conectado a la caja de control. Asegúrese de que la caja de control esté conectada al panel de control. Comuníquese con Jacuzzi Luxury Bath al 800-288-4002.
El generador de burbujas de aire funciona pero NO sale aire de los orificios.	<ul style="list-style-type: none"> Verifique que las válvulas estén fijas en la posición de cerrado. 	<ul style="list-style-type: none"> Comuníquese con Jacuzzi Luxury Bath al 800-288-4002.
El generador de burbujas de aire funciona pero NO sale aire de todos los orificios.	<ul style="list-style-type: none"> La intensidad del generador de burbujas de aire no es suficiente. Los orificios de aire están obstruidos. 	<ul style="list-style-type: none"> Aumente la intensidad del generador de burbujas de aire. NOTA: El sistema está diseñado para que todos los canales de aire funcionen en el 4.º ajuste del generador de burbujas de aire. Elimine la suciedad con un palillo de dientes o un cepillo dental.
El generador de burbujas de aire se apaga de manera imprevista.	<ul style="list-style-type: none"> Han transcurrido los 20 minutos del temporizador. Se activó el GFCI. El cableado de alimentación eléctrica es inadecuado. La ventilación es inadecuada. El conector se aflojó. 	<ul style="list-style-type: none"> Encienda el generador de burbujas de aire. Reinicie el GFCI; si continúa activándose, no utilice la unidad. Consulte a un electricista matriculado para que lo arregle. Comuníquese con Jacuzzi Luxury Bath al 800-288-4002.
El ciclo Auto-Dri™ asistido por drenaje arranca en varias ocasiones.	<ul style="list-style-type: none"> Los sensores de agua detectan múltiples condiciones de mojado y seco. 	<ul style="list-style-type: none"> Si durante un ciclo de Auto-Dri™ el agua entra en contacto con ambos sensores, el sistema funciona tal como se lo diseñó y continuará con el ciclo hasta que haya salido todo el exceso de agua. Quite las toallas o juguetes que puedan estar tapando los sensores.
El ciclo Auto-Dri™ asistido por drenaje no arranca a los 5 minutos de haberse vaciado la bañera completamente.	<ul style="list-style-type: none"> Los sensores de agua no están conectados y no detectan cuando la bañera está drenando. La caja de control está averiada. 	<ul style="list-style-type: none"> Comuníquese con Jacuzzi Luxury Bath al 800-288-4002.
El agua no mantiene la temperatura.	<ul style="list-style-type: none"> Se activó el interruptor de límite alto en el calentador. 	<ul style="list-style-type: none"> Oprima el botón de restablecimiento en el calentador.
La caída de agua no funciona.	<ul style="list-style-type: none"> La función de hidromasaje está apagada. La perilla de control de caída de agua está en la posición APAGADO. Hay desechos en la salida de la caída de agua. 	<ul style="list-style-type: none"> Encienda el hidromasaje. Gire la perilla de control de caída de agua en sentido antihorario hasta que el agua caiga con el flujo deseado. Utilice un material delgado, rígido y no abrasivo (como una tarjeta de crédito) y deslícela con cuidado hasta que ya no haya desechos en la abertura de caída de agua.



Si la unidad aún se encuentra dentro del período de la garantía, comuníquese con Servicio Técnico de Jacuzzi Luxury Bath al 1-800-288-4002 con el número de serie de su bañera antes de que se inicie el trabajo. El número de serie se encuentra en la Placa de Especificaciones/Número de serie.

NOTAS: