



## **EXPERIENCE MANUAL**

**Pure Air®**

**Whirlpool**

**Salon® Spa**

**Jacuzzi Luxury Bath**  
14525 Monte Vista Avenue  
Chino, CA 91710  
1-800-288-4002  
[www.jacuzzi.com](http://www.jacuzzi.com)

## Table of Contents

General Operation Information.....	2
Reference Illustration for a Pure Air® System.....	3
Pure Air® Operation.....	4
Pure Air® Auto-Dri™ Air Channels.....	5
Reference Illustration for a Whirlpool System.....	6
Whirlpool Operations.....	7
RapidHeat™.....	9
Cleaning.....	10
Suction Cover Maintenance.....	10
Reference Illustration for a Salon® Spa System.....	11
Salon® Spa Operations.....	12
Troubleshooting Procedures.....	13
Notes:.....	14

### General Operation Information

All bathtubs manufactured by Jacuzzi Luxury Bath are designed for “fill and drain,” which means the bathtub should be drained after each use and filled with fresh water by the next bather. This is a health precaution, as these bathtubs are not designed to hold water continuously like pools or spas.

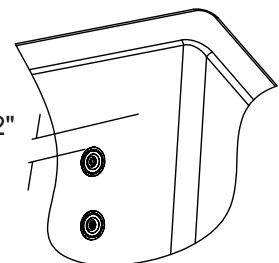
Close the drain and fill the bathtub until water is at least 1" to 2" (25 mm to 51 mm) above the highest jet or air inlet (see water line indicated in the illustration - Figure 1). Do not turn on the Whirlpool or Pure Air® system at any time if the jets or air inlets are not completely immersed in water. Running the Whirlpool or Pure Air® system when there is insufficient water in the bathtub could result in water spraying outside the bath area.



**ATTENTION:** When exiting the bathtub, the water level will drop below the jets which could result in water being sprayed out of the unit. To prevent this, you must turn unit OFF before exiting bathtub.

Fig. 1

Fill to at least 1" to 2"  
above highest jet



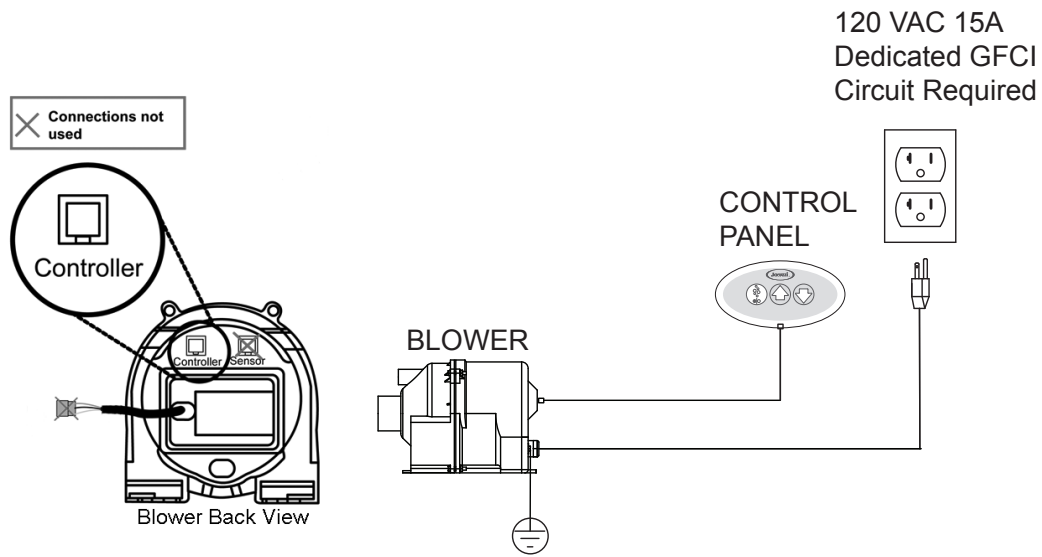
Reference Illustration for a Pure Air® System

⚠ These illustrations are for reference only, as the unit comes fully assembled.

⚡ **DANGER: RISK OF ELECTRIC SHOCK!** Before servicing these connections, disconnect all power supply cables to both 120 VAC services.

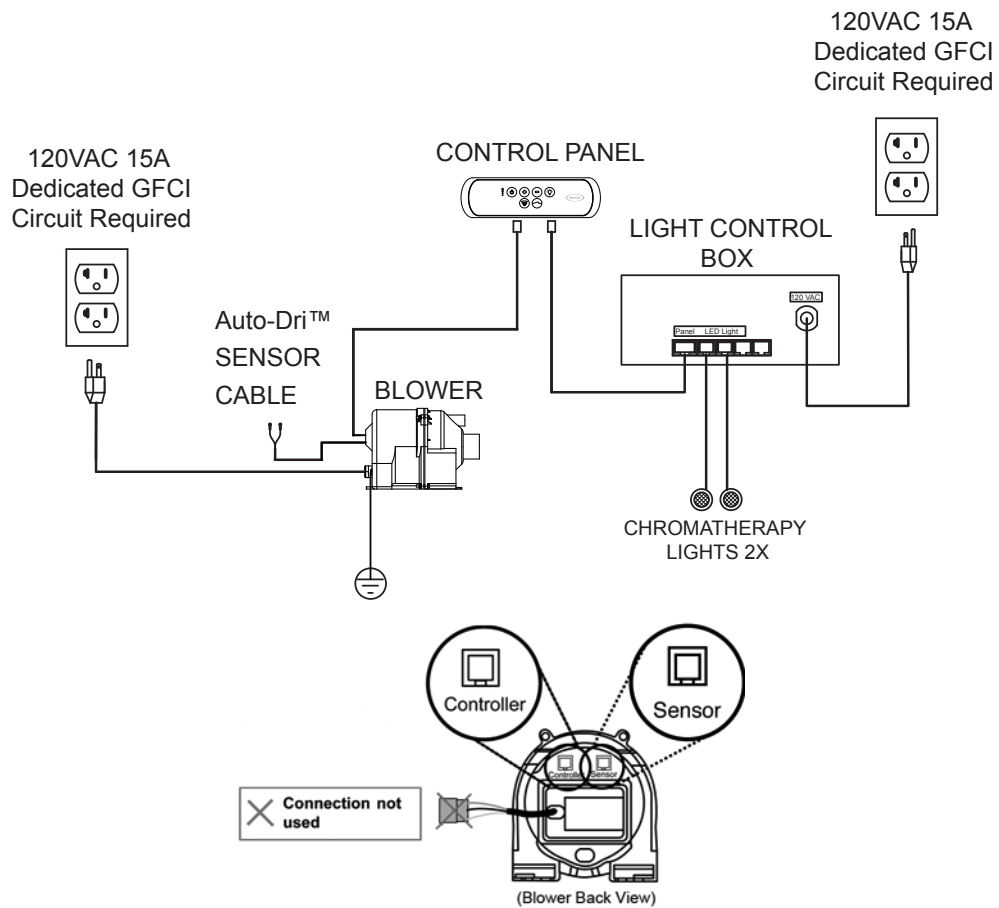
J2 Control Panel Pure Air® Schematic Diagram

Fig. 2



J4 Control Panel Pure Air® Schematic Diagram

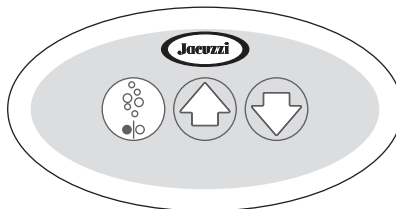
Fig. 3



Pure Air® Operation

J2 Pure Air® Controls

Fig. 4



- Press once to turn ON.
- Press again to turn OFF.

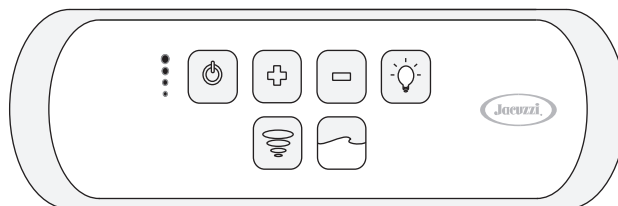
**NOTE:** The last blower setting used is remembered by the system and will automatically resume upon next use.

- Press to increase the blower intensity
- Alternately, you can press and hold the button to increase the intensity level.

- Press to decrease the blower intensity
- Alternately, you can press and hold the button to decrease the intensity level.

J4 Pure Air® Controls

Fig. 5



**NOTE:** When switching between functions, the LED for the inactive functions will dim and the active function will brighten.



**BLOWER OPERATION**

- Press to turn ON
- Press again to turn OFF
- Use toggles to control speed



**INCREASE TOGGLE**

- Press to increase the selected feature
- Press and hold 5 seconds to cancel daily Auto-Dri™
- To select a solid color, press the increase toggle when the color is displayed



**DECREASE TOGGLE**

- Press to decrease the selected feature



**CHROMATHERAPY**

- Press once to turn ON colored lighting
- Toggles will cycle colors and select color
- Press twice to turn on white lighting
- Toggles will increase/decrease intensity
- Press a third time to turn light OFF



**WAVE FEATURE**

- Press to turn ON
- Press again to turn OFF



**PULSE FEATURE**

- Press to turn ON
- Press again to turn OFF



**STATUS LED**

- Relays the current intensity of selected feature



Low  
1-2



Medium  
Low 3-4



Medium  
High 5-6



High  
7-8



## Pure Air® Auto-Dri™ Air Channels


To remove accumulations of bathtub residue from the whirlpool system, it is recommended that a Whirlpool bathtub be cleaned at least twice a month. For best results, however, we recommend that you clean your Whirlpool bathtub after each use using Systems Clean™, our exclusive two-part plumbing system cleaner made specifically for Whirlpool bathtubs. Systems Clean™ is available through an authorized Jacuzzi Luxury Bath distributor, by calling 1-800-288-4002 or may be purchased online at [www.jacuzzi.com](http://www.jacuzzi.com).


### J2 Auto-Dri™ Air Channels

The blower will operate for 20 minutes and then automatically shut off, unless power is manually turned off. In either case, 20 minutes after the blower has shut off, it will turn ON for a one-minute drying cycle to blow out any water remaining in the air system.

If the bath is used without the blower operating (showering or bathing without using the Pure Air® system), initiate the one-minute drying cycle manually by use of the ON/OFF switch. Turn the switch ON and OFF again as you exit the bath and the drying cycle will occur in 20 minutes.

### J2 Daily Auto-Dri™ Cycle

**To Activate:** Holding the  button for five-seconds when the blower is off activates the daily Auto-Dri™ cycle. The blower will start every day at the same time for one-minute. Once the daily Auto-Dri™ cycle is activated, the blower will come on for one-second, turn off for two-seconds, come on for one-second and then turn off.

**To Deactivate:** Holding the  button for five-seconds when the blower is off deactivates the daily Auto-Dri™ cycle. When the daily Auto-Dri™ cycle is deactivated, the blower will come on for one-second and then turn off.


### J4 Auto-Dri™ Air Channels

The Auto-Dri™ cycle is automatic and will reduce excessive accumulation of residual water in the air channels.

There are two Auto-Dri™ cycles: drain assisted Auto-Dri™ cycle and daily Auto-Dri™ cycle.

### J4 Drain Assist

The Auto-Dri™ cycle is sensor assisted – two sensors (metal dials) are located near the drain of the bathtub. The sensors detect the presence and absence of water in the bathtub.

 To ensure effective and correct operation of the water sensors, it is important to keep them clean and free from blockage or objects.

After bathing and following the emptying of the bathing well, the sensors detect a “no water” condition. A five minute wait time elapses and then the blower is activated. The blower will cycle through a range of speeds for 2 ½ minutes, during which either 2 or 3 indicator lights will flash at various speeds.

- The Auto-Dri™ cycle will engage even if the blower is not used during bathing.
- The cycle may initiate more than once if the sensors become wet during any part of the Auto-Dri™ operation or during routine cleaning of the bathtub. This is normal and does not require attention.

### J4 Daily Auto-Dri™ Cycle

Each day, the blower will automatically activate a daily Auto-Dri™ cycle. The blower will operate for one minute on high power, followed by 15 seconds at ½ power.

**To set Auto-Dri™ cycle time:** Wait until the time, which you desire the daily Auto-Dri™ cycle to activate, with the blower off, press and hold the plus button for five seconds. To confirm that you have set the time, the blower will cycle between on and off 2 times in a 4 second span.

**To cancel daily Auto-Dri™ cycle:** With the blower off, press and hold the plus button for five seconds. To confirm that you have cancelled the Auto-Dri™ cycle, the blower will come on for 1 second and then stop.

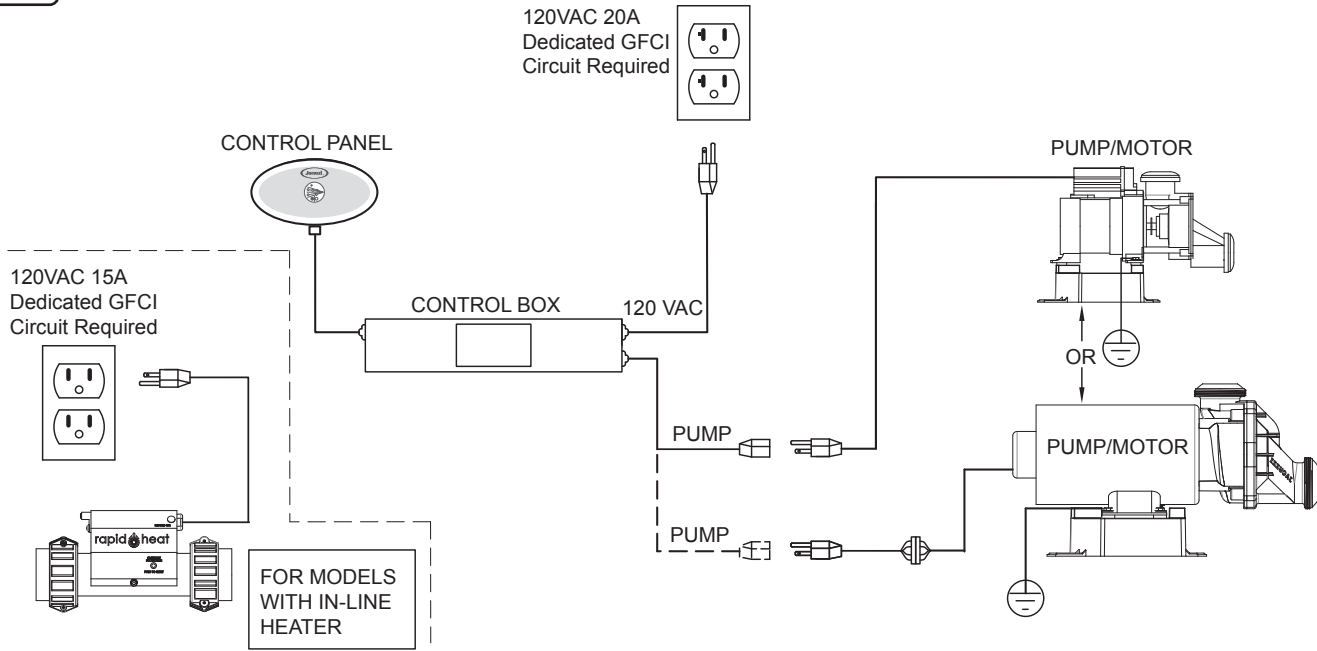
 You must set the daily Auto-Dri™ cycle upon installation; the default is no pre-set daily Auto-Dri™ cycle.

 If a power failure occurs, the system will default to no daily Auto-Dri™ cycle.

Reference Illustration for a Whirlpool System

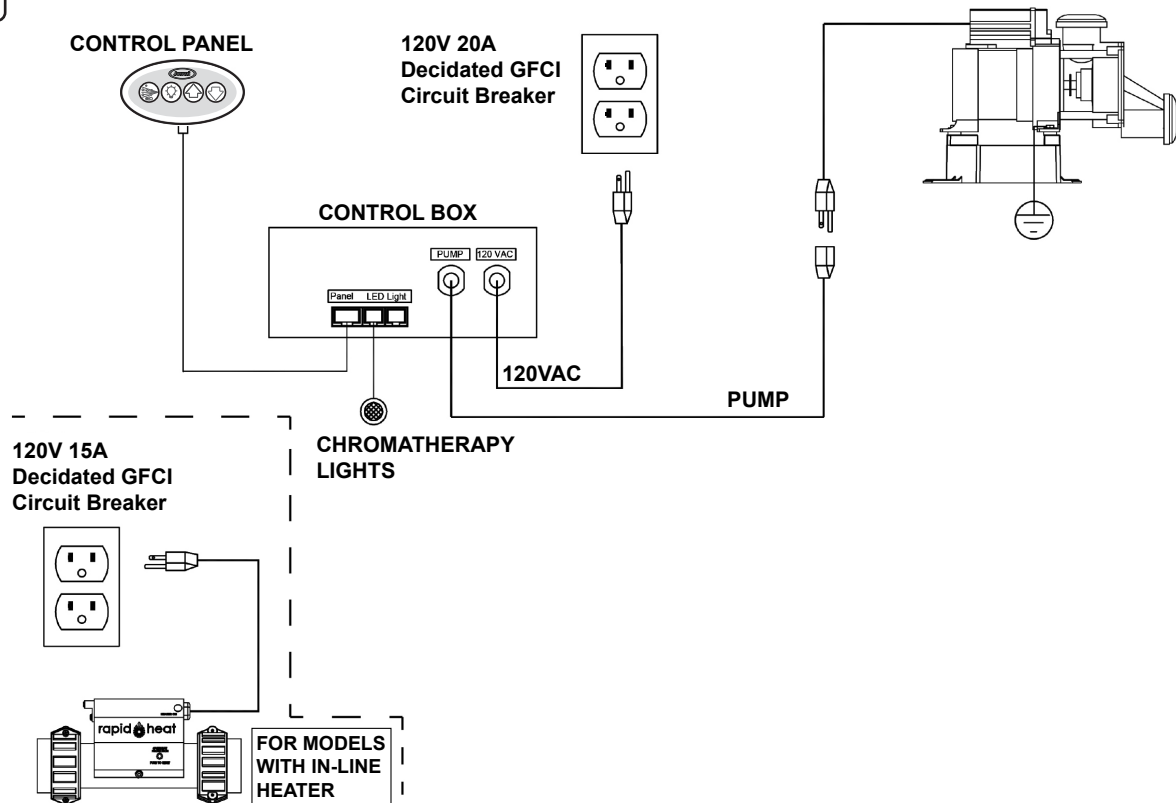
J2 Control Panel Whirlpool Schematic Diagram

Fig. 6



J2 Control Panel Whirlpool with Chromotherapy Schematic Diagram

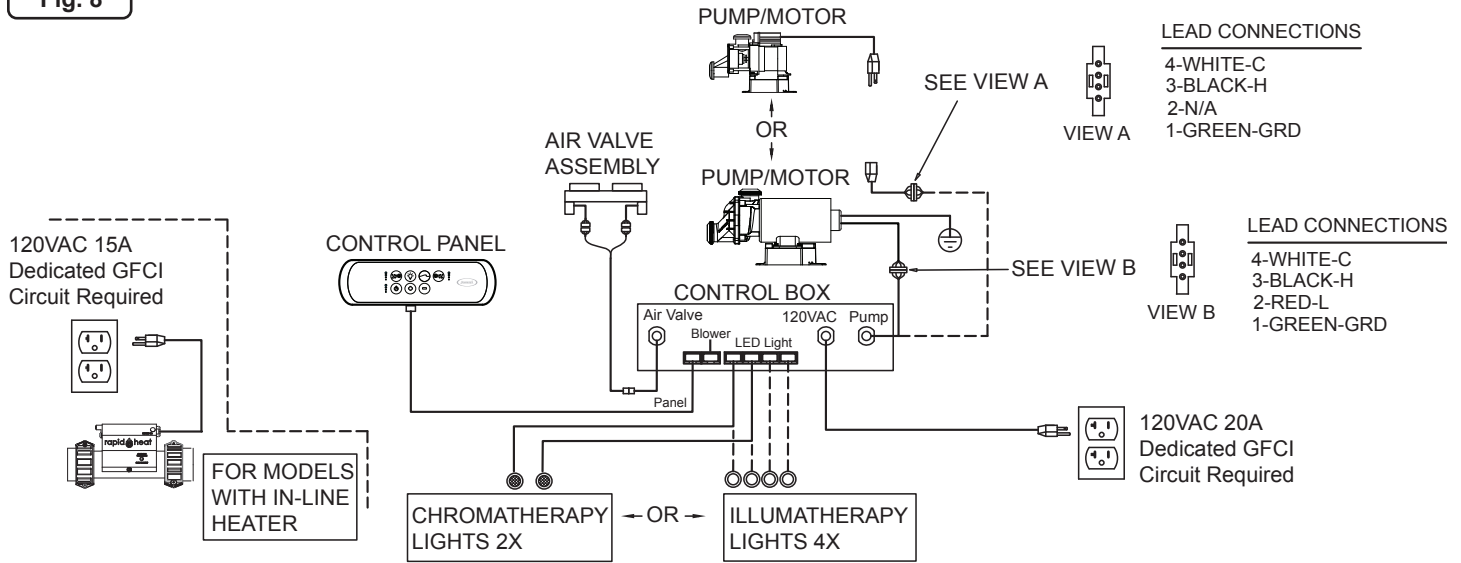
Fig. 7



Reference Illustration for a Whirlpool System (Continued)

J4 Control Panel Whirlpool Schematic Diagram

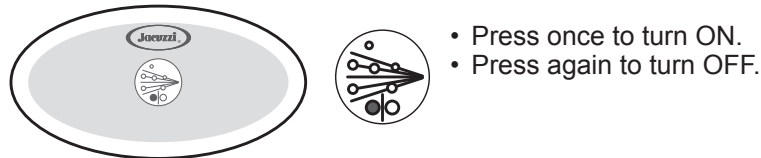
Fig. 8



Whirlpool Operations

J2 Whirlpool Controls

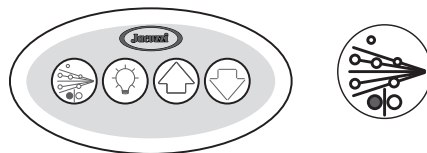
Fig. 9



- Press once to turn ON.
- Press again to turn OFF.

J2 Whirlpool Controls with Chromatherapy Controls

Fig. 10



- Press once to turn ON.
- Press again to turn OFF.



- Press once to activate color lighting.
  - Press a second time to activate solid White color.
  - Press a third time to turn OFF.
- NOTE:** The Up and Down buttons can be used to select colors or intensity.



- Press button to activate the color blending feature.
  - Light sequence is as follows: Blue, Teal, Green, Yellow, Orange, Red, Pink, Purple.
  - To select a solid color press the Up button when the color is displayed.
  - Solid White color only: pressing will increase the light intensity
- NOTE:** Default lighting color is solid Blue.

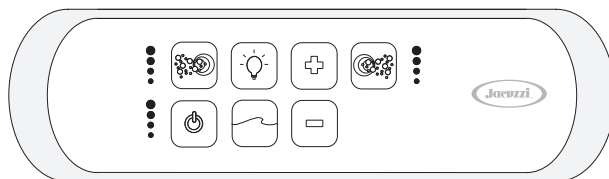


- Press button to activate the color blending feature.
  - Light sequence is as follows: Purple, Pink, Red, Orange, Yellow, Green, Teal, Blue.
  - To select a solid color press the Down button when the color is displayed.
  - Solid White color only: pressing will decrease the light intensity
- NOTE:** Default lighting color is solid Blue.

**Whirlpool Operations (Continued)**

**J4 Whirlpool Controls**

**Fig. 11**



**NOTE:** When switching between functions, the LED for the inactive functions will dim and the active function will brighten.



**WHIRLPOOL**

- Press to turn ON
- Press again to turn OFF
- Use toggles to control speed\*

\* Whirlpool speed available only for models equipped with 2-speed motors



**INCREASE TOGGLE**

- Press to increase the selected feature
- To select a solid color, press increase toggle when color is displayed



**DECREASE TOGGLE**

- Press to decrease the selected feature



**LEFT AIR VALVE CONTROL**

- Press to activate the left air valve
- Use toggles to control air mix



**RIGHT AIR VALVE CONTROL**

- Press to activate the right air valve
- Use toggles to control air mix



**WAVE FEATURE**

- Press to turn ON
- Press again to turn OFF



**CHROMATHERAPY**

- Press once to turn ON colored lighting
- Toggles will cycle colors and select color
- Press twice to turn on white lighting
- Toggles will increase/decrease intensity
- Press a third time to turn light OFF



**STATUS LED**

- Relays the current intensity of selected feature



**Whirlpool Operations (Continued)**

**Controlling Whirlpool Direction & Flow**

**⚠ CAUTION:** Never run the whirlpool system with all the jets closed.

To adjust the direction of the jets:

- To change the direction of the water flow, swivel the jet nozzle to the desired angle, Figure 12.

To adjust the water flow to the jets:

- Increase the force of the flow by rotating the nozzle or jet face to the left (counterclockwise). Decrease the force of the flow by rotating the nozzle or jet face to the right (clockwise). Reference Figure 13.

Fig. 12

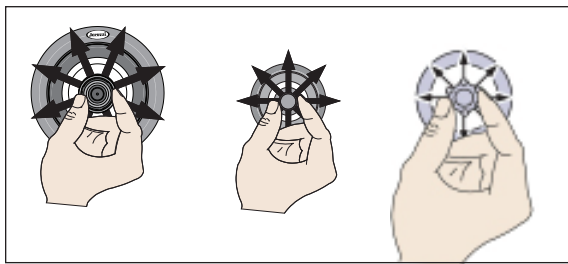
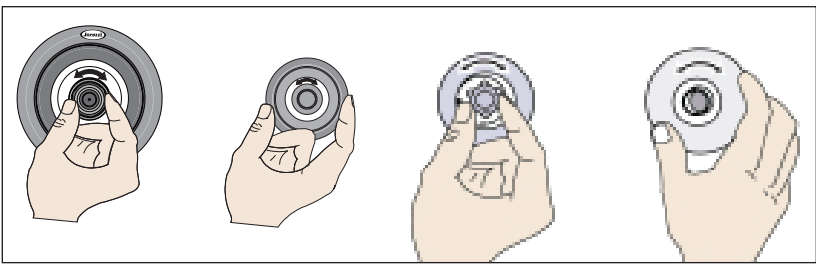


Fig. 13



**RapidHeat™**

**RapidHeat™ (Standard on Salon® models)**

The heater turns ON automatically any time whirlpool operation is active. Heater operation is not displayed on the control panel. There is a visible indicator light on the heater itself that signifies the heater is operating. The heater will help maintain the temperature of the water in the bathtub. It is not intended to heat the water to a desired temperature.

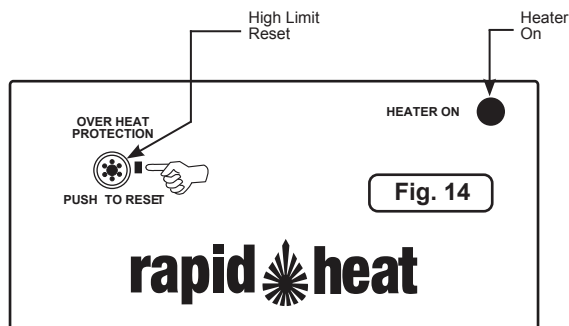
**⚠ IMPORTANT NOTE:**  
Heater will only work when the water temp is 77°F or above. You should always fill the tub with warm water.

**Vacuum Switch**

The heater is equipped with a preset vacuum switch which will not allow the heater to turn ON if the pump is not running and water is not flowing through the whirlpool system.

**High-Limit Switch**

The heater includes an exclusive High-Limit switch. This safety circuit will not false trip from hot tap water. It will only turn OFF the heater if the thermostat fails. To reset, press the button. If the high-limit trips frequently, please contact us at [www.jacuzzi.com](http://www.jacuzzi.com), or at 1-800-288-4002.



**Cleaning**

**Systems Clean™**

To remove accumulations of bathtub residue from the whirlpool system, it is recommended that a Whirlpool bathtub be cleaned at least twice a month. For best results, we recommend that you clean your Whirlpool bathtub after each use using Systems Clean™, our exclusive two-part plumbing system cleaner made specifically for Whirlpool bathtubs. Systems Clean™ is available through an authorized Jacuzzi Luxury Bath distributor or by calling us direct at 1-800-288-4002.

**Bathtub Additives**

**CAUTION:** Do not use oil or oil-based bathtub additives. Never use abrasive or caustic household cleaners on any Jacuzzi Luxury Bath product.

If you want to use any kind of bathtub additive, use only a small amount of low-foaming powder or crystal substance; the whirlpool action intensifies the foaming properties of soaps.

The use of certain bathtub oils, bubble baths, and bathtub additives may increase the level of accumulations of bathtub residue in the Whirlpool system and may cause false reading of the water level sensors. If excess accumulations persist, you should discontinue use of these products.

To remove accumulations of bathtub residue from the Whirlpool system, it is recommended that a bathtub be cleaned regularly. For best results, we recommend that you clean your Whirlpool bathtub after each use using Systems Clean™, our exclusive two-part plumbing system cleaner made specifically for Whirlpool bathtubs. Systems Clean™ is available through an authorized Jacuzzi Luxury Bath distributor, or by calling 1-800-288-4002 or may be purchased online at [www.jacuzzi.com](http://www.jacuzzi.com).

To clean your bathtub, simply use a mild, non-abrasive liquid detergent solution. You can protect and restore the gloss to a dulled acrylic surface by applying Meguiar's #10 Mirror Glaze, a product specifically designed for use on acrylic finishes. If Meguiar's is not available, use a fine grade automotive rubbing compound followed by an application of clear automotive paste wax.

Minor scratches which do not penetrate the color finish can be removed by lightly sanding with 600-grit wet/dry sandpaper. Restore the gloss using Meguiar's Mirror Glaze or automotive paste wax. Major scratches and gouges which penetrate the acrylic surface will require refinishing. Call Jacuzzi Luxury Bath to find a service agent in your area.

**Suction Cover Maintenance**

**Whirlpool Suction Cover/Strainer Maintenance**

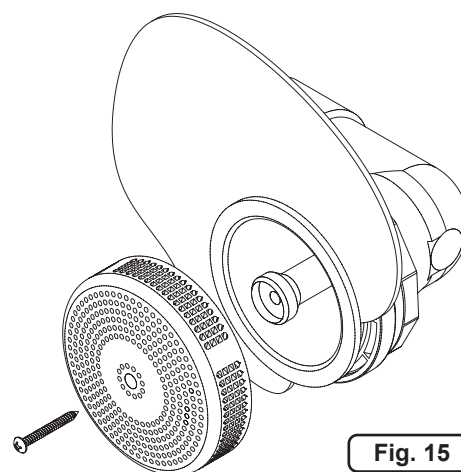
Clean the suction cover/strainer of hair and debris when necessary.

1. Remove the center screw and detach the suction cover.
2. Clean the cover by back flushing debris from the holes.
3. Replace the suction cover immediately after cleaning.

**WARNING!** When reinstalling, orient the cover/strainer with the small notch at the bottom. The gasket must be inserted into the groove of the cover/strainer before reinstalling onto the suction fitting.

**DANGER: RISK OF SEVERE INJURY OR DROWNING!** Keep hair a minimum of 6 inches (152 mm) away from the suction fitting at all times when the whirlpool system is operating. Hair longer than shoulder length should be secured close to the head, or a bathing cap should be worn.

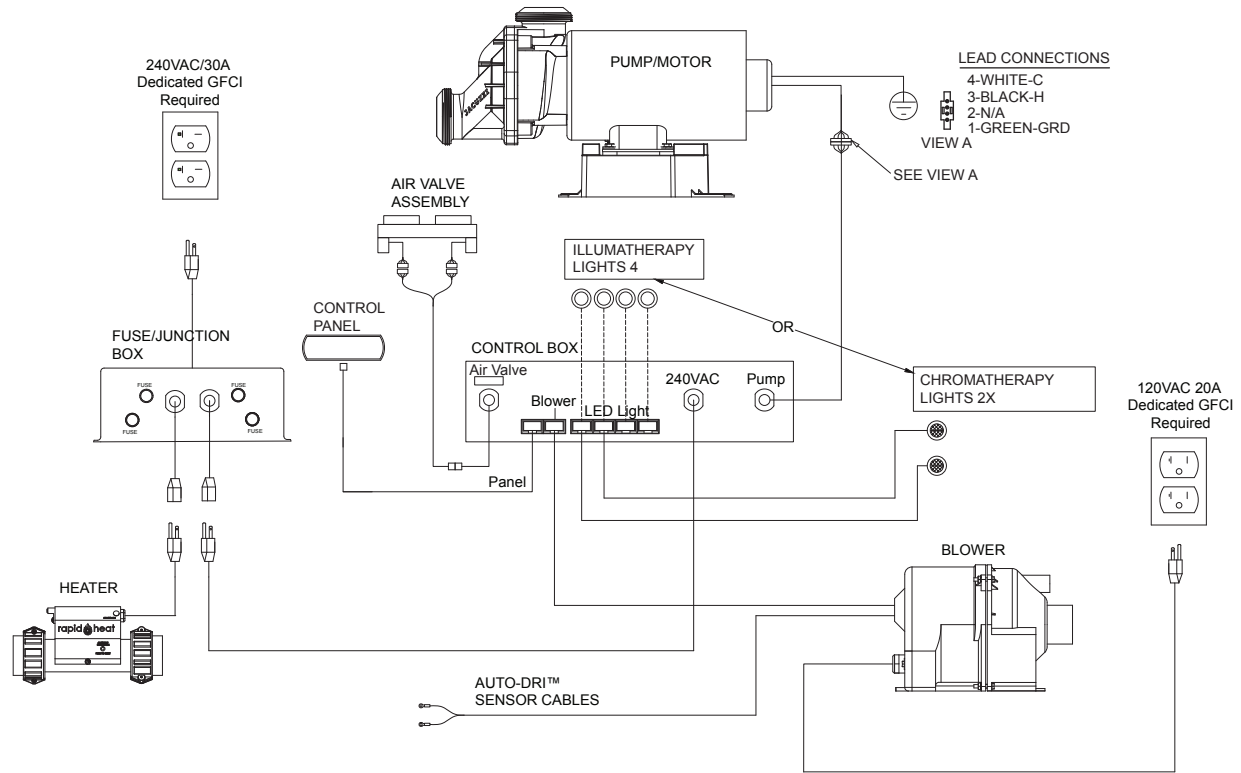
**DANGER: RISK OF SEVERE INJURY OR DROWNING!** Do not operate the Whirlpool system with the suction cover/strainer removed! It is a safety device and must always be in place on the suction fitting to minimize the potential hazard of hair and body entrapment.



Reference Illustration for a Salon® Spa System

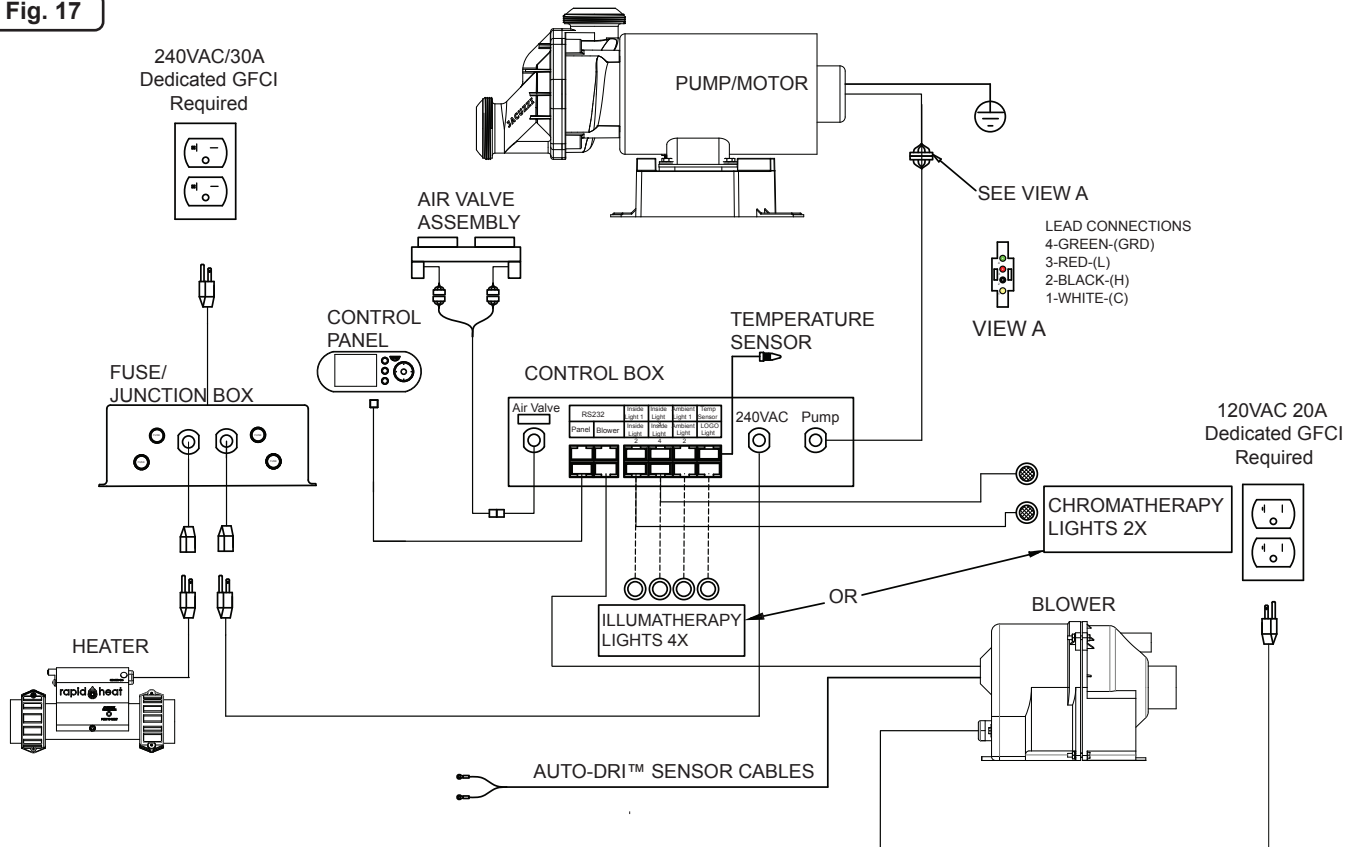
J4 Control Panel Salon® Spa Schematic Diagram

Fig. 16



J5 Control Panel Salon® Spa Schematic Diagram

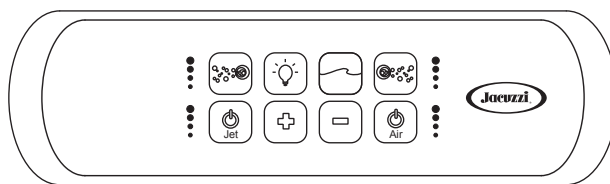
Fig. 17



**Salon® Spa Operations**

**J4 Salon® Spa Controls**

**Fig. 18**



**NOTE:** When switching between functions, the LED for the inactive functions will dim and the active function will brighten.



**WHIRLPOOL**

- Press to turn ON
- Press again to turn OFF
- Use toggles to control speed



**INCREASE TOGGLE**

- Press to increase the selected feature
- Press and hold 5 seconds to set of cancel daily Auto-Dri™
- To select a solid color, press the increase toggle when color is displayed



**DECREASE TOGGLE**

- Press to decrease the selected feature



**LEFT AIR VALVE CONTROL**

- Press to activate the left air valve
- Use toggles to control air mix



**RIGHT AIR VALVE CONTROL**

- Press to activate the right air valve
- Use toggles to control air mix



**WAVE FEATURE**

- Press either Whirlpool or Pure Air® feature
- Press to turn ON wave
- Press again to turn OFF wave



**CHROMATHERAPY OR ILLUMATHERAPY**

- Press once to turn ON colored lighting
- Toggles will cycle colors and select color
- Press twice to turn on white lighting
- Toggles will increase/decrease intensity
- Press a third time to turn light OFF



**STATUS LED**

- Relays the current intensity of selected feature



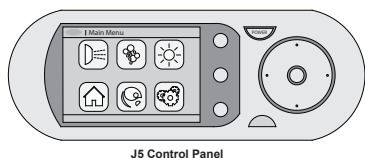
**PURE AIR® FEATURE**

- Press to turn ON
- Press again to turn OFF
- Use toggles to control intensity

**Pure Air® and Auto-Dri™ Air Channels**

For complete operating instructions reference page 5.

**J5 Salon® Spa Controls**



J5 Control Panel

Optional J5 Luxury LCD Control Panel: Operation instructions for this panel are outlined in the supplemental guide provided in your warranty pack. Refer to this document for complete operation details (P/N GU47000).

**Controlling Whirlpool Direction and Flow**

For complete operating instructions reference page 10.



## Troubleshooting Procedures

PROBLEM	PROBABLE CAUSES	REMEDY
Pump/motor does not start	<ul style="list-style-type: none"> <li>No power to pump/motor</li> <li>Pump/motor not plugged in</li> <li>Pump/motor faulty</li> </ul>	<ul style="list-style-type: none"> <li>Reset GFCI</li> <li>Insert plug securely into outlet</li> <li>Ensure control panel is connected to control box</li> <li>Contact Jacuzzi Luxury Bath @ 800-288-4002</li> </ul>
Pump/motor operates but no fully adjustable jets are functioning	<ul style="list-style-type: none"> <li>Jets are closed</li> <li>Suction cover/strainer may be clogged</li> </ul>	<ul style="list-style-type: none"> <li>Open jets by rotating counter-clockwise</li> <li>With the motor turned OFF, remove the suction cover/strainer and remove any debris. Replace the suction cover before operating</li> </ul>
Pump/motor operates but air is not injected into the water	<ul style="list-style-type: none"> <li>Air valves are closed</li> </ul>	<ul style="list-style-type: none"> <li>Open air control valves</li> </ul>
Water leakage from pump unions	<ul style="list-style-type: none"> <li>Overtightened, O-ring may be pinched or improperly seated, undertightened</li> </ul>	<ul style="list-style-type: none"> <li>Loosen unions, check and reseal O-ring. If O-ring has been pinched out of shape, replace (refer to number below). When tightening union nuts, hand tighten only</li> </ul>
Pump/motor shuts off by itself before time elapses	<ul style="list-style-type: none"> <li>Motor thermal protection has deactivated pump/motor due to overheating (supply voltage low)</li> <li>GFCI tripped</li> <li>Inadequate supply wiring</li> </ul>	<ul style="list-style-type: none"> <li>Let motor cool; thermal protection will reset. Check for proper ventilation (check supply voltage)</li> <li>Reset GFCI; if it continues to trip, do not use this unit. Disconnect the unit and have the problem corrected by a licensed electrician before using</li> <li>Consult a licensed electrician to correct the wiring unit</li> </ul>
Chromatherapy lights do not operate	<ul style="list-style-type: none"> <li>Connector has come loose</li> </ul>	<ul style="list-style-type: none"> <li>Contact Jacuzzi Luxury Bath @ 800-288-4002</li> </ul>
Blower does not start	<ul style="list-style-type: none"> <li>No power to pump/motor</li> <li>Blower not connected</li> <li>Blower faulty</li> </ul>	<ul style="list-style-type: none"> <li>Reset GFCI and/or breaker</li> <li>Ensure plug is fully in outlet</li> <li>Ensure control panel is connected to control box</li> <li>Ensure control box is connected to control panel</li> <li>Contact Jacuzzi Luxury Bath @ 800-288-4002</li> </ul>
Blower operates but NO air is exiting the holes	<ul style="list-style-type: none"> <li>Check valves are stuck in the closed position</li> </ul>	<ul style="list-style-type: none"> <li>Contact Jacuzzi Luxury Bath @ 800-288-4002</li> </ul>
Blower operates but air is not exiting all of the holes	<ul style="list-style-type: none"> <li>Blower intensity is not sufficient</li> <li>Obstructed air holes</li> </ul>	<ul style="list-style-type: none"> <li>Increase the blower intensity. NOTE: The system is designed such that all air channels operate at the 4th blower setting.</li> <li>Remove debris with a toothpick or tooth brush</li> </ul>
Blower shuts off unexpectedly	<ul style="list-style-type: none"> <li>20 minute timer has elapsed</li> <li>GFCI tripped</li> <li>Inadequate supply wiring</li> <li>Improper ventilation</li> <li>Connector has come loose</li> </ul>	<ul style="list-style-type: none"> <li>Turn on blower</li> <li>Reset GFCI; if it continues to trip, do not use the unit</li> <li>Consult a licensed electrician to correct</li> <li>Contact Jacuzzi Luxury Bath @ 800-288-4002</li> </ul>
Drain assist Auto-Dri™ cycle comes on multiple times	<ul style="list-style-type: none"> <li>Water sensors detect multiple wet and dry conditions</li> </ul>	<ul style="list-style-type: none"> <li>If during a Auto-Dri™ cycle, water is coming in contact with both sensors, the system is working as designed and will continue to Auto-Dri™ until excess water is expelled</li> <li>Remove any washcloth or toy that may be covering the sensors</li> </ul>
Drain assist Auto-Dri™ does not come on 5 minutes after bathtub is drained out completely	<ul style="list-style-type: none"> <li>Water sensors not connected and not detecting water being drained out of the tub</li> <li>Faulty control box</li> </ul>	<ul style="list-style-type: none"> <li>Contact Jacuzzi Luxury Bath @ 800-288-4002</li> </ul>
Water not maintaining temperature	<ul style="list-style-type: none"> <li>High limit switch on heater has tripped</li> </ul>	<ul style="list-style-type: none"> <li>Press Reset button on heater</li> </ul>
Waterfall not working	<ul style="list-style-type: none"> <li>Whirlpool function not on</li> <li>Waterfall control knob is in the OFF position</li> <li>Debris in waterfall outlet</li> </ul>	<ul style="list-style-type: none"> <li>Turn on whirlpool</li> <li>Turn waterfall control knob counter-clockwise until water flow is at the desired flow</li> <li>Use a thin, rigid and non-abrasive material (ie. credit card) and gently swipe back and forth until debris is cleared away from the waterfall opening</li> </ul>



If the unit is within the warranty period, contact Jacuzzi Luxury Bath Service Support at 1-800-288-4002 with your bath's serial number before work is started. The serial number is located on the Specification/Serial Number Plate.



English

Experience

Notes:

---

---

---

---

---

---

---

---

---

---