

HINKLEY

44" VENTUS™

INDOOR LED FAN



CEILING FAN INSTRUCTION MANUAL

WE WANT YOU TO LOVE YOUR NEW FAN

SO WE'RE HERE IF YOU HAVE A QUESTION, NEED SOME HELP OR WANT TO CHAT ABOUT OUR PRODUCTS. SEND SUGGESTIONS OUR WAY TOO—WE'RE ALWAYS LOOKING TO MAKE YOUR EXPERIENCE WITH HINKLEY A POSITIVE ONE.

> SERVICE@HINKLEY.COM

> [800.HINKLEY](tel:800.HINKLEY)

> [LET'S SEE THAT HINKLEY STYLE @HINKLEY](#)
[#HINKLEYSSTYLE](#)

This manual contains complete instructions for the installation and operation of this fan. It has been designed to make the installation process as easy as possible. If you are unfamiliar or uncomfortable with wiring, please contact a qualified electrician. If you need additional assistance or have any questions, please reach out to us.

For warranty information, visit hinkley.com.

TABLE OF CONTENTS

02	GENERAL INSTALLATION & OPERATING INSTRUCTIONS	11	INSTALLING THE MONTING PLATE
03	IMPORTANT SAFETY PRECAUTIONS	12	INSTALLING THE LIGHT KIT AND GLASS SHADE
03	TOOLS & MATERIALS REQUIRED	13	INSTALLING THE WALL TRANSMITTER
04	UNPACKING YOUR FAN	14	OPERATION
05	PREPARATION	16	CARE AND CLEANING
05	INSTALLING THE HANGING BRACKET	16	TROUBLESHOOTING
06	HANGING THE FAN	17	ENERGY GUIDE
08	ELECTRICAL CONNECTIONS	17	SPECIFICATIONS
10	FINISHING THE INSTALLATION	17	SMART BY BOND
11	BLADE ATTACHMENT		

WARNING:

Read and follow these instructions carefully and be mindful of all warnings shown throughout.

GENERAL INSTALLATION & OPERATION INSTRUCTIONS

- 1 To ensure the success of the installation, be sure to read the instructions and review the diagrams thoroughly before beginning.
- 2 To avoid possible electric shock, be sure electricity is turned off at the main power box before wiring. All electrical connections must be made in accordance with local codes, ordinances and/or the National Electric Code. If you are unfamiliar with the methods of installing electrical wiring and products, secure the services of a qualified and licensed electrician as well as someone who can check the strength of the supportive ceiling members and make the proper installation(s) and connections.
- 3 **WARNING:** To reduce the risk of fire, electric shock, or other personal injury, mount fan only on an outlet box or supporting system marked acceptable for fan support of 35 lbs (15.9 kg) or less and use mounting screws provided with the outlet box. Most outlet boxes commonly used for the support of lighting fixtures are not acceptable for fan support and may need to be replaced. Consult a qualified electrician if in doubt.
- 4 Make sure that your installation site will not allow rotating fan blades to come in contact with any object. Blades should be at least 7 feet from floor.
- 5 Blades should be attached after motor housing is hung and in place. Fan motor housing should be kept in the carton until ready to be installed to protect its finish. If you are installing more than one ceiling fan, make sure that you do not mix fan blade sets, as each blade is part of a weighted set.
- 6 After making electrical connections, spliced conductors should be turned upward and pushed carefully up into outlet box. The wires should be spread apart with the common conductor and the grounding conductor on one side of the outlet box, and the "HOT" wires on the other side.
- 7 Electrical diagrams are for reference only. Light kits that are not packed with the fan must be UL listed and should be installed per the light kit's installation instructions.
- 8 After fan is completely installed, check to make sure that all connections are secure to prevent fan from falling and/or causing damage or injury.
- 9 The fan can be made to work immediately after installation - the bearings are adequately charged with grease so that, under normal conditions, further lubrication should not be necessary for the life of the fan.
- 10 Do not operate the reverse switch while the fan blades are in motion. The fan must be turned off and the blades stopped before reversing the blades direction.

IMPORTANT SAFETY PRECAUTIONS

WARNINGS:

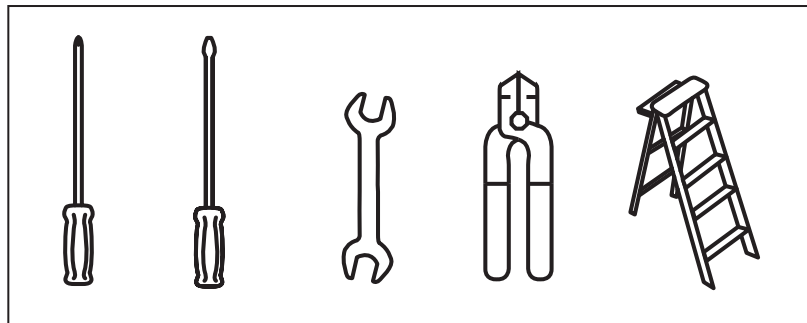
- Disconnect power by removing fuse or turning off circuit breaker before installing the fan and/or optional lighting.
- Support directly from building structure.
- To reduce the risk of fire, electric shock, or personal injury, mount to outlet box marked "acceptable for fan support" and use mounting screws provided with the outlet box. Most outlet boxes commonly used for the support of lighting fixtures are not acceptable for fan support and may need to be replaced. Consult a qualified electrician if in doubt.
- Do not use an incandescent light dimmer. Do not use this fan with any transformer type fan speed control device.
- To reduce the risk of personal injury, do not bend the blade arms when installing them, balancing the blades or cleaning the fan. Do not insert any objects(s) between rotating fan blades.

NOTE:

The important precautions, safeguards and instructions appearing in this manual are not meant to cover all possible conditions and situations that may occur. It must be understood that common sense, caution and carefulness are factors which cannot be built into this product. These factors must be supplied by the person(s) installing, caring for and operating the unit.

TOOLS & MATERIALS REQUIRED

- PHILLIPS SCREWDRIVER
- FLAT SCREWDRIVER
- WRENCH OR PLIERS
- WIRE CUTTER
- STEPLADDER
- WIRING SUPPLIES AS REQUIRED BY ELECTRICAL CODE



UNPACKING YOUR FAN

UNPACK YOUR FAN AND CHECK THE CONTENTS.

- Do not discard the carton. If warranty replacement or repair is ever necessary, the fan should be returned in original packing. Remove all parts and hardware. Do not lay motor housing on its side, or the decorative housing may shift, be bent or damaged.
- Examine all parts. You should have the following:

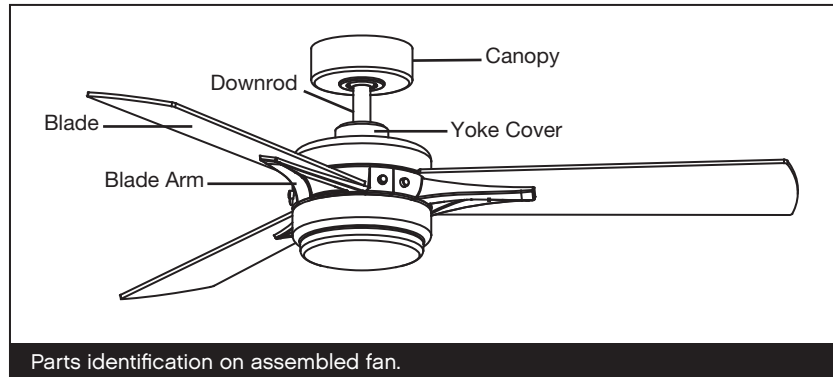
VENTUS PACKAGE CONTENT		
1	Blade Set of 3	BL902844Fxx
2	Hanging Bracket	CA900752Fxx
3	Ceiling Canopy and Trim Ring	
4	Downrod Asm.	DR94014Fxx
5	Yoke Cover	YC902852Fxx
6	Fan Housing with Motor *Remove rubber shipping supports around motor, if applicable. Save the screws.	x
7	Blade Arm Set of 3	BLI902852Fxx
8	Adapter Plate	AP902852Fxx
9	16W LED Assembly	E902852
10	Glass Shade	GL902852ETCH
11	Receiver+6 wire nuts	RC902844Fxx
12	Wall Control w/12v Battery	WC902852
13	Hardware Bag Bracket Mounting Hardware (wood screws, screws, lock washers, star washers, flat washers, wire nuts), Blade to Blade Arm Screws w/Fiber Washers (10), Balance kit, Safety cable hardware (wood screw, flat washer)	
NOTE: Design of parts shown above may look slightly different for your specific model of fan.		XX=FAN FINISH

PREPARATION

PREPARATION:

Verify you have all parts before beginning the installation. Check foam insert closely for missing parts. Remove motor from packing. To avoid damage to finish, assemble motor on soft padded surface or use the original foam inset in motor box.

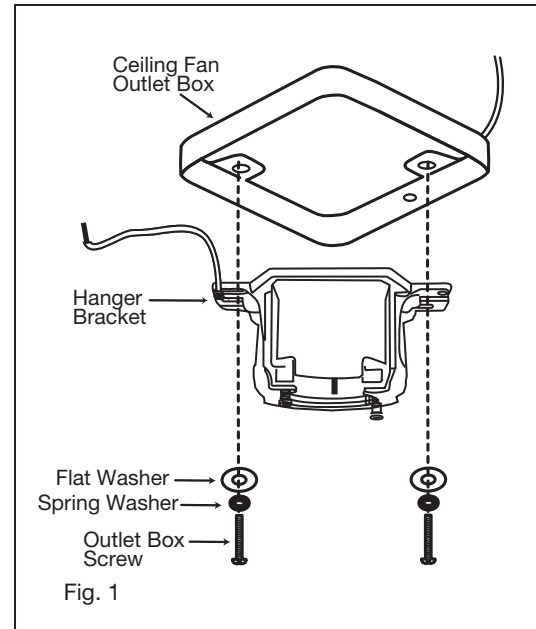
DO NOT LAY MOTOR HOUSING ON ITS SIDE AS THIS COULD RESULT IN SHIFTING OF MOTOR IN DECORATIVE ENCLOSURE.



INSTALLING THE HANGING BRACKET

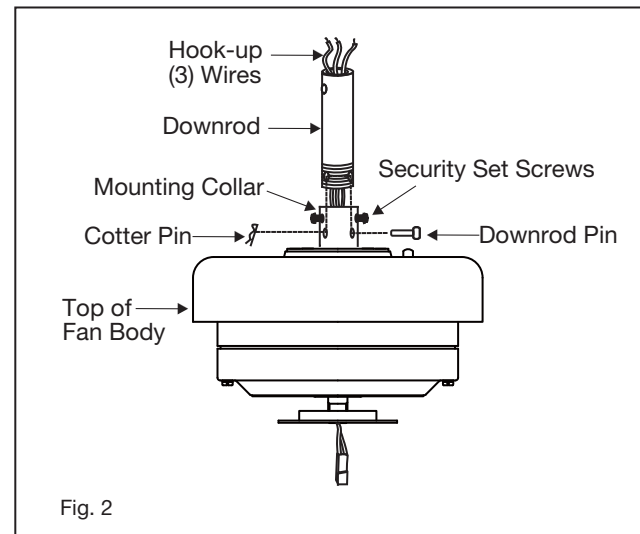
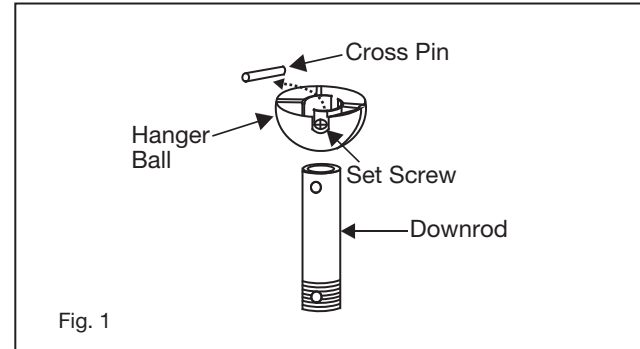
CAUTION: To avoid possible electrical shock, be sure electricity is turned off at the main power box before wiring. All wiring must be in accordance with National and Local Electrical Codes and the ceiling fan must be grounded as a precaution against possible electric shock.

- 1 Locate ceiling joist where fan is to be mounted, being sure location agrees with the requirements in the minimum clearance section of this guide. Wood joists must be sound and of adequate size to support 35 pounds (See page 2, items 3 and 4).
- 2 If not already present, mount a UL listed outlet box marked "suitable for fan support" following the instructions provided with the outlet box. The outlet box must be able to support a minimum of 35 pounds.
- 3 Remove canopy from hanger bracket. Remove twist-lock trim ring by rotating counter-clockwise. Remove canopy screw that does not have key slot in canopy. Loosen screw with key slot and remove canopy.
- 4 Attach hanging bracket to outlet box using screws provided with the outlet box.



HANGING THE FAN

- 1 Remove ball from downrod by loosening set screw in the side of the ball. Slide ball down and remove ball pin; remove ball. (Fig. 1)
- 2 Carefully support fan body (motor) in its styrofoam packing with the mounting collar (where the wires come out) facing upward.
- 3 Loosen the two security set screws and remove the downrod pin instead of hitch pin from the coupling on top of the motor assembly. (Fig. 2)
- 4 Carefully feed the electrical lead wires from the fan through the downrod. Thread downrod into coupler until holes align. Insert downrod pin through holes in mounting collar and downrod; clip cotter pin through small hole in end of downrod pin to hold downrod in place.
- 5 Tighten security set screws against downrod using a large flat blade screwdriver to ensure a tight fit against downrod. Tighten nuts against mounting collar.

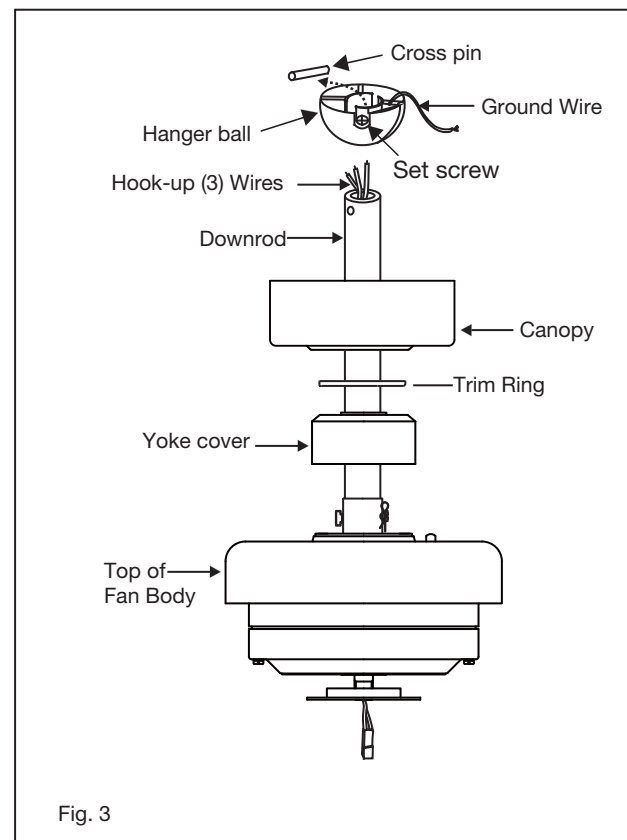


- 1 Slip the yoke cover, trim ring and canopy onto the downrod. (Fig. 3)
- 2 Thread the hanger ball onto the downrod, insert the cross pin through the downrod and tighten. Tighten the set screw.

NOTE:

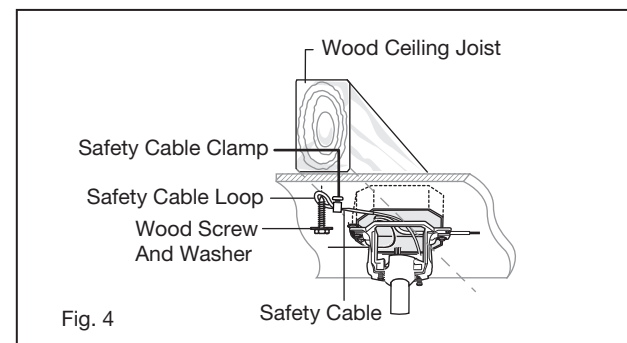
Fan has 6 feet of hook-up wire in case you are using a long extension downrod.

- 3 Lift ball/downrod/fan into hanger bracket opening. **NOTE:** The tab opposite hanger bracket opening should fit in slot on ball. (Fig. 4)
- 4 Make wire connections, (refer to section titled "Electrical Connections").
- 5 Slide canopy up and fasten to hanger bracket with 4 screws provided.



INSTALLATION OF SAFETY CABLE SUPPORT

Attach the wood screw and the flat washer to the ceiling joist as shown (do not fully tighten). Slide the cable clamp onto the safety cable from the fan. Loop the safety cable around the wood screw that was just attached to ceiling joist. Feed the end of the cable into the clamp and pull as much cable through as possible. Firmly tighten screw in the clamp. Cut off excess cable.

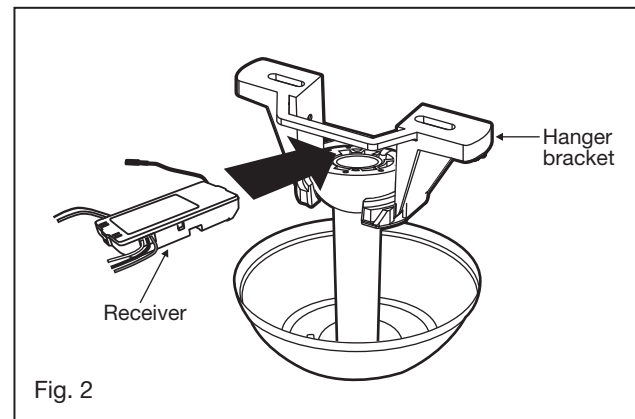
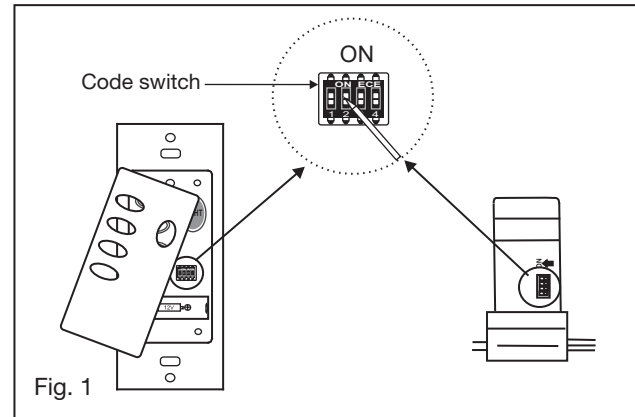


ELECTRICAL CONNECTIONS

WARNING:

To avoid possible electrical shock, be sure electricity is turned off at the main fuse or breaker box before wiring.

- 1 Follow the steps below to connect the fan to your household wiring. Use the wire connecting nuts supplied with your fan. Secure the connectors with electrical tape. Make sure there are no loose wire strands or connections.
- 2 The dip switches on the receiver unit are covered with a rubber cover, remove the rubber cover and then place back after making any changes to the dip switches.
- 3 **NOTE:** The Remote Control System is equipped with 16 possible frequency combinations to prevent interference from or with other remote control units. The frequency switches on your receiver and transmitter have been preset at the factory. Please recheck to make sure the switches on transmitter and receiver are set to the same position. Please recheck to make sure the switches on transmitter and receiver are set to the same position, any combination of settings will operate the fan as long as the transmitter and receiver are set to the same position. (Fig. 1)
- 4 Insert the receiver into the ceiling mounting bracket with the flat side of the receiver facing the ceiling. (Fig. 2) For best performance, make sure the Black Antenna, on the end of the receiver, remains extended and not tangled with any of the electrical wires.



5

Motor to Receiver Electrical Connections: (Fig. 3) Connect the black wire from the fan to the black wire marked "TO MOTOR L" on the receiver. Connect the white wire from the fan to the white wire marked "TO MOTOR N" on the receiver. Connect the blue wire from the fan to the blue wire marked "FOR LIGHT" on the receiver. Secure all the wire connections with the plastic wire nuts provided.

6

Receiver to House Supply Wires Electrical Connections: (Fig. 3) Connect the black (hot) wire from the ceiling to the black wire marked "AC in L" from the receiver. Connect the white (neutral) wire from the ceiling to the white wire marked "AC in N" from the Receiver. Secure the wire connections with the plastic wire nuts provided.

7

If your outlet box has a ground wire (green or bare copper) connect it to the fan ground wires; otherwise connect the hanging bracket ground wire to the mounting bracket. Secure the wire connection with a plastic nut provided. After connecting the wires, spread them apart so that the green and white wires are on one side of the outlet box and black and blue wires are on the other side. Carefully tuck the wire connections up into the outlet box. (Fig. 3)

Note:

Fan must be installed at a maximum distance of 30 feet from the remote transmitter for optimal signal transmission between the transmitter and the fan's receiving unit.

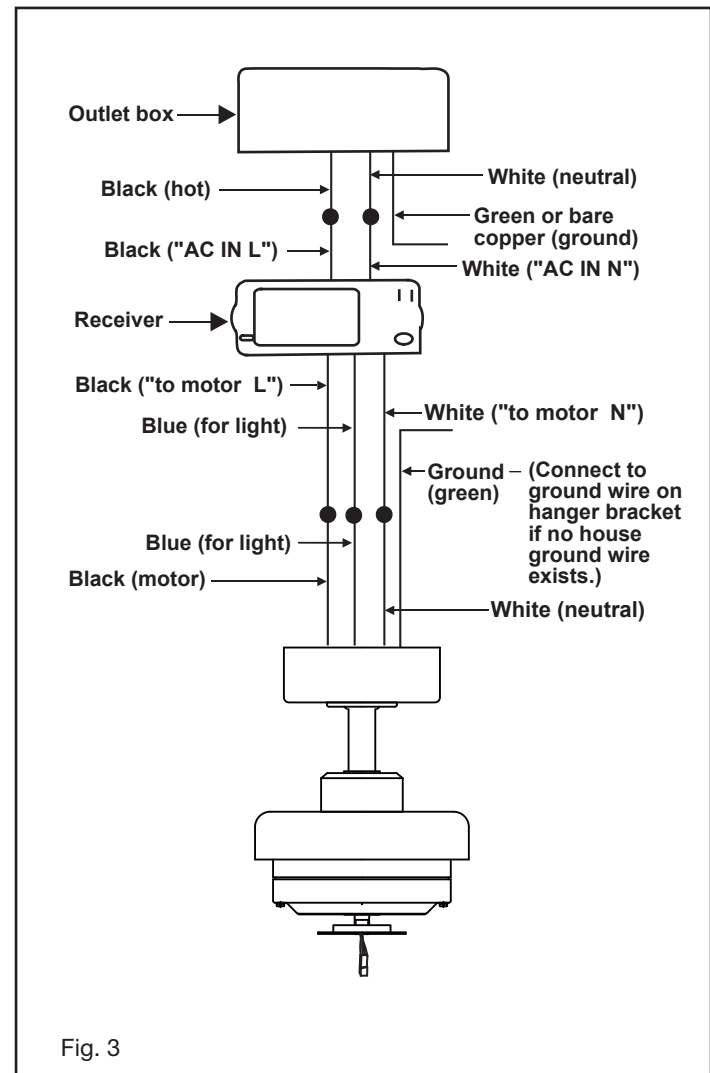
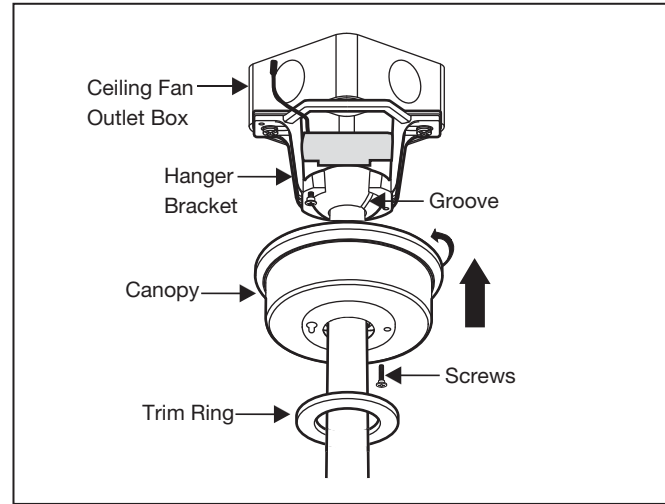


Fig. 3

FINISHING THE INSTALLATION

- 1 Tuck connections neatly into ceiling outlet box.
- 2 Slide the canopy up to mounting bracket and place the key hole on the trim ring the screw on the mounting bracket, turn canopy until it locks in place at the narrow section of the key holes.
- 3 Align the circular hole on canopy with the remaining hole on the mounting bracket, secure by tightening the two set screws.

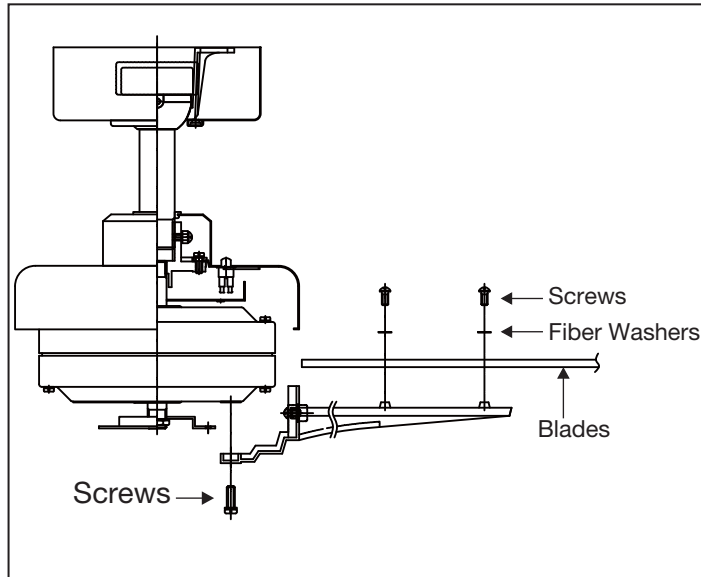
NOTE: Adjust the canopy screws as necessary until the canopy and trim ring are snug.



WARNING:

Make sure the hook on the hanging bracket properly sits in the groove in the hanger ball before attaching the canopy to the bracket by turning the housing until it drops into place.

INSTALLING THE BLADES



NOTE: Remove any rubber supports that are installed for shipping.

- 1 Place Fiber washer on screw. Insert this assembly through the blade and start the screw into the blade arm. Repeat this procedure without tightening the screw until all 3 screws have been started into the blade arm.
- 2 Tighten each screw starting with center screw.
- 3 Fasten blade assembly to motor with provided screws and lockwashers. Repeat procedure for remaining blades. Make sure screws are **TIGHT!** Loose motor screws can contribute to unnecessary hum during operation.

NOTE:
Cordless power screwdrivers are **NOT** recommended, as they usually strip the heads of the screws and usually will not fully compress the lock washers on the motor screws. Use a large flat blade screwdriver for final tightening to fully compress the washers. This will help ensure proper alignment of the blades and noise-free, wobble-free running.

INSTALLING THE MONTING PLATE

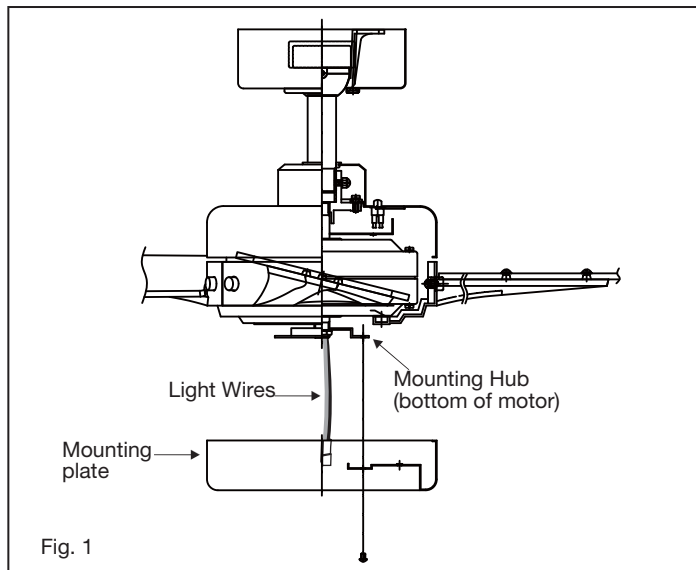


Fig. 1

NOTE: Be sure the power is off before installing.

- 1 Remove one of the three screws on the mounting hub located on the fan motor. Loosen the other 2 screws. (Do not remove) (Fig. 1)
- 2 Pass the light wires through the center hole of the mounting plate.
- 3 Place the key holes on the mounting plate over the 2 screws previously loosened, turn the mounting plate until it locks in place at the narrow section of the key holes. Secure by tightening the 2 screws previously loosened and the one previously removed.

INSTALLING THE LED ASSEMBLY AND GLASS SHADE

NOTE: Be sure the power is off before installing.

- 1 Remove one of the three screws on the mounting plate located on the fan motor. Loosen the other 2 screws. (Do not remove) (Fig. 2)
- 2 While holding the LED assembly under your fan, make the polarized plug connections: (Fig. 2)
 - Red to white
 - Black to black
- 3 Tuck connections neatly into mounting plate. Place the key holes on the LED assembly over the 2 screws previously loosened, turn the LED assembly until it locks in place at the narrow section of the key holes. Secure by tightening the 2 screws previously loosened and the one previously removed.
- 4 Raise the glass shade against the LED assembly and turn clockwise until snug, DO NOT OVERTIGHTEN.
- 5 Restore power and your LED assembly is ready for operation.

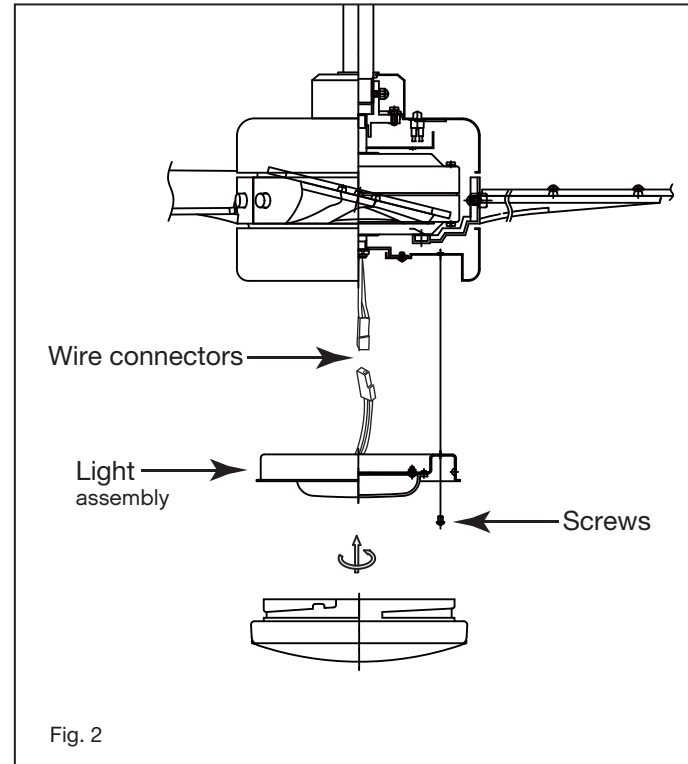
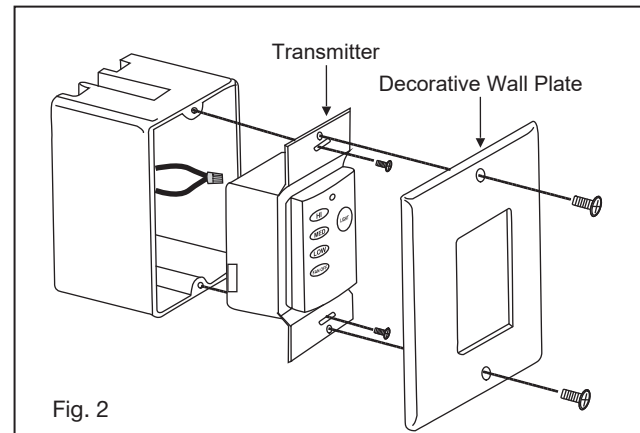
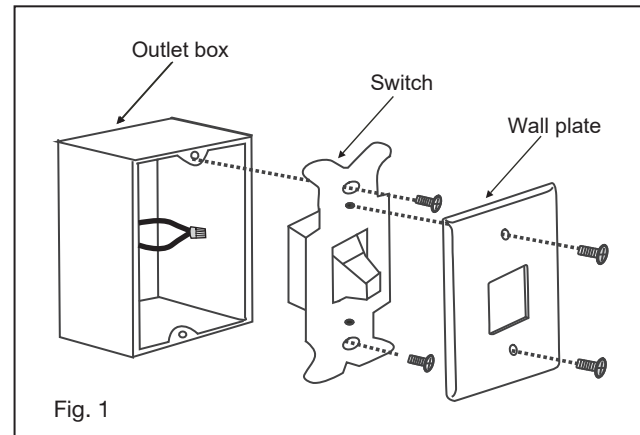


Fig. 2

INSTALLING THE WALL TRANSMITTER

REMEMBER to turn off the power before you begin.

- 1 Remove the existing wall plate and the old switch from the wall outlet box. Wire nut the BLACK leads (hot) together and push back inside the outlet box. (Fig. 1)
- 2 Install the wall transmitter on the existing wall outlet box using the screws provided. Attach the wall plate with the mounting screws to finish the installation. (Fig. 2)

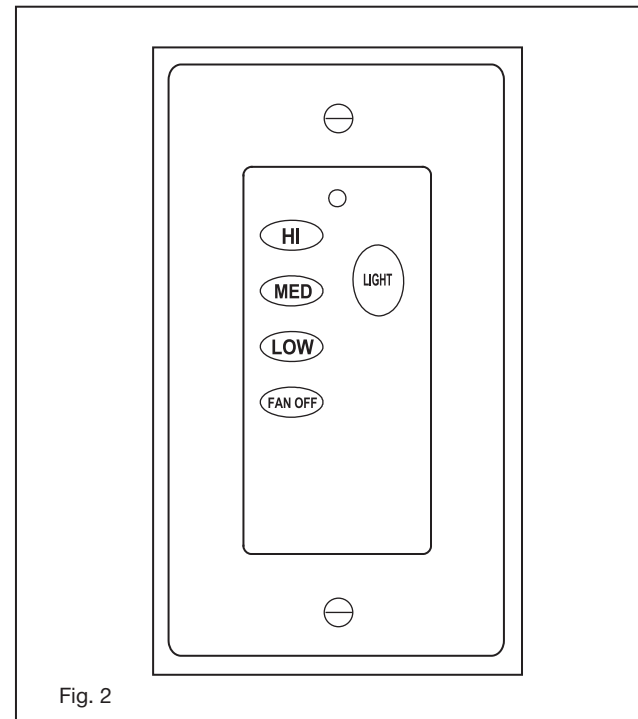
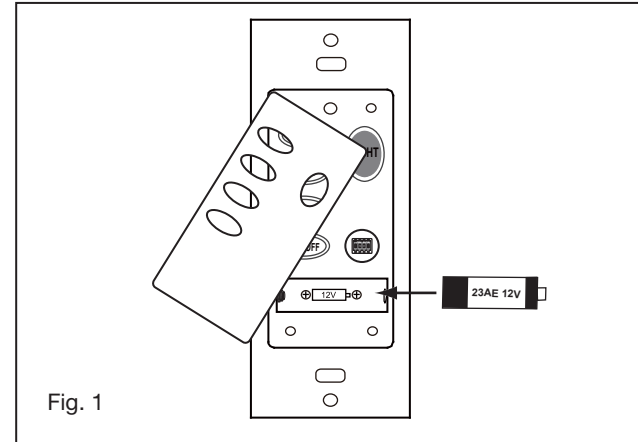


OPERATION

- 1 Restore power to ceiling fan and test for proper operation.
- 2 Remove the face plate of the Wall Switch by lifting at the top and then insert the supplied 12V battery. Duracell MN21/Eveready A23/GP 23A all 12V. (Fig. 1)
- 3 "LO, MED, HI" buttons:
These three buttons are used to set the fan speed as follows:
LO= Low speed
MED= Medium speed
HI= High speed
- 4 "FAN OFF" button:
This button turns the fan off.
- 5 The "LIGHT" button are controlled by pressing the light button. Tap button quickly to turn light off or on. Push the button once and release to turn the light on to full brightness. Hold the button down to increase or decrease light brightness. Release the button at the desired light brightness and that setting will be remembered the next time the light is turned on. The pre-set brightness can be changed by holding down the light button again until the new desired brightness is reached.
- 6 Range of the transmitter is approximately 25 ft. A new alkaline battery will typically give range of 35 ft. or more.

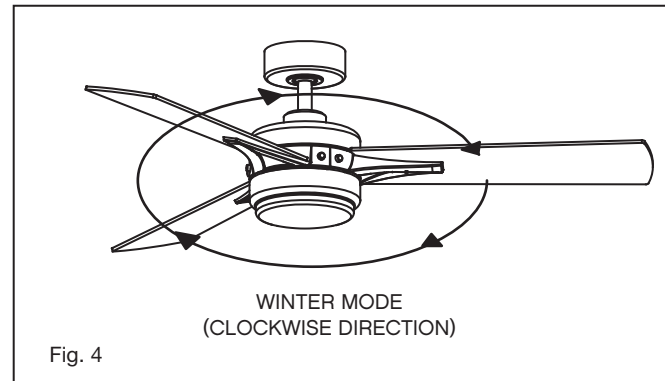
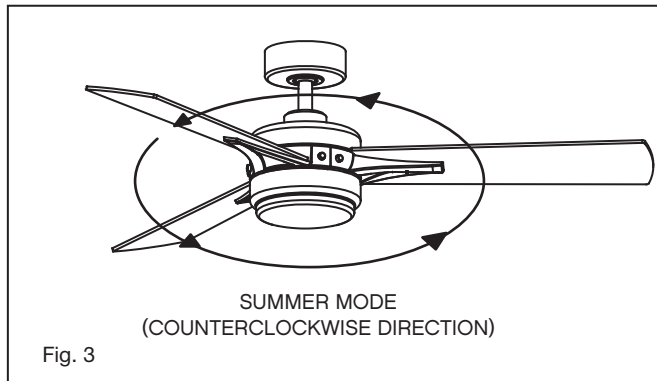
NOTE:

If power is lost to the fan receiver, the memory will be lost and all settings will return to the default.



Summer Mode and Winter Mode Operation

- 7 **IMPORTANT:** To prevent damage or cause injury, be sure that fan is switched to off and blades have stopped moving completely before attempting to change direction of rotation.
- 8 The reverse switch is located on the top of the motor housing. Slide the switch to the right for winter mode operation. Slide the switch to the left for summer mode operation. **Make sure switch is not stuck between forward and reverse positions.**
- 9 Summer Mode (forward):
A DOWNWARD airflow creates a cooling effect as shown in Figure 3. This allows you to set your air conditioner on a warmer setting without affecting your comfort.
- 10 Winter Mode (Reverse):
An UPWARD airflow moves warmer air off the ceiling area as shown in Figure 4. This allows you to set your heating unit on a cooler setting without affecting your comfort.



CARE AND CLEANING

Periodically it may be necessary to re-tighten blade to blade arm screws or blade arm to motor screws to prevent clicking or humming sound during operation. This is especially true in climates with broad temperature and humidity ranges.

When dusting the blades, you must support the blade to prevent bending - no pressure should be applied to the blades. If you experience any flaws in the operation of your fan, please check the following points.

TROUBLESHOOTING

CAUTION:

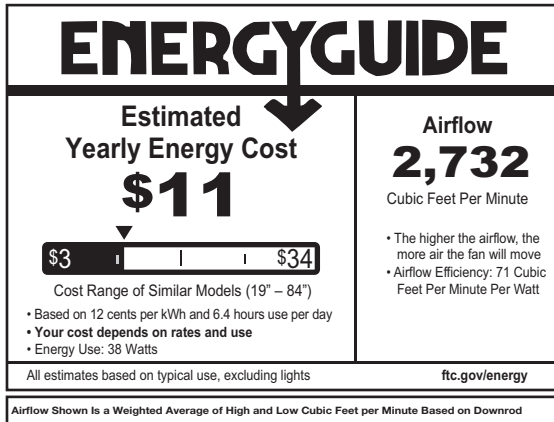
Switch off power supply before carrying out any of these checks.

PROBLEM	SOLUTION
FAN WILL NOT START	<ol style="list-style-type: none">1. Check circuit fuses or breakers.2. Check wall control LED indicator light. If LED is not illuminated when pushing a button, it is not transmitting a signal. Please check power to wall control/circuit breaker and all electrical connections.3. Assure there are no more than 2 fans operating on a circuit through the wall control. Assure that there are no more than 12 fans operating on a circuit through an on/off wall switch or a breaker (not through a wall control).4. Assure that the fan is within range of the WiFi (150 ft.) or wall control (30 ft.).
FAN SOUNDS NOISY	<ol style="list-style-type: none">1. Allow a 24-hour "breaking-in" period. Most noise associated with a new fan will disappear during this time.2. Make sure all motor housing screws are securely fastened.3. Make sure the screws that attach the fan blade to the fan are tight.4. Make sure your ceiling box is secure and rubber isolator pads are used between the mounting bracket and outlet box.
FAN WOBBLER	<ol style="list-style-type: none">1. Check that all blade and blade arm screws are secure.2. If the blade wobble is still noticeable, interchanging two adjacent (side by side) blades can redistribute the weight and possibly result in smoother operation.3. Check to assure all dowrods to motor hardware and/or hanger ball are tight.4. Make sure ceiling box is secure.

ENERGY GUIDE

SPECIFICATIONS

AVERAGE PERFORMANCE AND ENERGY INFORMATION



PERFORMANCE SPECIFICATIONS	STANDARD	
	HIGH SPEED	LOW SPEED
Airflow (CFM)	3604	1745
Energy Use (Watts)	56.7	12.8
Airflow Efficiency (CFM/W)	64	136
Energy Costs (Yearly)	\$11	\$1
Amps	0.48	0.30
RPMs	190	88

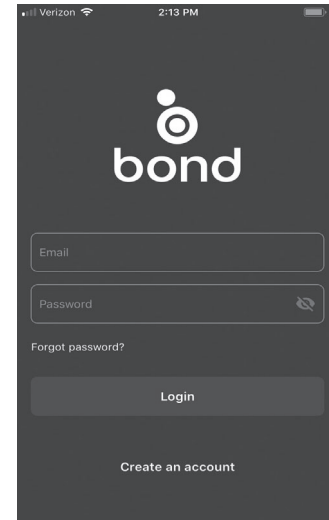
SMART BY BOND

HINKLEY SMART FAN OPTIONS (SOLD SEPARATELY):

In addition to the included wall control, you can control your Hinkley fan through the Bond app using the smart technology accessory controls SOLD SEPARATELY.

- To use the app, download it for free from the App Store or Google Play.
- Open the app to create your account. You can also login with your Facebook or Google account.
- Next, set up a WiFi connection. You will need the SSID and WiFi password for the network you want to connect to.
- You will receive a prompt to choose the finish of your fan and name your fan device.
- The app will walk you through the main screen and show you how to change fan speeds, dim the light, set timers or utilize breeze mode.

NOTE: Maximum of 2 fans can operate on a circuit through the wall control. Maximum of 12 fans can operate on a circuit through an on/off switch or breaker when utilizing the app for the fan control (without the wall control in the circuit).



<https://bondhome.io/app>

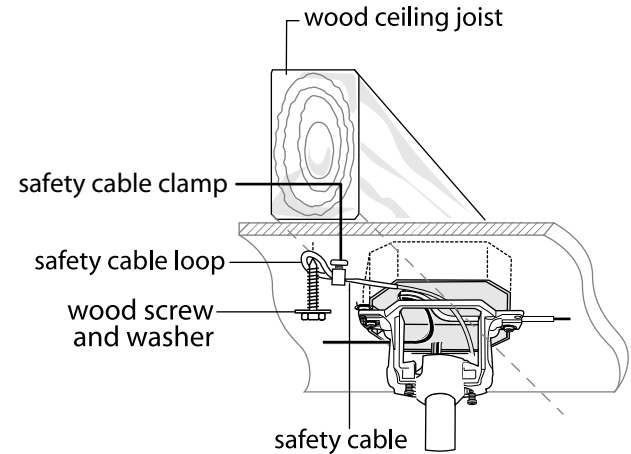
HINKLEY IS PROUD TO PROVIDE YOU WITH CEILING FAN PRODUCTS THAT ENHANCE YOUR SPACE WITH COMFORT, PURPOSE AND STYLE. AS A FAMILY COMPANY, WE ARE COMMITTED TO DESIGN, PERFORMANCE AND QUALITY, AND WHAT'S IMPORTANT TO YOU IS PARAMOUNT TO US.

FOR A COMPLETE ASSORTMENT OF OUR PRODUCTS AND SOURCE BOOKS, VISIT HINKLEY.COM.

HINKLEY

INSTALLATION OF SAFETY CABLE SUPPORT

Attach the wood screw and the flat washer to the ceiling joist as shown (do not fully tighten). Slide the cable clamp onto the safety cable from the fan. Loop the safety cable around the wood screw that was just attached to ceiling joist. Feed the end of the cable into the clamp and pull as much cable through as possible. Firmly tighten screw in the clamp. Cut off excess cable.



HINKLEY

GLOBAL HEADQUARTERS

33000 Pin Oak Parkway | Avon Lake, Ohio 44012

T (440) 653 5500 | F (440) 653 5555 | hinkley.com

HINKLEY

44" VENTUS™

VENTILADOR LED INTERIOR



VENTILADOR DE TECHO MANUAL DE
INSTRUCCIONES

QUEREMOS QUE AMES A TU NUEVO VENTILADOR

ASÍ QUE ESTAMOS AQUÍ SI TIENE UNA PREGUNTA,
NECESITA AYUDA O QUIERE HABLAR SOBRE NUESTROS
PRODUCTOS. ENVÍE SUGERENCIAS NUESTRO CAMINO
TAMBIÉN: SIEMPRE ESTAMOS BUSCANDO HACER QUE
SU EXPERIENCIA CON HINKLEY SEA POSITIVA.

> **SERVICE@HINKLEY.COM**

> **800.HINKLEY**

> **VAMOS A ESE ESTILO**
HINKLEY@HINKLEY #HINKLEYSTYLE

Este manual contiene instrucciones completas para la
instalación y operación de este ventilador. Ha sido
diseñado para hacer que el proceso de instalación sea
lo más fácil posible. Si no está familiarizado o no se
siente cómodo con el cableado, comuníquese con un
electricista calificado. Si necesita asistencia adicional o
tiene alguna pregunta, comuníquese con nosotros.

Para obtener información sobre la garantía, visite hinkley.com.

TABLA DE CONTENIDO

02	INSTRUCCIONES GENERALES DE INSTALACIÓN Y OPERACIÓN	11	INSTALANDO LA PLACA DE MONTAJE
03	PRECAUCIONES IMPORTANTES DE SEGURIDAD	12	INSTALANDO EL KIT DE LUZ Y LA SOMBRA DE CRISTAL
03	HERRAMIENTAS Y MATERIALES REQUERIDOS	13	INSTALANDO EL TRANSMISOR DE PARED
04	DESEMBALAJE TU VENTILADOR	14	OPERACIÓN
05	PREPARACIÓN	16	CUIDADO Y LIMPIEZA
05	INSTALANDO EL SOPORTE	16	SOLUCIÓN DE PROBLEMAS
06	COLGANTECOLGANDO EL VENTILADOR	17	GUÍA DE ENERGÍA
08	CONEXIONES ELÉCTRICAS	17	ESPECIFICACIONES
10	ACABADO DE LA INSTALACIÓN	17	INTELIGENTE POR BONO
11	ACCESORIO DE HOJA		

ADVERTENCIA:

Lea y siga estas instrucciones cuidadosamente y tenga en cuenta todas las advertencias que se muestran a lo largo de

INSTRUCCIONES GENERALES DE INSTALACIÓN Y OPERACIÓN

- 1 Para garantizar el éxito de la instalación, asegúrese de leer las instrucciones y revisar los diagramas a fondo antes de comenzar.
- 2 Para evitar posibles descargas eléctricas, asegúrese de que la electricidad esté apagada en la caja de alimentación principal antes de realizar el cableado. Todas las conexiones eléctricas deben realizarse de acuerdo con los códigos, ordenanzas locales y / o el Código Eléctrico Nacional. Si no está familiarizado con los métodos de instalación de cableado y productos eléctricos, asegure los servicios de un electricista calificado y con licencia, así como de alguien que pueda verificar la resistencia de los miembros del techo de apoyo y realizar las instalaciones y conexiones adecuadas.
- 3 **ADVERTENCIA:** Para reducir el riesgo de incendio, descarga eléctrica u otras lesiones personales, monte el ventilador solo en una caja de salida o en un sistema de soporte marcado como aceptable para un soporte de ventilador de 35 lb (15.9 kg) o menos y use los tornillos de montaje provistos con la caja de salida. La mayoría de las cajas de salida comúnmente utilizadas para el soporte de accesorios de iluminación no son aceptables para el soporte del ventilador y pueden necesitar ser reemplazadas. Consulte a un electricista calificado si tiene dudas.
- 4 Asegúrese de que su sitio de instalación no permita que las aspas del ventilador giratorio entren en contacto con ningún objeto. Las cuchillas deben estar a un mínimo de 7 pies del piso.
- 5 Las cuchillas deben colocarse después de que la carcasa del motor esté colgada y colocada. La carcasa del motor del ventilador debe mantenerse en la caja hasta que esté lista para ser instalada para proteger su acabado. Si está instalando más de un ventilador de techo, asegúrese de no mezclar los conjuntos de aspas del ventilador, ya que cada aspa forma parte de un conjunto ponderado.
- 6 Después de hacer las conexiones eléctricas, los conductores empalmados deben girarse hacia arriba y empujarse con cuidado hacia la caja de salida. Los cables deben separarse con el conductor común y el conductor de tierra en un lado de la caja de salida, y el Cables "CALIENTES" en el otro lado.
- 7 Los diagramas eléctricos son solo de referencia. Los kits de luces que no están empacados con el ventilador deben estar en la lista UL y deben instalarse según las instrucciones de instalación del kit de luces.
- 8 Una vez que el ventilador esté completamente instalado, verifique que todas las conexiones estén seguras para evitar que el ventilador se caiga y / o cause daños o lesiones.
- 9 Se puede hacer que el ventilador funcione inmediatamente después de la instalación: los cojinetes están adecuadamente cargados de grasa para que, en condiciones normales, no sea necesaria una mayor lubricación durante la vida útil del ventilador.
- 10 Para operar la función de retroceso en este ventilador, presione el botón de retroceso mientras el ventilador está funcionando.

PRECAUCIONES IMPORTANTES DE SEGURIDAD

ADVERTENCIAS:

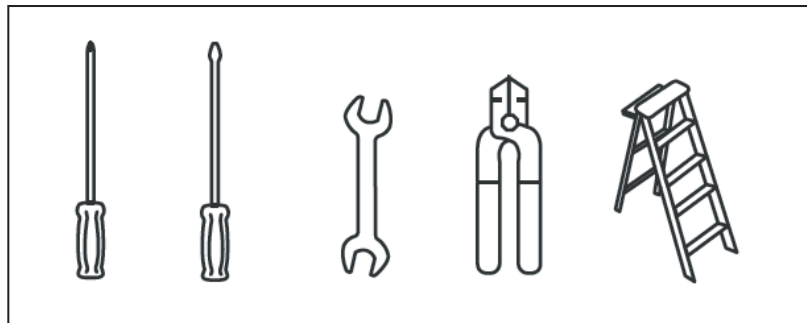
- Desconecte la energía quitando el fusible o apagando el interruptor de circuito antes de instalar el ventilador y / o la iluminación opcional.
- Apoyo directo desde la estructura del edificio.
- Para reducir el riesgo de incendio, descarga eléctrica o lesiones personales, monte en la caja de salida marcada como "aceptable para soporte del ventilador" y use los tornillos de montaje provistos con la caja de salida. La mayoría de las cajas de salida comúnmente utilizadas para el soporte de accesorios de iluminación no son aceptables para el soporte del ventilador y pueden necesitar ser reemplazadas. Consulte a un electricista calificado si tiene dudas.
- No utilice un atenuador de luz incandescente. No utilice este ventilador con ningún dispositivo de control de velocidad del ventilador de tipo transformador. To reduce the risk of personal injury, do not bend the blade arms when installing them, balancing the blades or cleaning the fan.
- No inserte ningún objeto (s) entre las aspas giratorias del ventilador.

NOTA:

Las precauciones, salvaguardas e instrucciones importantes que aparecen en este manual no están destinadas a cubrir todas las condiciones y situaciones posibles que puedan ocurrir. Debe entenderse que el sentido común, la precaución y el cuidado son factores que no se pueden incorporar a este producto. Estos factores deben ser proporcionados por la (s) persona (s) que instalan, cuidan y operan la unidad.

HERRAMIENTAS Y MATERIALES REQUERIDOS

- DESTORNILLADOR PHILLIPS
- DESTORNILLADOR PLANO
- LLAVE O ALICATES
- CORTADOR DE CABLES
- ESCALERA DE TIJERA
- SUMINISTROS DE CABLEADO SEGÚN REQUERIDO POR CÓDIGO ELÉCTRICO



DESEMBALAJE TU VENTILADOR

DESEMBALA EL VENTILADOR Y COMPRUEBA EL CONTENIDO.

- No deseche la caja de cartón. Si alguna vez es necesario reemplazar o reparar la garantía, el ventilador debe devolverse en su embalaje original. Retire todas las piezas y hardware. No coloque la carcasa del motor sobre un costado, o la carcasa decorativa puede moverse, doblarse o dañarse.
- Examinar todas las partes. Debe tener lo siguiente

CONTENIDO DEL PAQUETE VENTUS		
1	Juego de cuchillas de 3	BL902844Fxx
2	Soporte colgante	CA900752Fxx
3	Toldo de techo y anillo de ajuste	
4	Montaje de varilla.	DR94014Fxx
5	Cubierta del yugo	YC902852Fxx
6	Ventilador con motor * Retire los soportes de envío de goma alrededor del motor, si corresponde. Guardar los tornillos	x
7	Blade Arm Set de 3	BLI902852Fxx
8	Placa adaptadora	AP902852Fxx
9	Asamblea de 16W LED	E902852
10	Sombra de cristal	GL902852ETCH
11	Receptor + 6 tuercas de cable	RC902844Fxx
12	Control de pared con batería de 12 v	WC902852
13	Bolsa de hardware Hardware de montaje de soporte (tornillos para madera, tornillos, arandelas de seguridad, arandelas de estrella, arandelas planas, tuercas de alambre), Tornillos de brazo de hoja a hoja con arandelas de fibra (10), Kit de equilibrio, Hardware de cable de seguridad (tornillo de madera, arandela plana)	
		MH902852Fxx
XX= ACABADO DEL VENTILADOR		

1

2

3

7

6

9

10

11

12

13

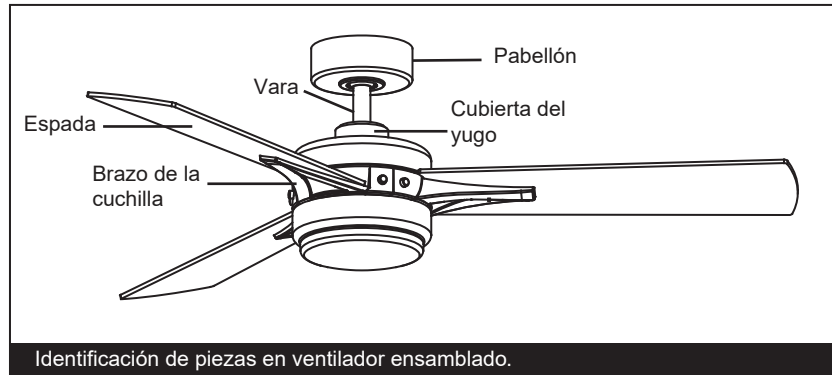
NOTA: El diseño de las piezas que se muestran arriba puede ser ligeramente diferente para su modelo específico de ventilador.

PREPARACIÓN

PREPARACIÓN:

Verifique que tenga todas las piezas antes de comenzar la instalación. Revise el inserto de espuma de cerca por si faltan piezas. Retire el motor de la empaquetadura. Para evitar daños en el acabado, ensamble el motor sobre una superficie acolchada suave o use el inserto de espuma original en la caja del motor.

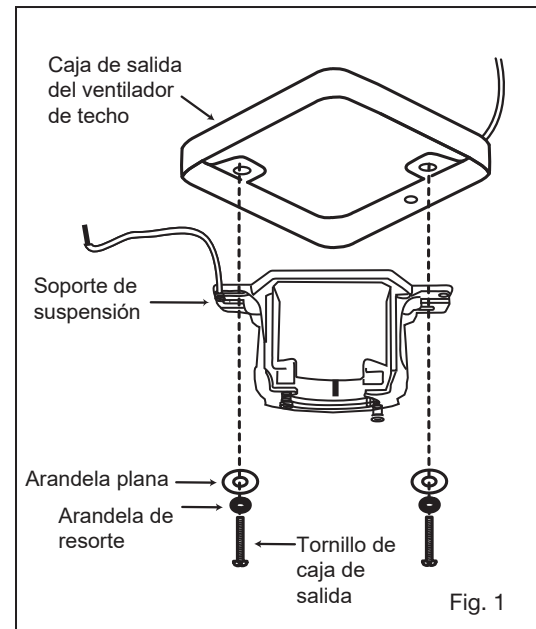
NO COLOQUE LA VIVIENDA DEL MOTOR EN SU LADO ya QUE ESTO PODRÍA RESULTAR EN EL CAMBIO DEL MOTOR EN UNA CUBIERTA DECORATIVA.



INSTALANDO EL SOPORTE COLGANTE

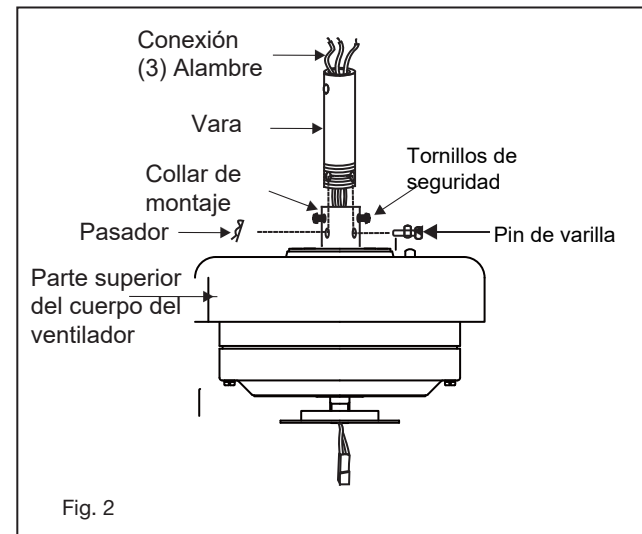
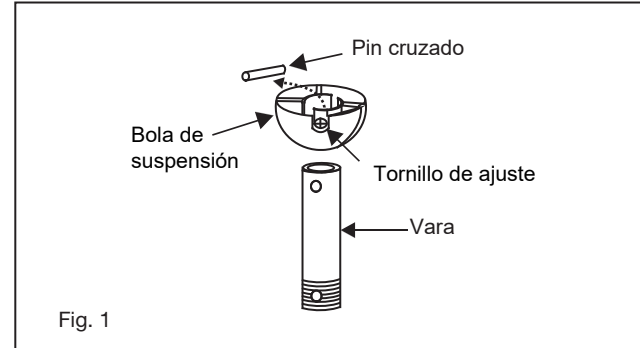
PRECAUCIÓN: Para evitar posibles descargas eléctricas, asegúrese de que la electricidad esté apagada en la caja de alimentación principal antes de realizar el cableado. Todo el cableado debe estar de acuerdo con los códigos eléctricos nacionales y locales y el ventilador de techo debe estar conectado a tierra como precaución contra posibles descargas eléctricas.

- 1 Ubique la viga del techo donde se va a montar el ventilador, asegurándose de que la ubicación esté de acuerdo con los requisitos en la sección de espacio libre mínimo de esta guía. Las viguetas de madera deben ser sólidas y de tamaño adecuado para soportar 35 libras (consulte la página 2, elementos 3 y 4).
- 2 Si aún no está presente, monte una caja de salida listada por UL marcada como "adecuada para soporte del ventilador" siguiendo las instrucciones proporcionadas con la caja de salida. La caja de salida debe poder soportar un mínimo de 35 libras.
- 3 Retire el dosel del soporte de suspensión. Retire el anillo de ajuste de bloqueo por giro girando en sentido antihorario. Retire el tornillo del dosel que no tiene ranura para llave en el dosel. Afloje el tornillo con la ranura de la llave y retire la cubierta.
- 4 Fije el soporte colgante a la caja de salida con los tornillos provistos con la caja de salida.



ACCROCHER LE VENTILATEUR

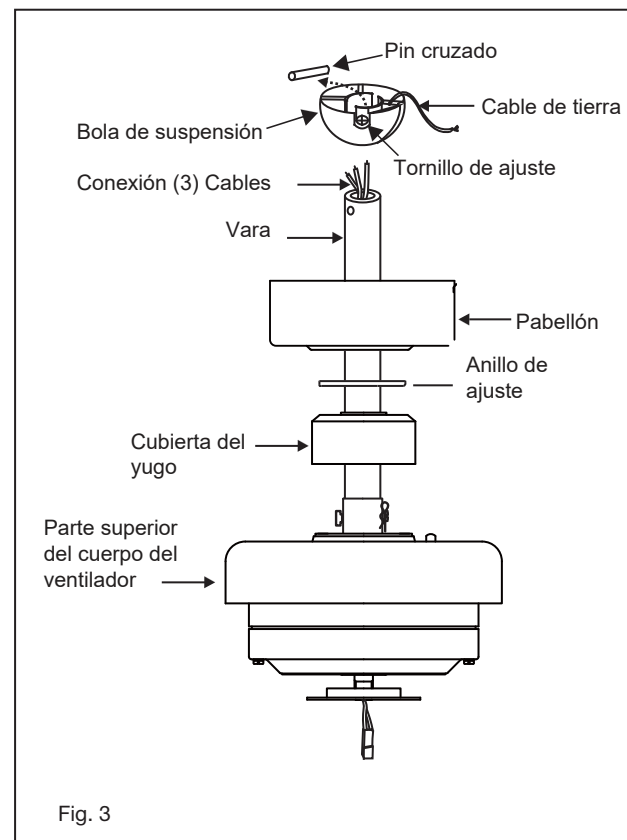
- 1 Retirez la balle de la tige de suspension en desserrant la vis de réglage sur le côté de la balle. Faites glisser la balle vers le bas et retirez l'axe de la balle retirer la balle. (Fig. 1)
- 2 Soutenez soigneusement le corps du ventilateur (moteur) dans son emballage en mousse de polystyrène avec le collier de montage (où les fils sortent) vers le haut.
- 3 Desserrez les deux vis de sécurité et retirez la goupille de la tige de suspension au lieu de la goupille d'attelage de l'accouplement sur le dessus de l'ensemble moteur. (Fig.2)
- 4 Faites passer soigneusement les fils électriques du ventilateur à travers la tige de suspension. Vissez la tige de suspension dans le coupleur jusqu'à ce que les trous s'alignent. Insérez la goupille de la tige de suspension dans les trous du collier de montage et de la tige de suspension; cliper la goupille fendue dans le petit trou à l'extrémité de la goupille de la tige pour maintenir la tige en place.
- 5 Serrez les vis de sécurité contre la tige de suspension à l'aide d'un grand tournevis à lame plate pour assurer un ajustement serré contre la tige de suspension. Serrez les écrous contre le collier de montage.



- 1 Deslice la cubierta del yugo, el anillo de ajuste y el dosel sobre la varilla. (Fig. 3)
- 2 Enrosque la bola de suspensión en la varilla, inserte el pasador transversal a través de la varilla y apriete. Apriete el tornillo de fijación.

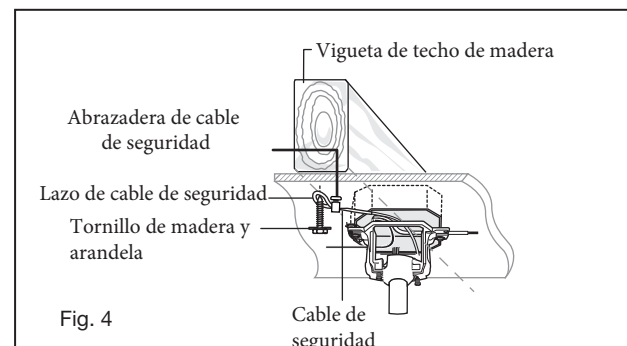
NOTA:
El ventilador tiene 6 pies de cable de conexión en caso de que esté utilizando una varilla de extensión larga.

- 3 Levante la bola / varilla / ventilador en la abertura del soporte de suspensión. **NOTA:** La lengüeta opuesta a la abertura del soporte del colgador debe encajar en la ranura de la bola. (Fig. 4)
- 4 Realice las conexiones de los cables (consulte la sección titulada "Conexiones eléctricas").
- 5 Deslice el dosel hacia arriba y fíjelo al soporte de suspensión con los 4 tornillos provistos.



INSTALACIÓN DE SOPORTE DE CABLE DE SEGURIDAD

Fije el tornillo para madera y la arandela plana a la viga del techo como se muestra (no apriete completamente). Deslice la abrazadera del cable sobre el cable de seguridad desde el ventilador. Pase el cable de seguridad alrededor del tornillo de madera que se acaba de conectar a la viga del techo. Introduzca el extremo del cable en la abrazadera y pase la mayor cantidad de cable posible. Apriete firmemente el tornillo en la abrazadera. Corte el cable sobrante.



CONEXIONES ELÉCTRICAS

ADVERTENCIA:

Para evitar descargas eléctricas, asegúrese de que la electricidad esté cortada en el fusible principal o en la caja del interruptor antes de realizar el cableado.

- 1 Siga los pasos a continuación para conectar el ventilador al cableado de su hogar. Use las tuercas de conexión de cable que se incluyen con su ventilador. Asegure los conectores con cinta aislante. Asegúrese de que no haya hilos o conexiones sueltas.
- 2 Los interruptores DIP de la unidad receptora están cubiertos con una cubierta de goma, retire la cubierta de goma y luego vuelva a colocarlos después de realizar cualquier cambio en los interruptores DIP.
- 3 **NOTA:** El sistema de control remoto está equipado con 16 combinaciones de frecuencia posibles para evitar interferencias de otras unidades de control remoto o con ellas. Los interruptores de frecuencia en su receptor y transmisor han sido preajustados en la fábrica. Vuelva a verificar para asegurarse de que los interruptores del transmisor y el receptor estén en la misma posición, cualquier combinación de configuraciones hará funcionar el ventilador siempre que el transmisor y el receptor estén en la misma posición. (Figura 1)
- 4 Inserte el receptor en el soporte de montaje en el techo con el lado plano del receptor hacia el techo. (Fig. 2) Para un mejor rendimiento, asegúrese de que la Antena Negra, en el extremo del receptor, permanezca extendida y sin enredarse con ninguno de los cables eléctricos.

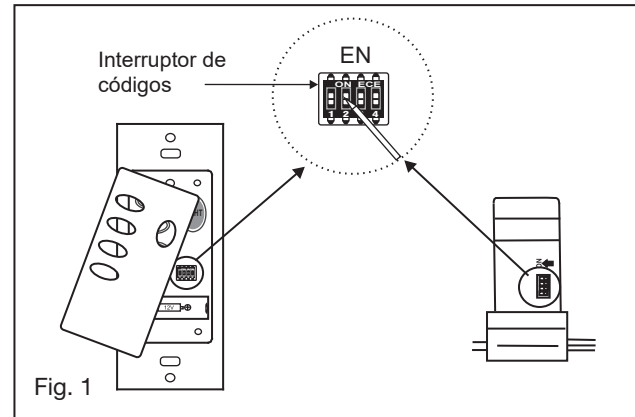


Fig. 1

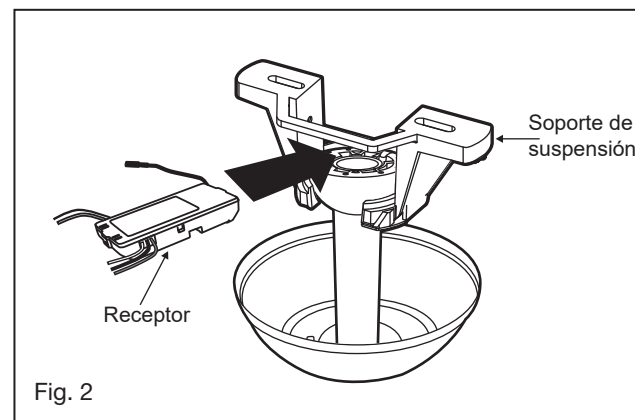
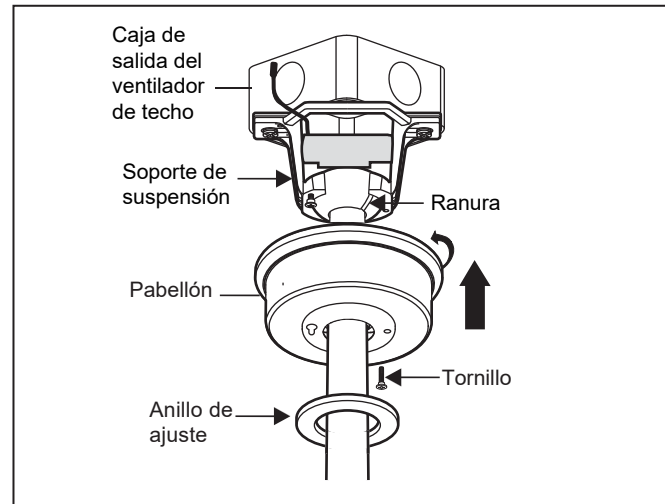


Fig. 2

ACABADO DE LA INSTALACIÓN

- 1 Meta las conexiones cuidadosamente en la caja de salida del techo.
- 2 Deslice la cubierta hacia el soporte de montaje y coloque el orificio de la llave en el anillo de ajuste del tornillo en el soporte de montaje, gire la cubierta hasta que encaje en su lugar en la sección estrecha de los agujeros de la llave.
- 3 Alinee el orificio circular en el dosel con el orificio restante en el soporte de montaje, asegure apretando los dos tornillos de fijación.

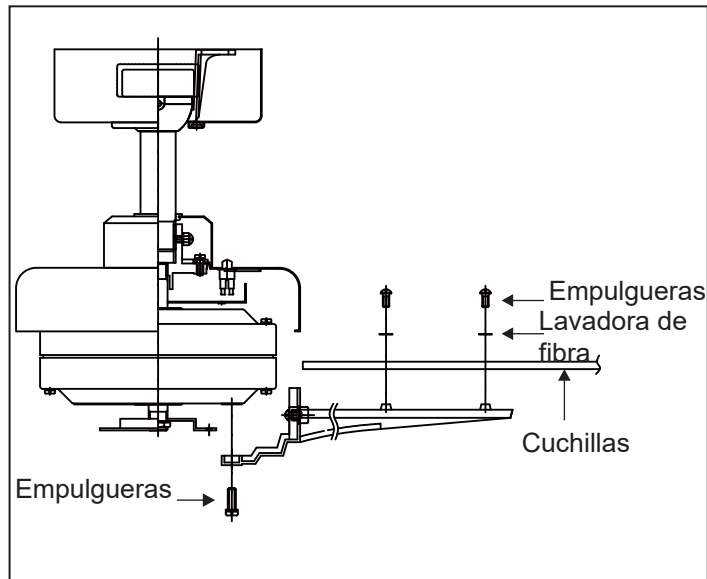
NOTA: Ajuste los tornillos del dosel según sea necesario hasta que el dosel y el anillo de ajuste estén ajustados.



ADVERTENCIA:

Asegúrese de que el gancho en el soporte para colgar se asiente correctamente en la ranura de la bola de suspensión antes de fijar el dosel al soporte girando la carcasa hasta que caiga en su lugar.

INSTALANDO LAS CUCHILLAS



NOTA: Retire cualquier soporte de goma que esté instalado para el envío

- 1 Coloque la arandela de fibra en el tornillo. Inserte este conjunto a través de la cuchilla y comience a atornillar el brazo de la cuchilla. Repita este procedimiento sin apretar el tornillo hasta que los 3 tornillos hayan comenzado en el brazo de la cuchilla.
- 2 Apriete cada tornillo comenzando con el tornillo central.
- 3 Fije el conjunto de la cuchilla al motor con los tornillos y arandelas de seguridad provistos. Repita el procedimiento para las cuchillas restantes. ¡Asegúrese de que los tornillos estén apretados! Los tornillos flojos del motor pueden contribuir al zumbido innecesario durante la operación.

NOTA:

ANO se recomiendan destornilladores eléctricos, ya que generalmente pelan las cabezas de los tornillos y generalmente no comprimen completamente las arandelas de seguridad de los tornillos del motor. Use un destornillador plano grande para apretar por completo y comprimir completamente las arandelas. Esto ayudará a garantizar una alineación adecuada de las cuchillas y un funcionamiento sin ruido ni oscilaciones.

INSTALANDO LA PLACA DE MONTAJE

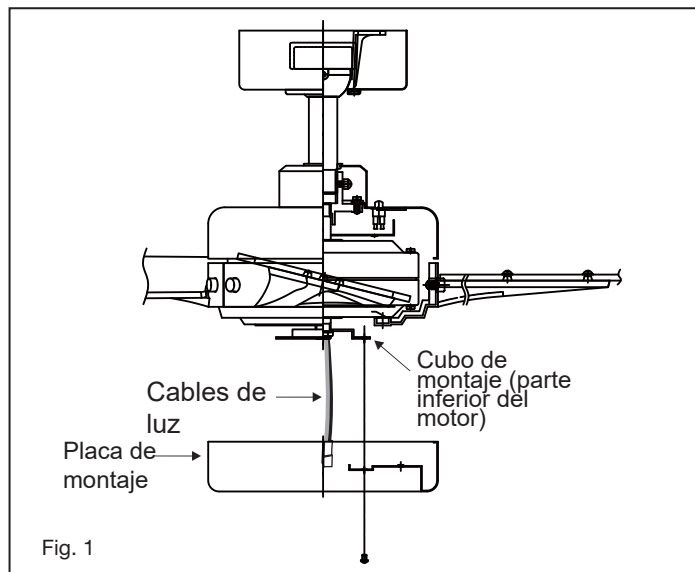


Fig. 1

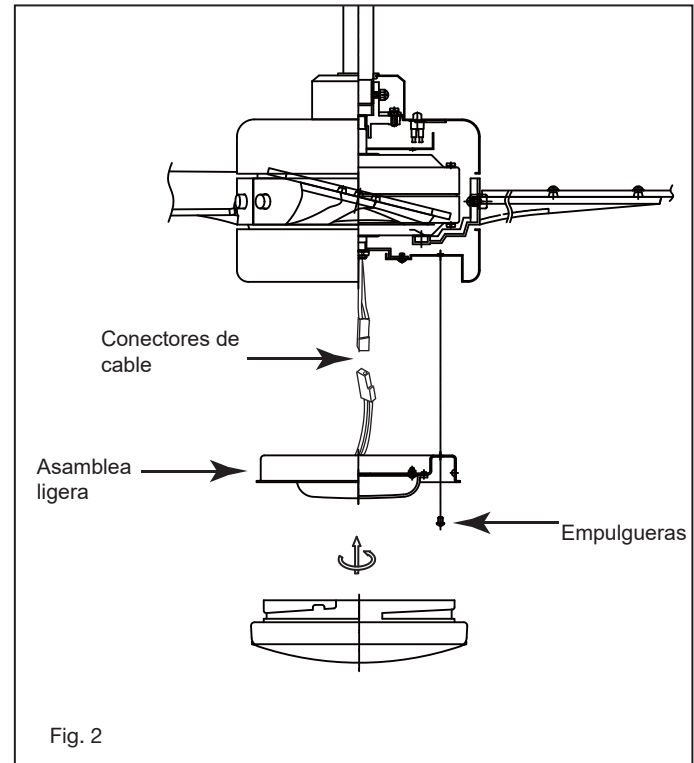
NOTA: Asegúrese de que la energía esté apagada antes de instalar.

- 1 Retire uno de los tres tornillos en el cubo de montaje ubicado en el motor del ventilador. Afloje los otros 2 tornillos. (No quitar) (Fig. 1)
- 2 Pase los cables de luz a través del orificio central de la placa de montaje.
- 3 Coloque los orificios de la llave en la placa de montaje sobre los 2 tornillos previamente aflojados, gire la placa de montaje hasta que encaje en la sección estrecha de los orificios de la llave. Asegure apretando los 2 tornillos previamente aflojados y el que se retiró anteriormente.

INSTALANDO EL CONJUNTO LED Y LA SOMBRA DE VIDRIO

NOTA: Asegúrese de que la energía esté apagada antes de instalar.

- 1 Retire uno de los tres tornillos de la placa de montaje ubicada en el motor del ventilador. Afloje los otros 2 tornillos. (No quitar) (Fig. 2)
- 2 Mientras sostiene el conjunto de LED debajo de su ventilador, realice las conexiones de enchufe polarizado: (Fig. 2)
 - rojo a blanco
 - Negro a negro
- 3 Meta las conexiones cuidadosamente en la placa de montaje. Coloque los orificios de la llave en el ensamblaje del LED sobre los 2 tornillos previamente aflojados, gire el ensamblaje del LED hasta que encaje en la sección estrecha de los orificios de la llave. Asegure apretando los 2 tornillos previamente aflojados y el que se retiró anteriormente.
- 4 Levante la pantalla de vidrio contra el ensamblaje del LED y gírela en el sentido de las agujas del reloj hasta que quede ajustada, NO LA APRIETE DEMASIADO.
- 5 Restaure la energía y su conjunto de LED estará listo para funcionar.



INSTALANDO EL TRANSMISOR DE PARED

RECUERDA apagar la corriente antes de comenzar.

- 1 Retire la placa de pared existente y el interruptor viejo de la caja de salida de pared. Alambre tuerca los cables NEGROS (caliente) juntos y empuje hacia atrás dentro de la caja de salida. (Figura 1)
- 2 Instale el transmisor de pared en la caja de salida de pared existente usando los tornillos provistos. Fije la placa de pared con los tornillos de montaje para terminar la instalación. (Figura 2)

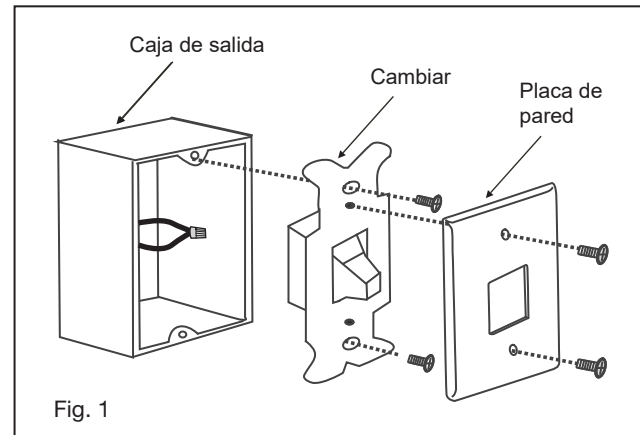


Fig. 1

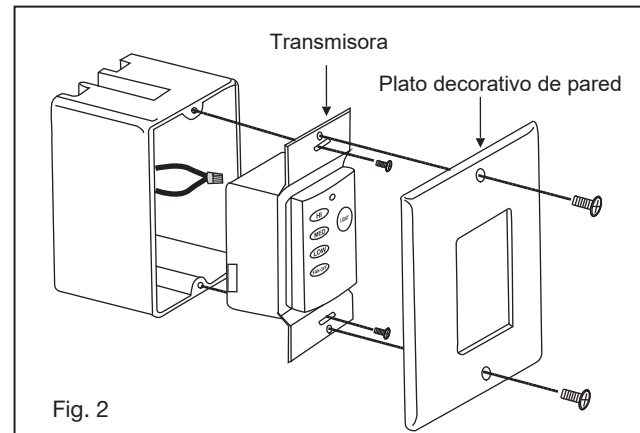


Fig. 2

OPERACIÓN

- 1 Restaure la energía del ventilador de techo y pruebe que funcione correctamente.
- 2 Retire la placa frontal del interruptor de pared levantando la parte superior y luego inserte la batería de 12V suministrada. Duracell MN21 / Eveready A23 / GP 23A todos 12V. (Figura 1)
- 3 Botones "LO, MED, HI":
Estos tres botones se utilizan para configurar la velocidad del ventilador de la siguiente manera:
LO = Velocidad baja
MED = Velocidad media
HI = Velocidad alta
- 4 Botón "VENTILADOR APAGADO":
Este botón apaga el ventilador ff.
- 5 El botón "LUZ" se controla presionando el botón de luz. Toque el botón rápidamente para encender o apagar la luz. Presione el botón una vez y suéltelo para encender la luz a pleno brillo. Mantenga presionado el botón para aumentar o disminuir el brillo de la luz. Suelte el botón con el brillo de luz deseado y esa configuración se recordará la próxima vez que se encienda la luz. El brillo preestablecido puede cambiarse manteniendo presionado el botón de luz nuevamente hasta alcanzar el nuevo brillo deseado.
- 6 El alcance del transmisor es de aproximadamente 25 pies. Una batería alcalina nueva generalmente dará un alcance de 35 pies o más.

NOTA:

Si se pierde la alimentación del receptor del ventilador, la memoria se perderá y Todos los ajustes volverán a los valores predeterminados.

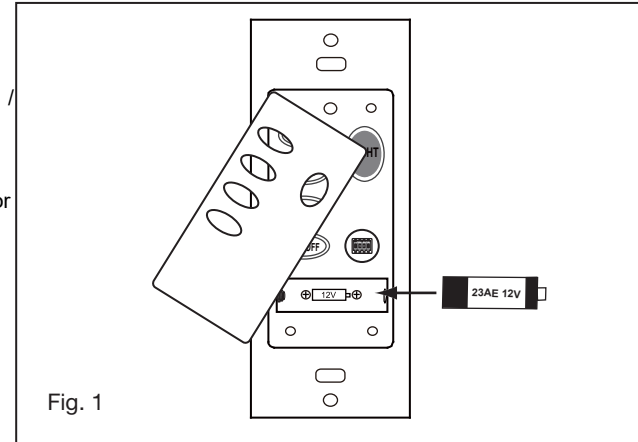


Fig. 1

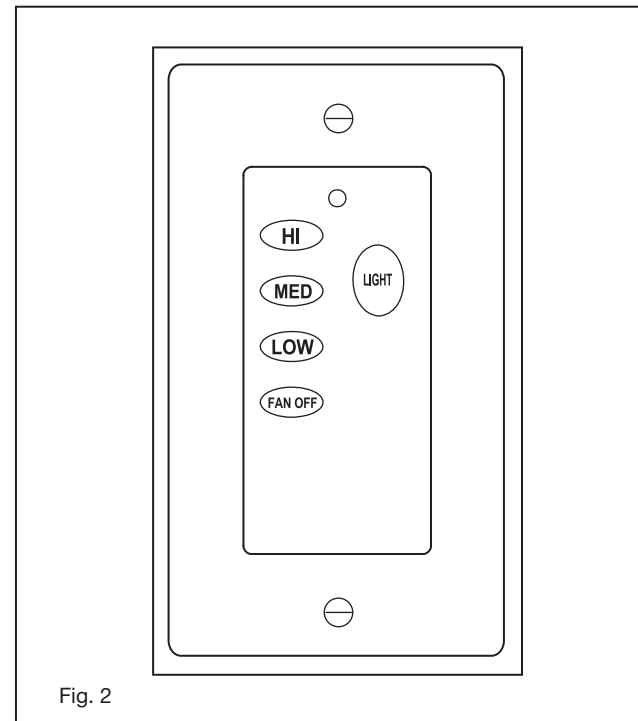
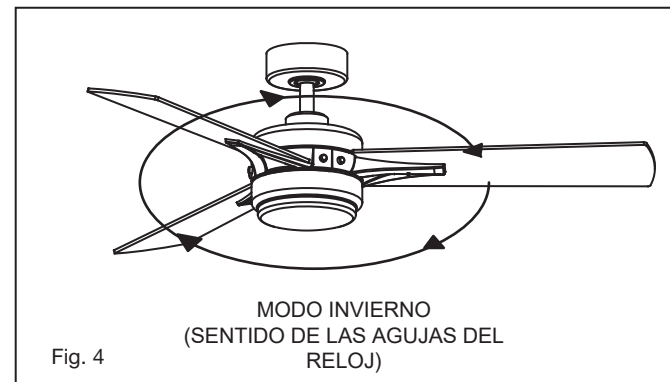
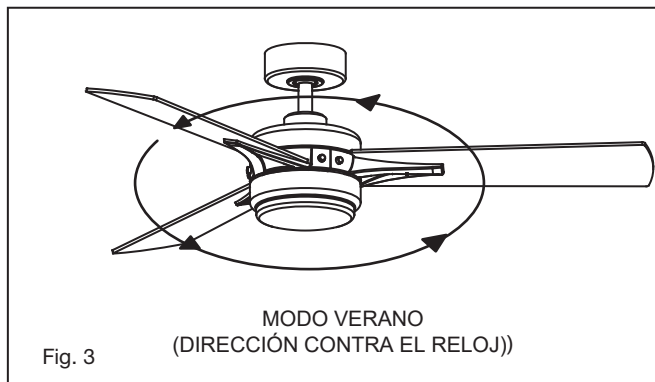


Fig. 2

Modo verano y funcionamiento en modo invierno

- 7 **IMPORTANTE:** Para evitar daños o causar lesiones, asegúrese de que el ventilador esté apagado y las aspas hayan dejado de moverse por completo antes de intentar cambiar el sentido de rotación.
- 8 El interruptor de inversión se encuentra en la parte superior de la carcasa del motor. Deslice el interruptor hacia la derecha para la operación en modo invierno. Deslice el interruptor hacia la izquierda para la operación en modo verano. **Asegúrese de que el interruptor no esté atascado entre las posiciones de avance y retroceso.**
- 9 **Modo de verano (adelante):**
Un flujo de aire HACIA ABAJO crea un efecto de enfriamiento como se muestra en la Figura 3. Esto le permite configurar su aire acondicionado en un ambiente más cálido sin afectar su comodidad.
- 10 **Modo de invierno (reverso):**
Un flujo de aire HACIA ARRIBA mueve el aire más cálido del área del techo como se muestra en la Figura 4. Esto le permite configurar su unidad de calefacción en un lugar más frío sin afectar su comodidad.



CUIDADO Y LIMPIEZA

Periódicamente puede ser necesario volver a apretar los tornillos de la cuchilla al brazo de la cuchilla o del brazo de la cuchilla a los tornillos del motor para evitar que se escuche un clic o un zumbido durante el funcionamiento. Esto es especialmente cierto en climas con amplios rangos de temperatura y humedad.

Cuando desempolve las cuchillas, debe sostener la cuchilla para evitar que se doble; no se debe aplicar presión a las cuchillas. Si experimenta algún defecto en el funcionamiento de su ventilador, verifique los siguientes puntos.

SOLUCIÓN DE PROBLEMAS

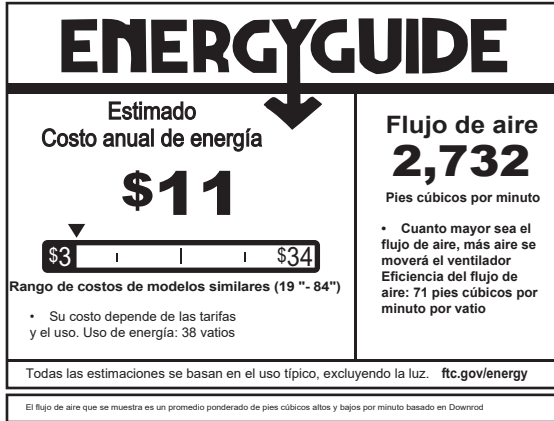
PRECAUCIÓN:

Apague la fuente de alimentación antes de realizar cualquiera de estas comprobaciones

PROBLEMA	SOLUCIÓN
EL VENTILADOR NO ARRENCA	<ol style="list-style-type: none">1. Revise los fusibles o disyuntores del circuito.2. Compruebe la luz indicadora LED del control de pared. Si el LED no se ilumina al presionar un botón, no está transmitiendo una señal. Compruebe la alimentación al control de pared / disyuntor y todas las conexiones eléctricas.3. Asegúrese de que no haya más de 2 ventiladores funcionando en un circuito a través del control de pared. Asegúrese de que no haya más de 12 ventiladores funcionando en un circuito a través de un interruptor de pared encendido / apagado o un interruptor (no a través de un control de pared).4. Asegúrese de que el ventilador esté dentro del alcance del WiFi (150 pies) o del control de pared (30 pies).
VENTILADOR SONIDOS RUIDO	<ol style="list-style-type: none">1. Permita un período de "robo" de 24 horas. La mayor parte del ruido asociado con un nuevo ventilador desaparecerá durante este tiempo.2. Asegúrese de que todos los tornillos de la carcasa del motor estén bien sujetos.3. Asegúrese de que los tornillos que sujetan la aspa del ventilador estén apretados.4. Asegúrese de que su caja de techo esté segura y que se usen almohadillas aislantes de goma entre el soporte de montaje y la caja de salida.
VENTILADORES	<ol style="list-style-type: none">1. Verifique que todos los tornillos de la cuchilla y del brazo de la cuchilla estén seguros.2. Si la oscilación de la cuchilla aún se nota, el intercambio de dos cuchillas adyacentes (una al lado de la otra) puede redistribuir el peso y posiblemente resultar en una operación más suave3. Verifique para asegurarse de que todas las varillas descendentes al hardware del motor y / o la bola de suspensión estén apretadas.4. Asegúrese de que la caja del techo esté segura.

GUÍA DE ENERGÍA

INFORMACIÓN MEDIA DE DESEMPEÑO Y ENERGÍA



ESPECIFICACIONES

ESPECIFICACIONES DE RENDIMIENTO	ESTÁNDAR	
	ALTA VELOCIDAD	BAJA VELOCIDAD
Flujo de aire (CFM)	3604	1745
Energía usada (vatios)	56.7	12.8
Eficiencia de flujo de aire (CFM/W)	64	136
Costos de energía (anual)	\$11	\$1
Amplificadores	0.48	0.30
RPMs	190	88

INTELIGENTE POR BOND

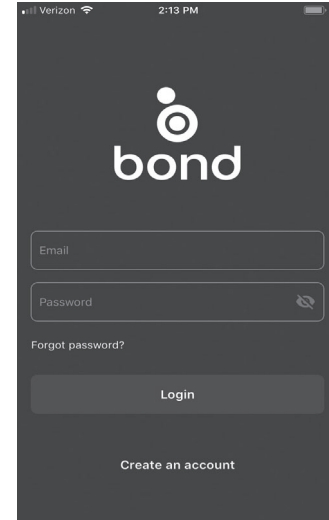
OPCIONES DE VENTILADOR INTELIGENTE HINKLEY

se vende por separado:

Además del control de pared incluido, puede controlar su ventilador Hinkley a través de la aplicación Bond.

- Para usar la aplicación, descárguela de forma gratuita desde App Store o Google Play.
- Abra la aplicación para crear su cuenta. También puede iniciar sesión con su cuenta de Facebook o Google.
- Luego, configure una conexión WiFi. Necesitará el SSID y la contraseña de WiFi para la red a la que desea conectarse.
- Recibirá un mensaje para elegir el acabado de su ventilador y nombrar su dispositivo de ventilador.
- La aplicación lo guiará a través de la pantalla principal y le mostrará cómo cambiar las velocidades de los ventiladores, atenuar la luz, configurar temporizadores o utilizar el modo brisa.

NOTA: Máximo de 2 ventiladores pueden operar en un circuito a través del control de pared. Un máximo de 12 ventiladores pueden operar en un circuito a través de un interruptor de encendido / apagado o interruptor cuando se utiliza la aplicación para el control del ventilador (sin el control de pared en el circuito).



<https://bondhome.io/app>

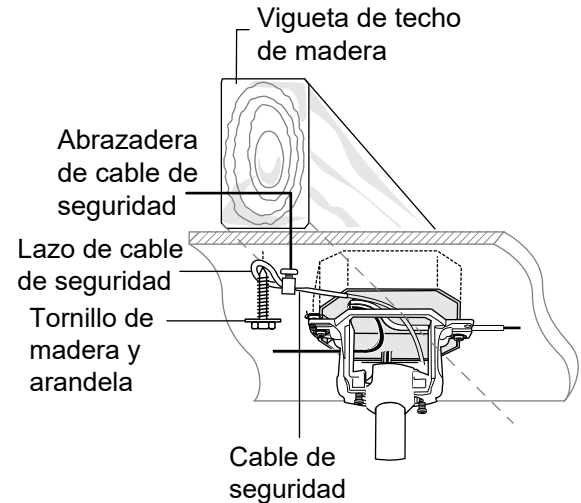
HINKLEY SE ENCUENTRA ORGULLOSO DE PROPORCIONARLE PRODUCTOS PARA VENTILADORES DE TECHO QUE MEJORAN SU ESPACIO CON COMODIDAD, PROPÓSITO Y ESTILO. COMO EMPRESA FAMILIAR, ESTAMOS COMPROMETIDOS CON EL DISEÑO, EL RENDIMIENTO Y LA CALIDAD, Y LO QUE ES IMPORTANTE PARA USTED ES PARAMOUNT PARA NOSOTROS.

PARA UN SURTIDO COMPLETO DE NUESTROS PRODUCTOS Y FUENTES DE LIBROS, VISITA HINKLEY.COM.

HINKLEY

INSTALACIÓN DE SEGURIDAD SOPORTE DE CABLE

Fije el tornillo para madera y la arandela plana a la viga del techo como se muestra (no apriete completamente). Deslice la abrazadera del cable sobre el cable de seguridad desde el ventilador. Pase el cable de seguridad alrededor del tornillo de madera que se acaba de conectar a la viga del techo. Introduzca el extremo del cable en la abrazadera y pase la mayor cantidad de cable posible. Apriete firmemente el tornillo en la abrazadera. Cortar el exceso de cable.



HINKLEY

GLOBAL HEADQUARTERS

33000 Pin Oak Parkway | Avon Lake, Ohio 44012

T (440) 653 5500 | F (440) 653 5555 | hinkley.com

HINKLEY

44" VENTUS™

VENTILATEUR LED INTÉRIEUR



MANUEL D'INSTRUCTIONS POUR
VENTILATEUR DE PLAFOND EN
FRANÇAIS

NOUS VOULONS VOUS AIMER VOTRE NOUVEAU FAN

NOUS SOMMES ICI SI VOUS AVEZ UNE QUESTION, BESOIN D'UNE AIDE OU VOULEZ CHAT SUR NOS PRODUITS. ENVOYER DES SUGGESTIONS NOTRE FAÇON AUSSI - NOUS CHERCHONS TOUJOURS À FAIRE DE VOTRE EXPÉRIENCE AVEC HINKLEY UNE POSITIVE.

> SERVICE@HINKLEY.COM

> [800.HINKLEY](tel:800.HINKLEY)

> [LET'S SEE THAT HINKLEY STYLE @HINKLEY](#)
[#HINKLEYSSTYLE](#)

Ce manuel contient des instructions complètes pour l'installation et le fonctionnement de ce ventilateur. Il a été conçu pour rendre le processus d'installation aussi simple que possible. Si vous n'êtes pas familier ou mal à l'aise avec le câblage, veuillez contacter un électricien qualifié. Si vous avez besoin d'aide supplémentaire ou avez des questions, n'hésitez pas à nous contacter.

Pour des informations sur la garantie, visitez hinkley.com.

TABLE DES MATIÈRES

02	INSTRUCTIONS GÉNÉRALES D'INSTALLATION ET DE FONCTIONNEMENT	11	INSTALLATION DE LA PLAQUE DE MONTAGE
03	PRÉCAUTIONS DE SÉCURITÉ IMPORTANTES	12	INSTALLATION DU KIT D'ÉCLAIRAGE ET DE LA TOILE EN VERRE
03	OUTILS ET MATÉRIAUX REQUIS	13	INSTALLATION DE L'ÉMETTEUR MURAL
04	DÉBALLAGE DE VOTRE VENTILATEUR	14	OPÉRATION
05	PRÉPARATION	16	ENTRETIEN ET NETTOYAGE
05	INSTALLATION DU SUPPORT DE SUSPENSION	16	DÉPANNAGE
06	ACCROCHER LE VENTILATEUR	17	GUIDE ÉNERGÉTIQUE
08	CONNECTIONS ÉLECTRIQUES	17	CARACTÉRISTIQUES
10	FIN DE L'INSTALLATION	17	SMART BY BOND
11	ATTACHEMENT DE LAME		

AVERTISSEMENT:

Lisez et suivez attentivement ces instructions et tenez compte de tous les avertissements affichés tout au long.

INSTRUCTIONS GÉNÉRALES D'INSTALLATION ET DE FONCTIONNEMENT

- 1 Pour assurer le succès de l'installation, assurez-vous de lire les instructions et de lire attentivement les schémas avant de commencer.
- 2 Pour éviter tout choc électrique, assurez-vous que l'électricité est coupée sur le boîtier d'alimentation principal avant le câblage. Toutes les connexions électriques doivent être effectuées conformément aux codes locaux, aux ordonnances et / ou au National Electric Code. Si vous n'êtes pas familier avec les méthodes d'installation du câblage et des produits électriques, faites appel aux services d'un électricien qualifié et agréé ainsi que de quelqu'un qui peut vérifier la résistance des éléments de plafond et effectuer les installations et les connexions appropriées.
- 3 **AVERTISSEMENT:** pour réduire le risque d'incendie, de choc électrique ou d'autres blessures corporelles, montez le ventilateur uniquement sur une boîte de sortie ou un système de support marqué comme acceptable pour un support de ventilateur de 35 lb (15,9 kg) ou moins et utilisez les vis de montage fournies avec la boîte de sortie. La plupart des boîtiers de sortie couramment utilisés pour le support des appareils d'éclairage ne sont pas acceptables pour le support du ventilateur et peuvent devoir être remplacés. Consulter un électricien qualifié en cas de doute.
- 4 Assurez-vous que votre site d'installation ne permettra pas aux pales de ventilateur en rotation d'entrer en contact avec un objet. Les lames doivent être à au moins 7 pieds du sol.
- 5 Les lames doivent être fixées une fois le boîtier du moteur suspendu et en place. Le boîtier du moteur du ventilateur doit être conservé dans le carton jusqu'à ce qu'il soit prêt à être installé pour protéger sa finition. Si vous installez plusieurs ventilateurs de plafond, assurez-vous de ne pas mélanger des ensembles de pales de ventilateur, car chaque pale fait partie d'un ensemble pondéré.
- 6 Après avoir effectué les connexions électriques, les conducteurs épissés doivent être tournés vers le haut et poussés avec précaution vers le haut dans la boîte de sortie. Les fils doivent être écartés avec le conducteur commun et le conducteur de mise à la terre sur un côté de la boîte de sortie, et le Fils "CHAUDS" de l'autre côté.
- 7 Les schémas électriques sont fournis à titre indicatif uniquement. Les kits d'éclairage qui ne sont pas emballés avec le ventilateur doivent être répertoriés UL et doivent être installés conformément aux instructions d'installation du kit d'éclairage.
- 8 Une fois le ventilateur complètement installé, assurez-vous que toutes les connexions sont sécurisées pour empêcher le ventilateur de tomber et / ou de causer des dommages ou des blessures.
- 9 Le ventilateur peut fonctionner immédiatement après l'installation - les roulements sont correctement chargés de graisse de sorte que, dans des conditions normales, une lubrification supplémentaire ne soit pas nécessaire pendant la durée de vie du ventilateur.
- 10 Pour activer la fonction d'inversion sur ce ventilateur, appuyez sur le bouton d'inversion pendant que le ventilateur fonctionne.

PRÉCAUTIONS DE SÉCURITÉ IMPORTANTES

AVERTISSEMENTS:

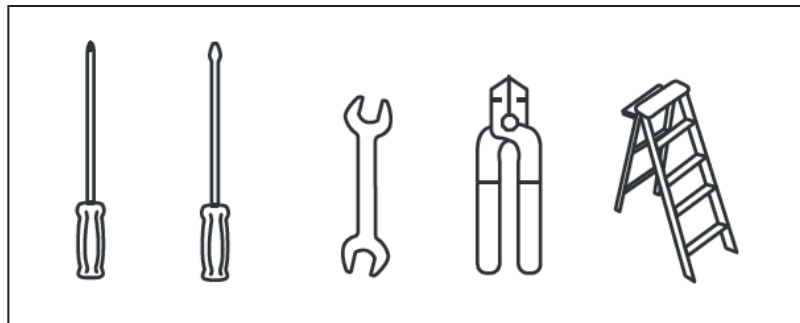
- Coupez l'alimentation en retirant le fusible ou en fermant le disjoncteur avant d'installer le ventilateur et / ou l'éclairage en option.
- Support directement à partir de la structure du bâtiment.
- Pour réduire le risque d'incendie, d'électrocution ou de blessure, montez sur la boîte de sortie marquée "acceptable pour le support du ventilateur" et utilisez les vis de montage fournies avec la boîte de sortie. La plupart des boîtiers de sortie couramment utilisés pour le support des appareils d'éclairage ne sont pas acceptables pour le support du ventilateur et peuvent devoir être remplacés. Consulter un électricien qualifié en cas de doute.
- N'utilisez pas de gradateur de lumière incandescente. N'utilisez pas ce ventilateur avec un dispositif de contrôle de vitesse de ventilateur de type transformateur.
- Pour réduire le risque de blessures corporelles, ne pliez pas les bras des pales lors de leur installation, de l'équilibrage des pales ou du nettoyage du ventilateur.
- N'insérez aucun objet entre les pales du ventilateur en rotation.

REMARQUE:

Les précautions, garanties et instructions importantes figurant dans ce manuel ne sont pas destinées à couvrir toutes les conditions et situations possibles qui peuvent survenir. Il faut comprendre que le bon sens, la prudence et la prudence sont des facteurs qui ne peuvent être intégrés à ce produit. Ces facteurs doivent être fournis par la ou les personnes installant, prenant soin et utilisant l'appareil.

OUTILS ET MATÉRIAUX REQUIS

- TOURNEVIS CRUCIFORME
- TOURNEVIS PLAT
- CLÉ OU PINCE
- COUPE-FIL
- ESCABEAU
- FOURNITURES DE CÂBLAGE
COMME REQUIS PAR LE CODE
ÉLECTRIQUE



DÉBALLAGE DE VOTRE VENTILATEUR

DÉBALLER VOTRE VENTILATEUR ET VÉRIFIER LE CONTENU.

- Ne jetez pas le carton. Si un remplacement ou une réparation sous garantie est nécessaire, le ventilateur doit être retourné dans son emballage d'origine. Retirez toutes les pièces et le matériel. Ne posez pas le boîtier du moteur sur le côté, sinon le boîtier décoratif pourrait se déplacer, être plié ou endommagé.
- Examinez toutes les pièces. Vous devriez avoir les éléments suivants:

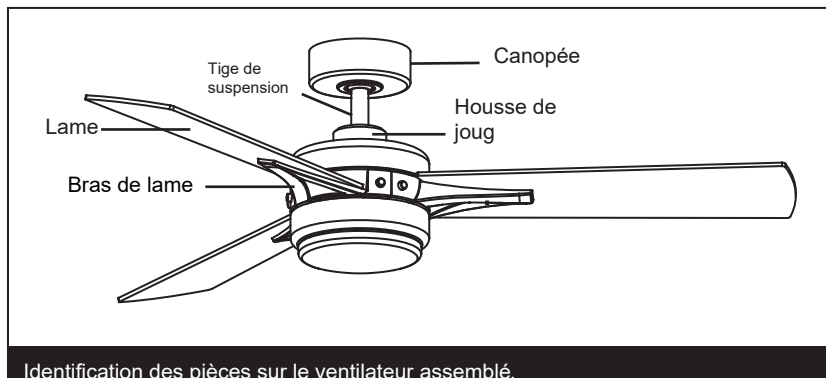
		<h3>CONTENU DU PAQUET VENTUS</h3>	
1	Ensemble de 3 lames	BL902844Fxx	
2	Support de suspension	CA900752Fxx	
3	Auvent de plafond et anneau de garniture		
4	Assemblage de tige de suspension.	DR94014Fxx	
5	Housse de joug	YC902852Fxx	
6	Boîtier de ventilateur avec moteur * Retirez les supports d'expédition en caoutchouc autour du moteur, le cas échéant. Conservez les vis	x	
7	Ensemble de 3 bras de lame	BLI902852Fxx	
8	Plaque d'adaptation	AP902852Fxx	
9	Assemblage LED 16W	E902852	
10	Abat-jour en verre	GL902852ETCH	
11	Récepteur + 6 écrous de fils	RC902844Fxx	
12	Commande murale avec batterie 12 V	WC902852	
13	Sac de matériel Matériel de montage du support (vis à bois, vis, rondelles de blocage, rondelles en étoile, rondelles plates, écrous métalliques), Vis de lame à bras de lame avec rondelles en fibre (10), Kit d'équilibre, Matériel de câble de sécurité (vis à bois, rondelle plate)		MH902852Fxx
REMARQUE: La conception des pièces illustrées ci-dessus peut sembler légèrement différente pour votre modèle de ventilateur spécifique.		XX=FINITION VENTILATEUR	

PRÉPARATION:

PRÉPARATION:

Vérifiez que vous disposez de toutes les pièces avant de commencer l'installation. Vérifiez soigneusement l'insert en mousse pour les pièces manquantes. Retirez le moteur de l'emballage. Pour éviter d'endommager la finition, assemblez le moteur sur une surface rembourrée ou utilisez l'insert en mousse d'origine dans le boîtier du moteur.

NE POSEZ PAS DE LOGEMENT DE MOTEUR SUR LE CÔTÉ, CELA POURRAIT ENTRAÎNER LE DÉPLACEMENT DU MOTEUR DANS LE BOÎTIER DÉCORATIF.



Identification des pièces sur le ventilateur assemblé.

INSTALLATION DU SUPPORT DE SUSPENSION

ATTENTION: pour éviter tout choc électrique, assurez-vous que l'électricité est coupée sur le boîtier d'alimentation principal avant le câblage. Tout le câblage doit être conforme aux codes électriques nationaux et locaux et le ventilateur de plafond doit être mis à la terre par mesure de précaution contre un éventuel choc électrique.

- 1 Localisez la solive de plafond où le ventilateur doit être monté, en étant sûr que l'emplacement est conforme aux exigences de la section de dégagement minimum de ce guide. Les solives en bois doivent être solides et de taille adéquate pour supporter 35 livres (voir page 2, articles 3 et 4).
- 2 Si ce n'est pas déjà fait, montez une boîte de sortie homologuée UL marquée "convenant au support de ventilateur" en suivant les instructions fournies avec la boîte de sortie. La boîte de sortie doit pouvoir supporter un minimum de 35 livres.
- 3 Retirez l'auvent du support de suspension. Retirez l'anneau de garniture à verrouillage par rotation en tournant dans le sens antihoraire. Retirez la vis du capot qui n'a pas de fente pour clé dans le capot. Desserrez la vis avec la fente pour clé et retirez la verrière.
- 4 Fixez le support de suspension au boîtier de sortie à l'aide des vis fournies avec le boîtier de sortie.

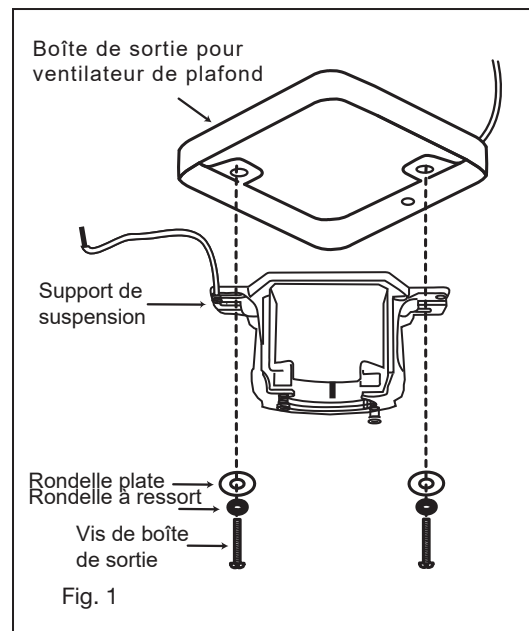
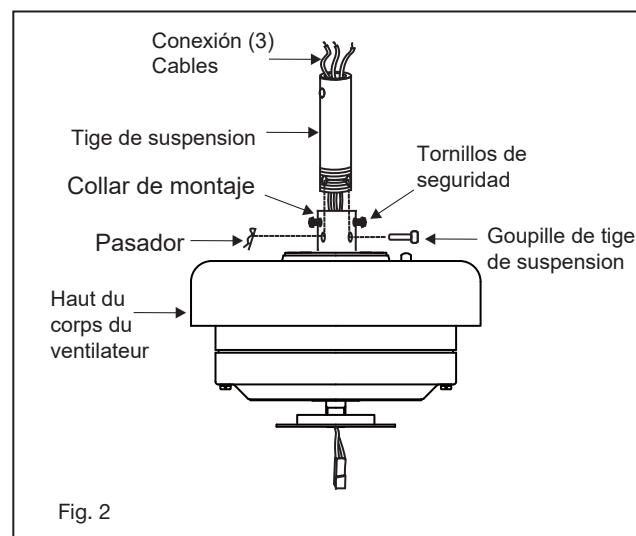
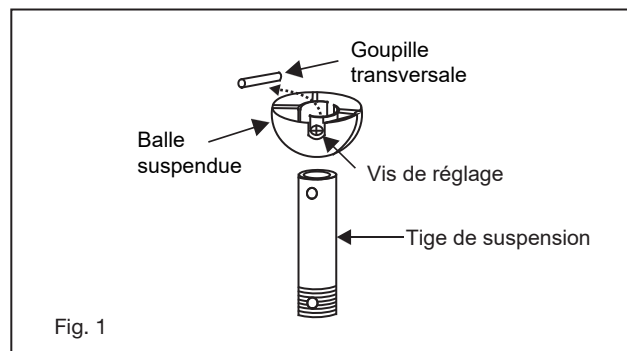


Fig. 1

ACCROCHER LE VENTILATEUR

- 1 Retirez la balle de la tige de suspension en desserrant la vis de réglage sur le côté de la balle. Faites glisser la balle vers le bas et retirez l'axe de la balle retirer la balle. (Fig. 1)
- 2 Soutenez soigneusement le corps du ventilateur (moteur) dans son emballage en mousse de polystyrène avec le collier de montage (où les fils sortent) vers le haut.
- 3 Desserrez les deux vis de sécurité et retirez la goupille de la tige de suspension et le clip de retenue de l'accouplement sur le dessus de l'ensemble moteur. (Fig.2)
- 4 Faites passer soigneusement les fils électriques du ventilateur à travers la tige de suspension. Vissez la tige de suspension dans le coupleur jusqu'à ce que les trous s'alignent. Insérez la goupille de la tige de suspension dans les trous du collier de montage et de la tige de suspension; cliper la goupille fendue dans le petit trou à l'extrémité de la goupille de la tige pour maintenir la tige en place.
- 5 Serrez les vis de sécurité contre la tige de suspension à l'aide d'un grand tournevis à lame plate pour assurer un ajustement serré contre la tige de suspension. Serrez les écrous contre le collier de montage



- 1 Deslice la cubierta del yugo, el anillo de ajuste y el dosel sobre la varilla. (Fig. 3)
- 2 Enrosque la bola de suspensión en la varilla, inserte el pasador transversal a través de la varilla y apriete. Apriete el tornillo de fijación.

REMARQUE:

Le ventilateur a 6 pieds de fil de connexion au cas où vous utilisez une longue tige de rallonge

- 3 Soulevez la boule / tige de suspension / ventilateur dans l'ouverture du support de suspension. **REMARQUE:** La languette opposée à l'ouverture du support de suspension doit s'insérer dans la fente de la boule. (Fig.4)
- 4 Effectuez les connexions des fils (reportez-vous à la section intitulée "Connexions électriques").
- 5 Faites glisser la verrière vers le haut et fixez-la au support de suspension à l'aide des 4 vis fournies.

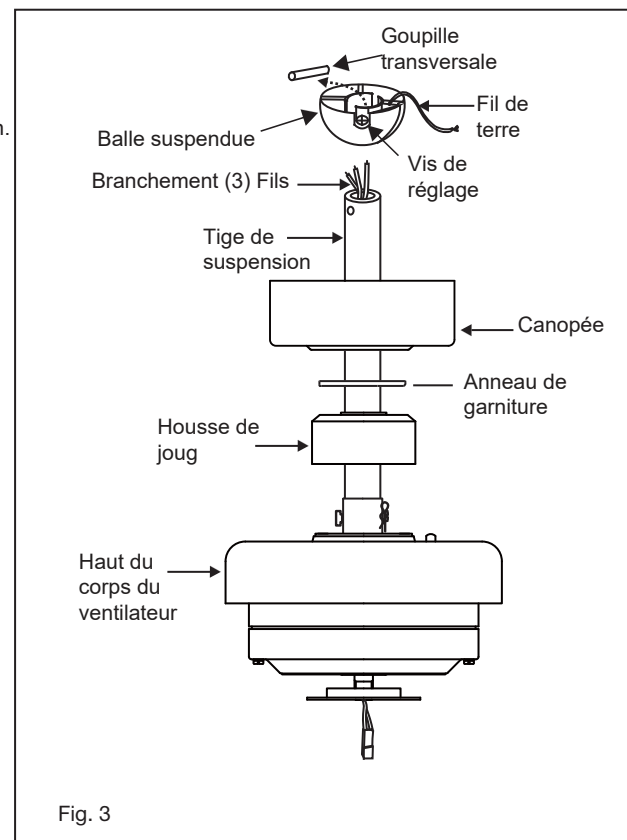


Fig. 3

INSTALLATION DU SUPPORT DE CÂBLE DE SÉCURITÉ

Fixez la vis à bois et la rondelle plate à la solive de plafond comme illustré (ne serrez pas complètement). Faites glisser le serre-câble sur le câble de sécurité du ventilateur. Enroulez le câble de sécurité autour de la vis à bois qui vient d'être fixée à la solive de plafond. Insérez l'extrémité du câble dans la pince et tirez autant de câble que possible. Serrez fermement la vis du collier. Coupez l'excédent de câble.

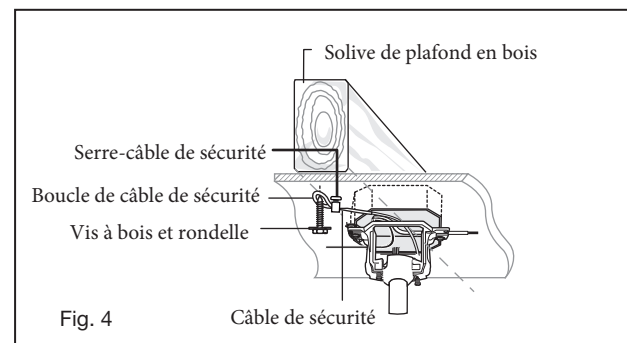


Fig. 4

CONNEXIONS ELECTRIQUES

AVERTISSEMENT:

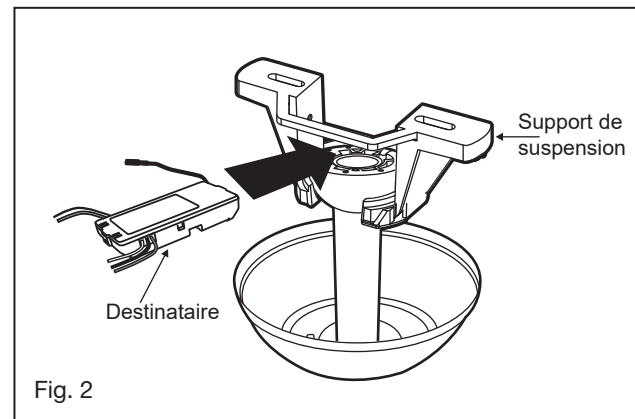
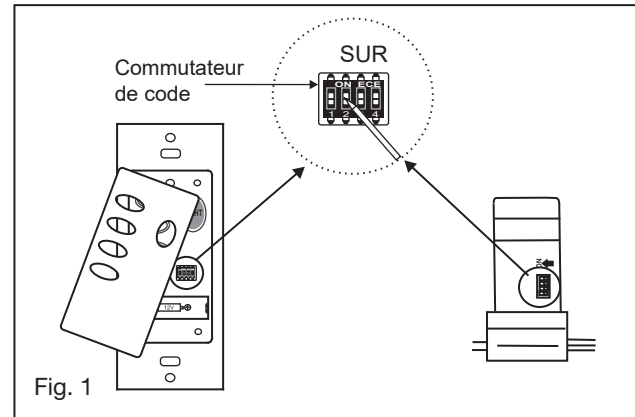
Pour éviter tout choc électrique, assurez-vous que l'électricité est coupée au niveau du fusible principal ou du disjoncteur avant le câblage.

1 Suivez les étapes ci-dessous pour connecter le ventilateur à votre câblage domestique. Utilisez les écrous de connexion des fils fournis avec votre ventilateur. Fixez les connecteurs avec du ruban électrique. Assurez-vous qu'il n'y a pas de fils ou de connexions lâches.

2 Les commutateurs DIP sur le récepteur sont recouverts d'un couvercle en caoutchouc, retirez le couvercle en caoutchouc, puis remettez-le en place après avoir apporté des modifications aux commutateurs DIP.

3 REMARQUE: Le système de télécommande est équipé de 16 combinaisons de fréquences possibles pour éviter les interférences avec ou avec d'autres télécommandes. Les commutateurs de fréquence de votre récepteur et émetteur ont été préréglés en usine. Veuillez vérifier pour vous assurer que les interrupteurs de l'émetteur et du récepteur sont réglés sur la même position, toute combinaison de paramètres fera fonctionner le ventilateur tant que l'émetteur et le récepteur sont réglés sur la même position. (Fig. 1)

4 Insérez le récepteur dans le support de montage au plafond avec le côté plat du récepteur face au plafond. (Fig. 2) Pour de meilleures performances, assurez-vous que l'antenne noire, à l'extrémité du récepteur, reste déployée et n'est emmêlée avec aucun des fils électriques.



5

Connexions électriques du moteur au récepteur: (Fig. 3) Connectez le fil noir du ventilateur au fil noir marqué "TO MOTOR L" sur le récepteur. Connectez le fil blanc du ventilateur au fil blanc marqué "TO MOTOR N" sur le récepteur. Connectez le fil bleu du ventilateur au fil bleu marqué "FOR LIGHT" sur le récepteur. Fixez toutes les connexions des fils avec les écrous en plastique fournis.

6

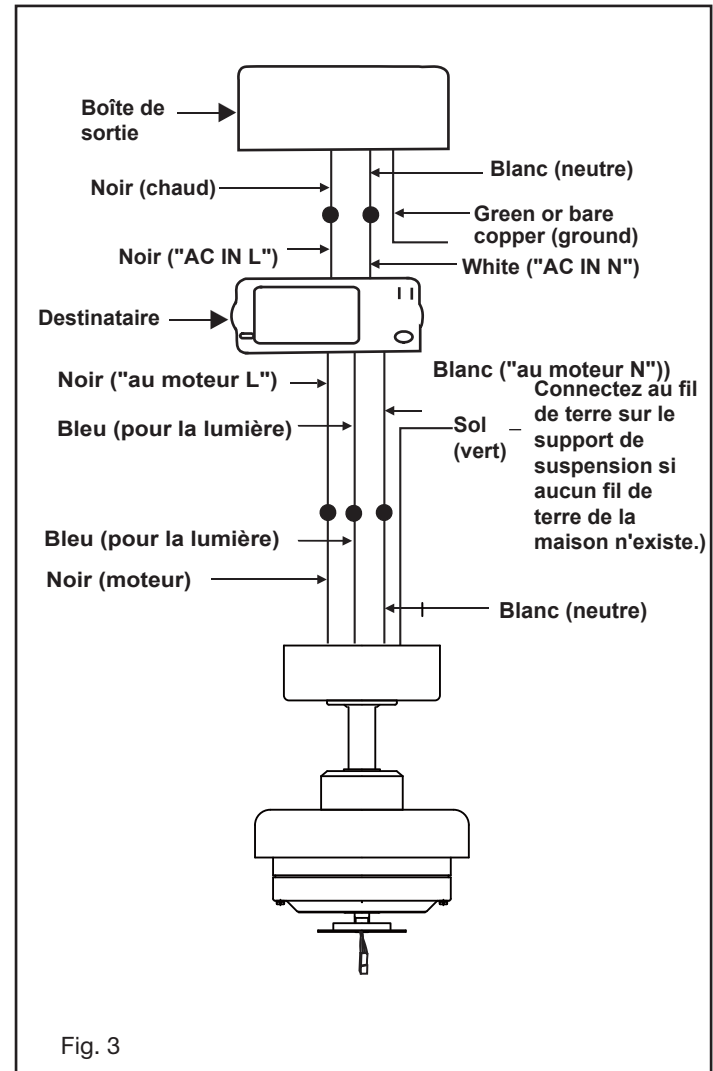
Connexions électriques du récepteur aux câbles d'alimentation de la maison: (Fig. 3) Connectez le fil noir (chaud) du plafond au fil noir marqué «AC in L» du récepteur. Connectez le fil blanc (neutre) du plafond au fil blanc marqué "AC in N" du récepteur. Fixez les connexions des fils avec les écrous en plastique fournis.

7

Si votre boîtier de sortie a un fil de terre (vert ou cuivre nu), connectez-le aux fils de terre du ventilateur; sinon, connectez le fil de terre du support de suspension au support de montage. Fixez la connexion du fil avec un écrou en plastique fourni. Après avoir connecté les fils, écartez-les de sorte que les fils vert et blanc soient d'un côté de la boîte de sortie et les fils noir et bleu de l'autre côté. Rentrez soigneusement les connexions des fils dans la boîte de sortie. (Fig.3)

Remarque:

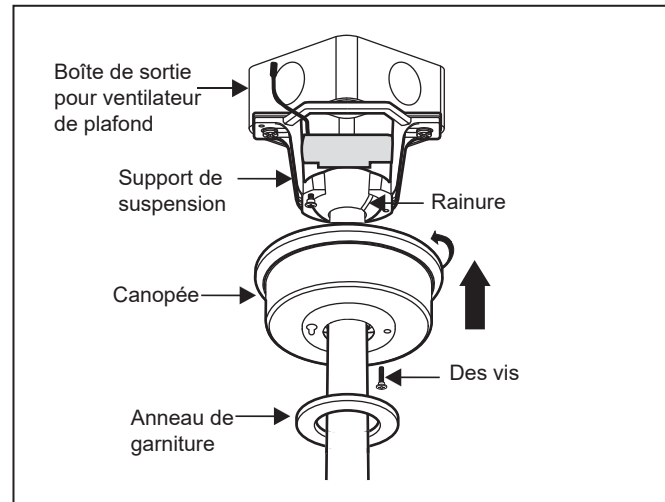
Le ventilateur doit être installé à une distance maximale de 30 pieds de l'émetteur à distance pour une transmission optimale du signal entre l'émetteur et l'unité de réception du ventilateur.



FIN DE L'INSTALLATION

- 1 Rentrez soigneusement les connexions dans la boîte de sortie au plafond.
- 2 Faites glisser l'auvent vers le haut sur le support de montage et placez le trou de clé sur l'anneau de garniture la vis sur le support de montage, tournez l'auvent jusqu'à ce qu'il se verrouille en place à la section étroite des trous de clé.
- 3 Alignez le trou circulaire sur l'auvent avec le trou restant sur le support de montage, fixez en serrant les deux vis de réglage.

REMARQUE: Ajustez les vis de la verrière au besoin jusqu'à ce que la verrière et l'anneau de garniture soient bien ajustés.

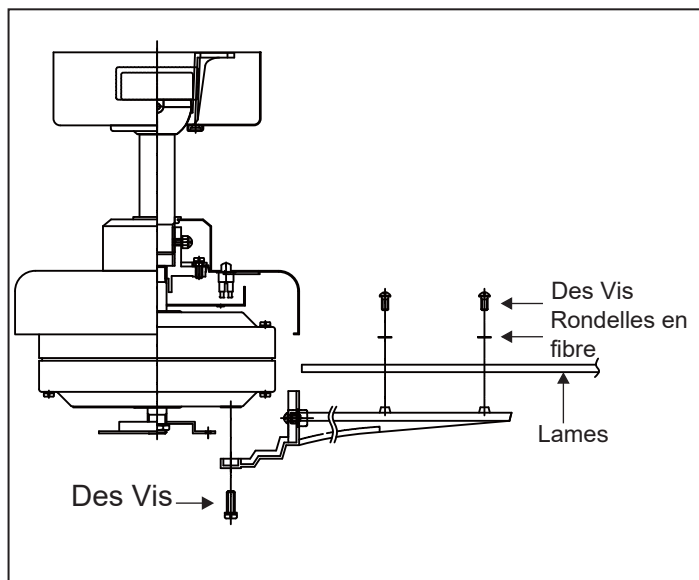


AVERTISSEMENT:

Assurez-vous que le crochet du support de suspension repose correctement dans la rainure de la boule de suspension avant de fixer la verrière au support en tournant le boîtier jusqu'à ce qu'il tombe en place.

INSTALLATION DES LAMES

REMARQUE: un ventilateur par circuit d'alimentation.

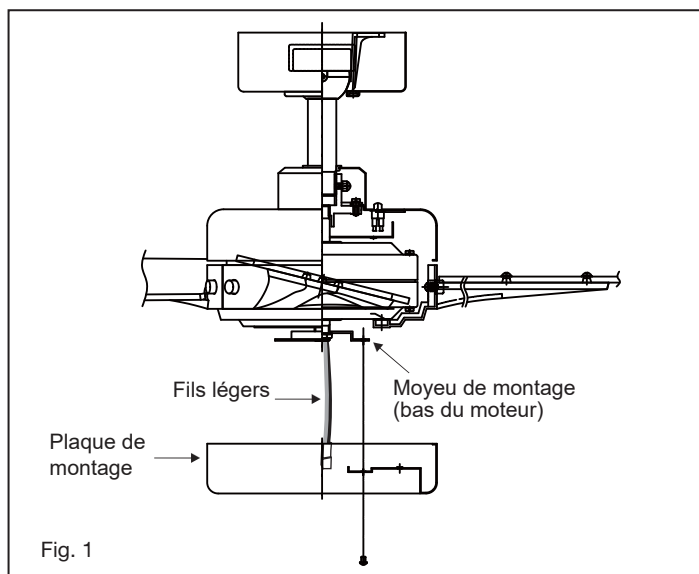


- 1 Placer la rondelle en fibre sur la vis. Insérez cet assemblage dans la lame et démarrez la vis dans le bras de la lame. Répétez cette procédure sans serrer la vis jusqu'à ce que les 3 vis aient été mises en place dans le bras de lame.
- 2 Serrez chaque vis en commençant par la vis centrale.
- 3 Fixez l'assemblage de la lame au moteur avec les vis et les rondelles de blocage fournies. Répétez la procédure pour les lames restantes. Assurez-vous que les vis sont **SERRÉES!** Des vis de moteur desserrées peuvent contribuer à un ronflement inutile pendant le fonctionnement.

Remarque:

Les tournevis électriques sans fil ne sont PAS recommandés, car ils dénudent généralement la tête des vis et ne compressent généralement pas complètement les rondelles de blocage sur les vis du moteur. Utilisez un grand tournevis à lame plate pour un serrage final afin de compresser complètement les rondelles. Cela aidera à assurer un alignement correct des lames et un fonctionnement sans bruit et sans vacillement.

INSTALLATION DE LA PLAQUE DE MONTAGE



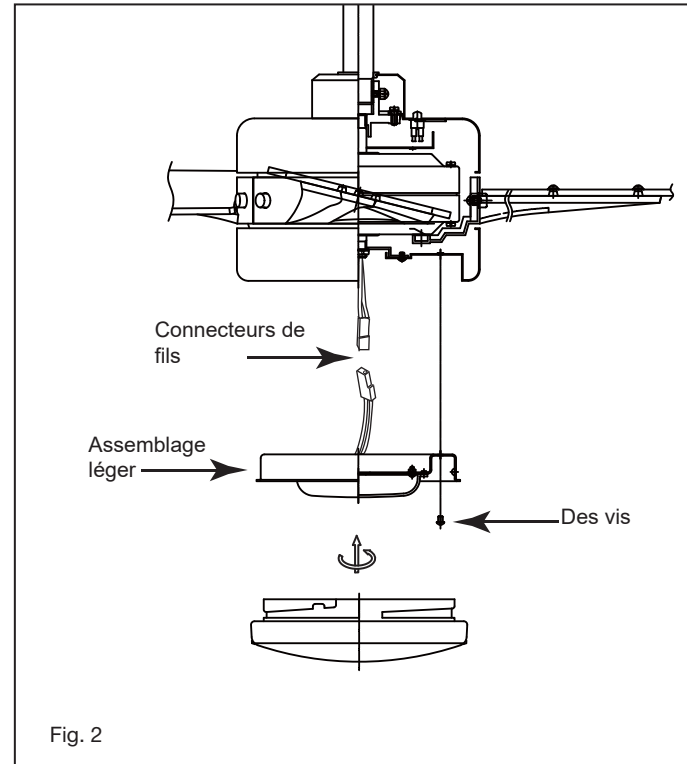
REMARQUE: assurez-vous que l'alimentation est coupée avant l'installation.

- 1 Retirez l'une des trois vis du moyeu de montage situé sur le moteur du ventilateur. Desserrez les 2 autres vis. (Ne pas retirer) (Fig.1)
Faites passer les fils de lumière à travers le trou central de la plaque de montage.
- 2 Placez les trous de clé sur la plaque de montage sur les 2 vis précédemment desserrées, tournez la plaque de montage jusqu'à ce qu'elle se verrouille en place dans la section étroite des trous de clé.
- 3 Fixez en serrant les 2 vis précédemment desserrées et celle précédemment retirée.

INSTALLATION DU KIT D'ÉCLAIRAGE ET DE LA TOILE EN VERRE

REMARQUE: assurez-vous que l'alimentation est coupée avant l'installation.

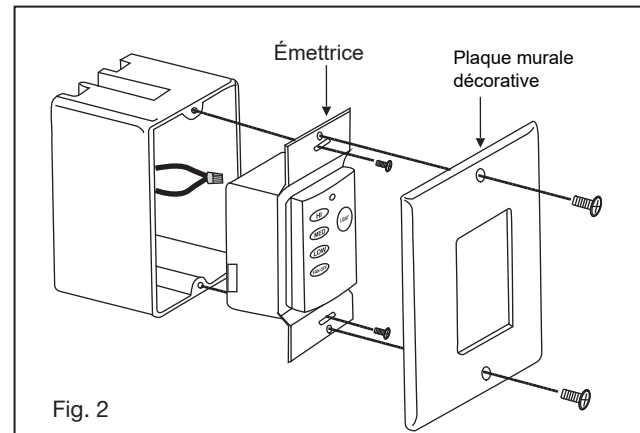
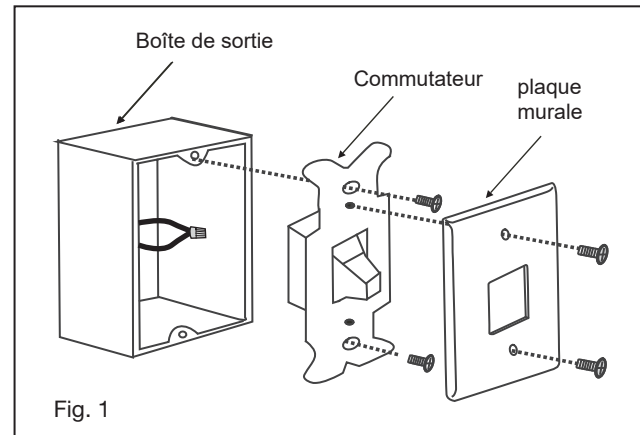
- 1 Retirez l'une des trois vis de la plaque de montage située sur le moteur du ventilateur. Desserrez les 2 autres vis. (Ne pas retirer) (Fig.2)
- 2 Tout en tenant le kit d'éclairage LED sous votre ventilateur, effectuez les connexions de la fiche polarisée: (Fig.2)
 - Rouge à blanc
 - Noir à noir
- 3 Rentrez soigneusement les connexions dans la plaque de montage. Placez les trous de clé sur le kit d'éclairage sur les 2 vis précédemment desserrées, tournez le kit d'éclairage jusqu'à ce qu'il se verrouille en place dans la section étroite des trous de clé. Fixez en serrant les 2 vis précédemment desserrées et celle précédemment retirée.
- 4 Soulevez l'abat-jour en verre contre le kit d'éclairage LED et tournez dans le sens des aiguilles d'une montre jusqu'à ce qu'il soit bien ajusté, **NE PAS TROP SERRER**.
- 5 Rétablissez l'alimentation et votre kit d'éclairage est prêt à fonctionner.



INSTALLATION DE L'ÉMETTEUR MURAL

N'OUBLIEZ PAS de couper l'alimentation avant de commencer.

- 1 Retirez la plaque murale existante et l'ancien interrupteur du boîtier de prise murale. Serrez les fils NOIR (chauds) ensemble et repoussez à l'intérieur de la boîte de sortie. (Fig. 1)
- 2 Installez l'émetteur mural sur la boîte murale existante à l'aide des vis fournies. Fixez la plaque murale avec les vis de montage pour terminer l'installation. (Fig.2)

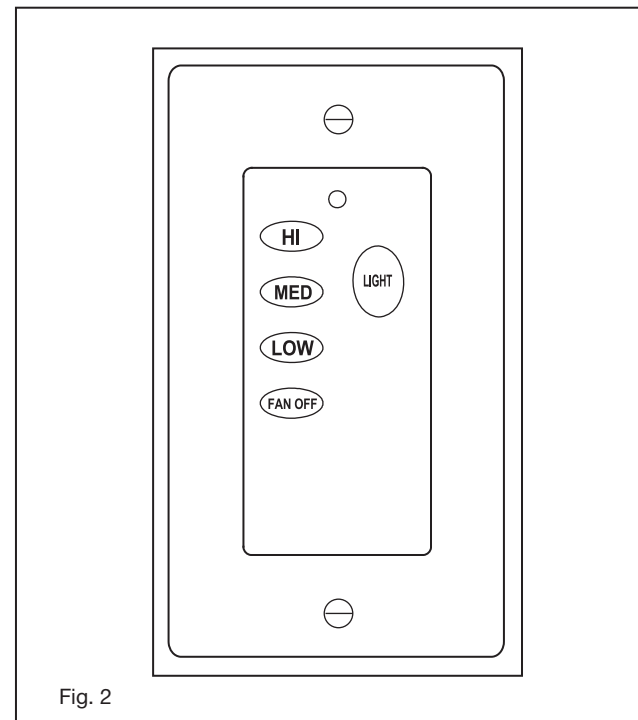
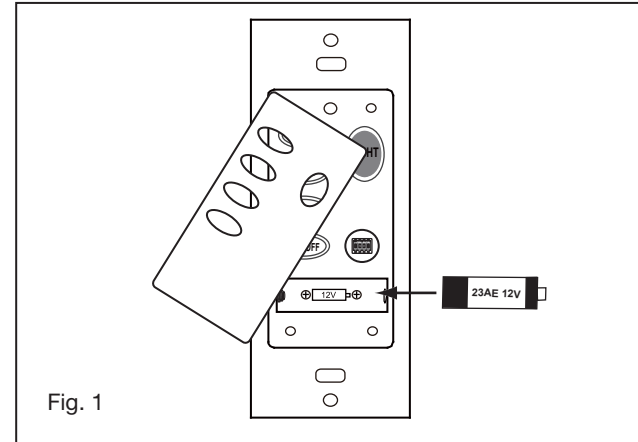


OPÉRATION

- 1 Rétablissez l'alimentation du ventilateur de plafond et testez son bon fonctionnement.
- 2 Retirez la plaque frontale de l'interrupteur mural en soulevant vers le haut, puis insérez la batterie 12V fournie. Duracell MN21 / Eveready A23 / GP 23A tous 12V. (Fig. 1)
Boutons "LO, MED, HI":
- 3 Ces trois boutons sont utilisés pour régler la vitesse du ventilateur comme suit:
LO = basse vitesse
MED = vitesse moyenne
HI = haute vitesse
- 4 Bouton "**FAN OFF**":
Ce bouton éteint le ventilateur.
- 5 Le bouton "**LIGHT**" est contrôlé en appuyant sur le bouton light. Appuyez rapidement sur le bouton pour allumer ou éteindre la lumière. Appuyez une fois sur le bouton et relâchez-le pour allumer la lumière à pleine luminosité. Maintenez le bouton enfoncé pour augmenter ou diminuer la luminosité de la lumière. Relâchez le bouton à la luminosité souhaitée et ce réglage sera mémorisé la prochaine fois que la lumière sera allumée. La luminosité préréglée peut être modifiée en appuyant à nouveau sur le bouton d'éclairage jusqu'à ce que la nouvelle luminosité souhaitée soit atteinte.
- 6 La portée de l'émetteur est d'environ 25 pieds. Une nouvelle pile alcaline donnera généralement une portée de 35 pieds ou plus.

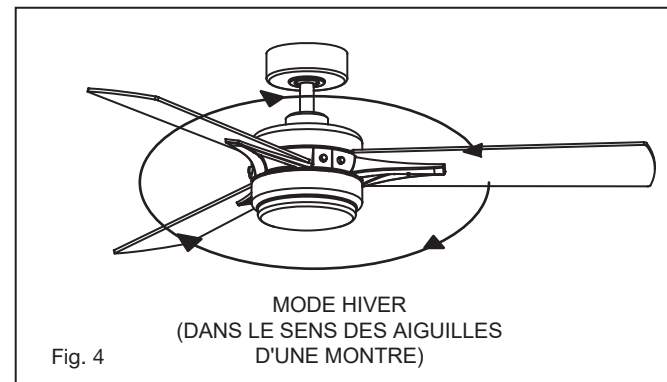
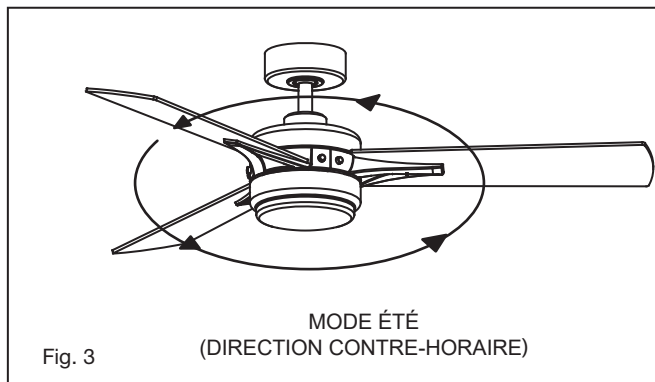
REMARQUE:

En cas de perte d'alimentation du ventilateur-récepteur, la mémoire sera perdue et tous les paramètres reviendront à leur valeur par défaut.



Fonctionnement en mode été et en mode hiver

- 7 **IMPORTANT:** pour éviter tout dommage ou blessure, assurez-vous que le ventilateur est réglé sur off et que les pales se sont complètement arrêtées avant d'essayer de changer le sens de rotation.
- 8 L'interrupteur de marche arrière est situé sur le dessus du boîtier du moteur. Faites glisser le commutateur vers la droite pour le fonctionnement en mode hiver. Faites glisser le commutateur vers la gauche pour le fonctionnement en mode été. Assurez-vous que l'interrupteur n'est pas coincé entre les positions avant et arrière.
- 9 **Mode été (avant):**
Un flux d'air VERS LE BAS crée un effet de refroidissement comme le montre la figure 3. Cela vous permet de régler votre climatiseur sur un réglage plus chaud sans affecter votre confort.
- 10 **Mode hiver (marche arrière):**
Un flux d'air VERS LE HAUT déplace l'air plus chaud de la zone du plafond, comme illustré à la figure 4. Cela vous permet de régler votre unité de chauffage sur un réglage plus frais sans affecter votre confort.



ENTRETIEN ET NETTOYAGE

Périodiquement, il peut être nécessaire de resserrer les vis de la lame sur le bras de la lame ou du bras de la lame sur les vis du moteur pour éviter les cliquetis ou les bourdonnements pendant le fonctionnement. Cela est particulièrement vrai dans les climats avec de larges plages de température et d'humidité.

Lors de l'époussetage des lames, vous devez soutenir la lame pour éviter qu'elle ne se plie - aucune pression ne doit être appliquée sur les lames. Si vous rencontrez des défauts dans le fonctionnement de votre ventilateur, veuillez vérifier les points suivants.

DÉPANNAGE

MISE EN GARDE:

Coupez l'alimentation électrique avant d'effectuer l'une de ces vérifications

PROBLÈME

SOLUTION

LE VENTILATEUR NE DÉMARRE PAS

1. Vérifiez les fusibles ou les disjoncteurs du circuit.
2. Vérifiez le voyant lumineux de la commande murale. Si la LED n'est pas allumée en appuyant sur un bouton, elle ne transmet pas de signal. Veuillez vérifier l'alimentation de la commande murale / du disjoncteur et de toutes les connexions électriques.
3. Assurez-vous qu'il n'y a pas plus de 2 ventilateurs fonctionnant sur un circuit via la commande murale. Assurez-vous qu'il n'y a pas plus de 12 ventilateurs fonctionnant sur un circuit via un interrupteur mural marche / arrêt ou un disjoncteur (pas via une commande murale).
4. Assurez-vous que le ventilateur se trouve à portée du WiFi (150 pi) ou de la commande murale (30 pi).

FAN SONS BRUIT

1. Accordez une période de rodage de 24 heures. La plupart du bruit associé à un nouveau ventilateur disparaîtra pendant ce temps.
2. Assurez-vous que toutes les vis du boîtier du moteur sont bien fixées.
3. Assurez-vous que les vis qui fixent la lame du ventilateur au ventilateur sont bien serrées.
4. Assurez-vous que votre boîtier de plafond est sécurisé et que des coussinets isolants en caoutchouc sont utilisés entre le support de montage et le boîtier de sortie.

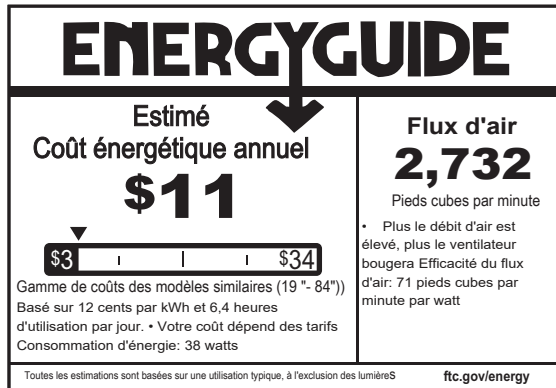
VENTILATEURS WOBBLES

1. Vérifiez que toutes les vis de lame et de bras de lame sont bien fixées.
2. Si l'oscillation de la lame est toujours perceptible, l'échange de deux lames adjacentes (côte à côte) peut redistribuer le poids et éventuellement entraîner un fonctionnement plus fluide.
3. Vérifiez que toutes les tiges de fixation du matériel du moteur et / ou de la boule de suspension sont bien serrées.
4. Assurez-vous que le boîtier de plafond est sécurisé.

GUIDE ÉNERGÉTIQUE

CARACTÉRISTIQUES

PERFORMANCE MOYENNE ET INFORMATIONS ÉNERGÉTIQUES



SPÉCIFICATIONS DE PERFORMANCE	LA NORME	
	HAUTE VITESSE	FAIBLE VITESSE
Débit d'air (CFM)	3604	1745
Consommation d'énergie (watts)	56.7	12.8
Efficacité du flux d'air (CFM / W)	64	136
Coûts énergétiques (annuels)	\$11	\$1
Amplis	0.48	0.30
RPMs	190	88

SMART BY BOND

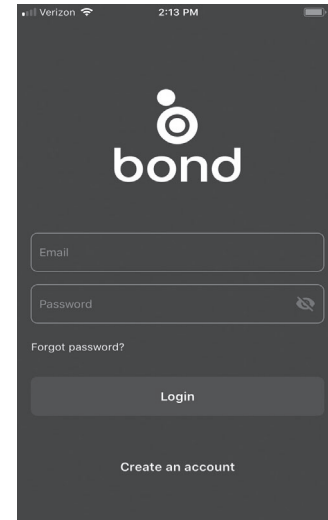
OPTIONS DE VENTILATEUR HINKLEY SMART

Vendu séparément:

En plus du contrôle mural inclus, vous pouvez contrôler votre ventilateur Hinkley via l'application Bond.

- Pour utiliser l'application, téléchargez-la gratuitement depuis l'App Store ou Google Play.
- Ouvrez l'application pour créer votre compte. Vous pouvez également vous connecter avec votre compte Facebook ou Google.
- Ensuite, configurez une connexion WiFi. Vous aurez besoin du SSID et du mot de passe WiFi pour le réseau auquel vous souhaitez vous connecter.
- Vous serez invité à choisir la finition de votre ventilateur et à nommer votre périphérique de ventilateur.
- L'application vous guidera à travers l'écran principal et vous montrera comment modifier la vitesse des ventilateurs, atténuer la lumière, régler les minuteries ou utiliser le mode brise.

REMARQUE: 2 ventilateurs maximum peuvent fonctionner sur un circuit via la commande murale. Un maximum de 12 ventilateurs peuvent fonctionner sur un circuit via un interrupteur marche / arrêt ou un disjoncteur lors de l'utilisation de l'application pour la commande du ventilateur (sans la commande murale dans le circuit).



<https://bondhome.io/app>

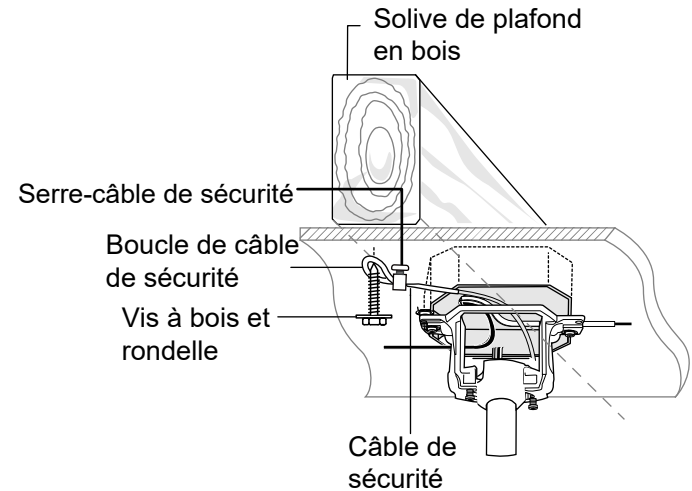
HINKLEY EST FIÈRE DE VOUS FOURNIR DES PRODUITS DE VENTILATEUR DE PLAFOND QUI AMÉLIORENT VOTRE ESPACE AVEC CONFORT, OBJECTIF ET STYLE. EN TANT QU'ENTREPRISE FAMILIALE, NOUS NOUS ENGAGEONS À CONCEVOIR, PERFORMANCE ET QUALITÉ, ET CE QUI EST IMPORTANT POUR VOUS EST PARAMOUNT POUR NOUS.

POUR UN ASSORTIMENT COMPLET DE NOS PRODUITS ET LIVRES DE SOURCE, VISITEZ [HINKLEY.COM](https://www.hinkley.com).

HINKLEY

INSTALLATION DE LA SÉCURITÉ SUPPORT DE CÂBLE

Fixez la vis à bois et la rondelle plate à la solive de plafond comme illustré (ne serrez pas complètement). Faites glisser le serre-câble sur le câble de sécurité du ventilateur. Enroulez le câble de sécurité autour de la vis à bois qui vient d'être fixée à la solive de plafond. Insérez l'extrémité du câble dans la pince et tirez le plus de câble possible. Serrez fermement la vis du collier. Coupez l'excédent de câble.



HINKLEY

GLOBAL HEADQUARTERS

33000 Pin Oak Parkway | Avon Lake, Ohio 44012

T (440) 653 5500 | F (440) 653 5555 | hinkley.com