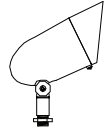


Family: 120V Series Spot Light | Item No. 54000 BZ

▼ start here



1

1. Find a clear area in which you can work.
2. Carefully review instructions prior to assembly.
3. Gather tools required: **WIRE STRIPPERS, PHILIPS HEAD SCREWDRIVER, SILICONE GREASE, THREAD SEALANT.**
 - Save these instructions for future reference.

WARNING: LUMINAIRE MUST BE INSTALLED AND GROUNDED IN ACCORDANCE WITH THE NATIONAL ELECTRICAL CODE (NEC) AND LOCAL CODES. FOR PORTABLE STAKE OR SUFACE MOUNT USING A CORD AND PLUG, THE LUMINAIRE MUST BE PLUGGED INTO A RECEPTACLE PROTECTED BY A GROUND FAULT CIRCUIT INTERRUPTER (GFI). FAILURE TO DO SO MAY RESULT IN SERIOUS INJURY AND/ OR DAMAGE TO THE LUMINAIRE.

ALWAYS USE UL RECOGNIZED WIRE CONNECTORS FOR CONNECTIONS.

SAFETY WARNING: LUMINAIRE CAN BECOME VERY HOT DEPENDING ON THE LAMP WATTAGE USED. LENS AND HOUSING AROUND THE LAMP CAN BECOME HOT ENOUGH TO BLISTER HANDS. PARTICULAR CARE SHOULD BE TAKEN NOT TO LOCATE LUMINAIRES WHERE SMALL CHILDREN CAN REACH THEM IF HIGH WATTAGE LAMPS ARE USED.

IN GROUND LUMINAIRE IS UL LISTED FOR ABOVE GRADE INSTALLATION ONLY.

2

1. Please refer to the **mounting instructions** located on the back of this sheet to continue installation of this fixture.

3

lamp installation | replacement

1. To prevent electrical shock, disconnect from the electrical supply before servicing.
2. Loosen set screw from shroud assembly.
3. Remove shroud assembly to expose lamp.
4. Replace lamp with correct wattage and type marked on fixture label.
CAUTION: DO NOT EXCEED MAXIMUM WATTAGE MARKED ON LUMINAIRE LABEL.
5. Re-install shroud assembly and tighten set screw.
6. After lamp is installed supply power to the luminaire and check for proper operation.

MAINTENANCE NOTE: TO ASSURE PROPER OPERATION AND EFFICIENCY AND TO PREVENT LUMINAIRE OVERHEATING, LENS MUST BE KEPT CLEAN AND FREE OF DIRT, LEAVES, TRASH, AND MINERAL DEPOSITS FROM WATER. A REGULAR SCHEDULE MAINTENANCE PROGRAM IS RECOMMENDED.

Info 54000 BZ: Lamp Type is Par 20 or R-20
Maximum Wattage is 50 watts per bulb.

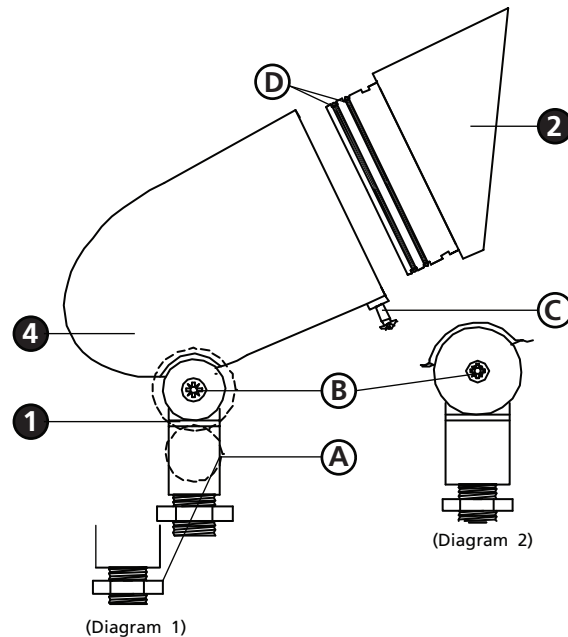
3.4.08



mounting instructions

Family: 120V Series Spot Light | Item No. 54000 BZ

Drawing 1 - Fixture Mounting



2

1. Make sure electrical supply is off at the circuit breaker before starting luminaire installation or servicing.

2. Thread luminaire onto junction box or other mounting device (not provided) until it is at desired direction using thread sealant. Tighten jam nut **(A)** provided to ensure the luminaire is locked to adjusted position - see **Drawing 1/Diagram 2**.

3. Attach luminaire leads to line in leads observing polarity, black to black, white to white and green to ground using silicone filled safety connectors provided.

4. Attach junction box cover with luminaire to junction box (not provided) . Make sure not to pinch wires that may be sandwiched between cover and box.

5. Coat exposed luminaire threads with thread sealant to keep moisture from entering junction box or other mounting device.

6. To adjust luminaire aiming angle, untighten screw **(B)** found on adjustable knuckle **(1)** - see **Drawing 1/Diagram 2**. Do not disengage totally.

Hold luminaire at selected angle and tighten adjustable knuckle screw firmly.
NOTE: If an R-20 lamp is used with this luminaire, lensed shroud must be installed at all times.

7. This luminaire is provided with a shroud **(2)** as shown in the instruction sheet. To install shroud loosen set screws **(C)**. Turn shroud **(2)** in a circular motion while shroud slides into housing **(4)** Do not push straight into the housing to prevent O-Ring **(D)** from slipping out of its groove. The shrouds may be used in combination with one another.

8. Coat all exposed screws with silicone grease.

9. Please refer to front of this sheet to install lamp.



WARNING: TO REDUCE THE RISK OF FIRE, OR INJURY TO PERSONS:

1. Turn off/unplug and allow to cool before replacing lamp.

2. Lamps get hot quickly! Contact only switch/plug when turning on.

3. Do not touch hot lens, guard or enclosure.

4. Keep lamp away from material that may burn.

5. Do not operate luminaire fitting with a missing or damaged cover.