

UNION

52372 / 52373 / 52374

Bulbs: 60 W G9

ASSEMBLY INSTRUCTIONS

Assembly of this fixture will be accomplished by first installing the mounting strap to the junction box, making all necessary electrical connections, mounting the fixture to the wall and then installing the fixture glass.

SAFETY WARNING: Read wiring and grounding instructions (IS18) and any additional directions. Turn power supply off during installation. If new wiring is required, consult a qualified electrician or local authorities for code requirements.

STEP 1

NOTE: The union fixture can be mounted vertically or horizontally. The attitude in which the fixture is to be installed must be determined prior to installation. To install vertically retainer plate (a) must be mounted with long edge perpendicular to the ceiling and then follow installation instructions below.

- 1 Remove ball knob (c) from front of backplate (d) - See Drawing 1.
- 2 Remove retainer plate (a) from backplate (d).
- 3 Attach retainer plate (a) to junction box using two 8-32 screws (b).
If installing vertical long edge is perpendicular to ceiling, if installing horizontally long edge is parallel to ceiling.
- 4 Additional screws can be installed at points (e) for additional mounting support. Please use appropriate anchor for material the fixture is being mounted too.
- 5 Make electrical connections from supply wire to fixture lead wires. Refer to instruction sheet (IS18) and follow all instructions to make all necessary wiring connections. Then refer back to this sheet to continue installation of this fixture.
- 6 Slip holes (g) in backplate (d) over screws (f) on retainer plate (a).
- 7 Thread ball knobs (c) onto end of screws (f) and tighten to secure backplate to wall.

STEP 2

- 1 If mounted horizontally slip glass (1) through arch (2) from either end, and center - See Drawing 2.

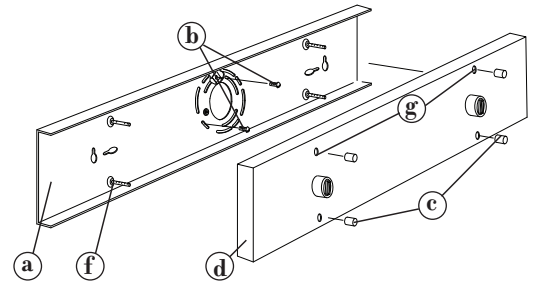
STEP 3

- 1 To install glass vertically first it is necessary to attach the glass supports (3) to the backplate (d) - See Drawing 3.
- 2 To install glass supports (3) first remove screw (4) from backplate (d).
- 3 To attach glass supports (3) align holes in support tab with threaded hold (g) in backplate (d) and thread in screw (3) removed earlier.

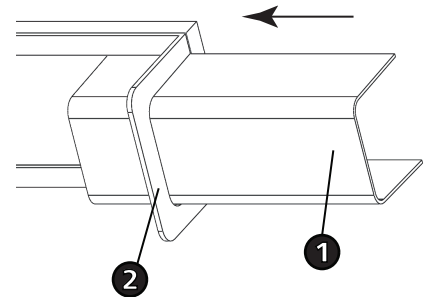
NOTE: there is a left and right glass support. when installing support, hook (h) and mounting tab of glass support face towards the outside edge of the fixture - See Drawing 3.

- 4 After glass supports are attached slide in glass (1) in from the top of the fixture, through arch (2) making sure bottom edge of glass fits into hook (h) of glass support.

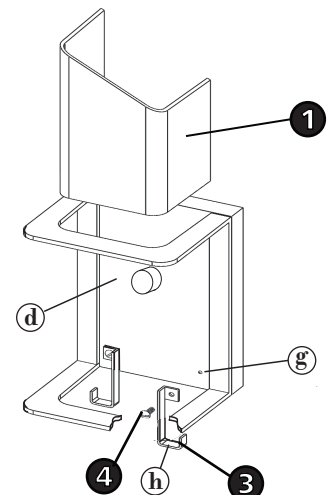
[DRAWING 1]



[DRAWING 2]



[DRAWING 3]



FREDRICK RAMOND
ESTABLISHED 1965

A Division of Hinkley Lighting, Inc.
33000 PIN OAK PARKWAY | AVON LAKE, OHIO 44012
toll free 800.446.5539 | phone 440.653.5500