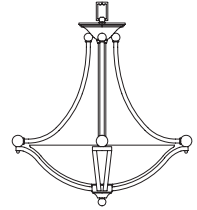
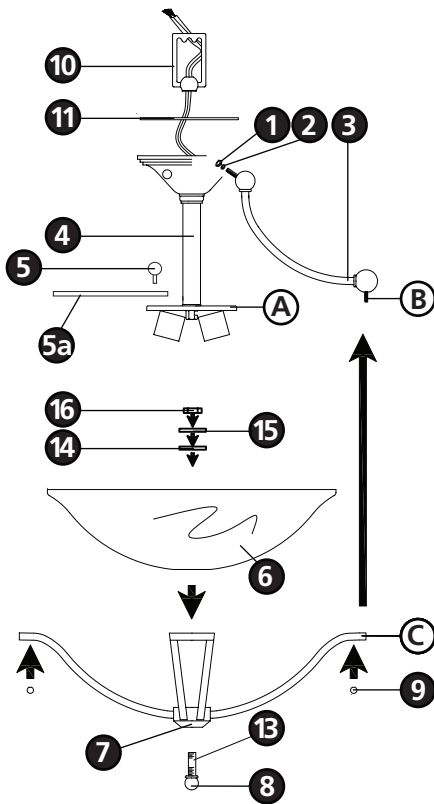


Family: Bolla | Item No. 4652



Drawing 1 - Fixture Assembly

## ▼ start here



**1**

1. Find a clear area in which you can work.
2. Unpack fixture and glass from carton.
3. Carefully review instructions prior to assembly.

**\*\*\* The construction of this fixture will be accomplished by first assembling the main body of the fixture, making all necessary electrical connections, hanging the fixture from the ceiling, and then installing the glass.**

**SAFETY WARNING: READ WIRING AND GROUNDING INSTRUCTIONS (I.S. 18) AND ANY ADDITIONAL DIRECTIONS. TURN POWER SUPPLY OFF DURING INSTALLATION. IF NEW WIRING IS REQUIRED, CONSULT A QUALIFIED ELECTRICIAN OR LOCAL AUTHORITIES FOR CODE REQUIREMENTS.**

**2**

1. To assemble main body, remove loop (10) and canopy plate (11) from center column assembly (4).
2. Attach arms (3) to fixture column assembly (4) using lockwasher (2) and hex nut (1).
3. Replace plate (11) and thread loop (10) onto center column assembly (4).
4. Remove ball knob (5) from top of cluster assembly (A). Place diffuser (5a) on top and attach using ball knob (5) removed earlier.
5. Please refer to the hanging instruction sheet (I.S. 19) provided to continue installation of this fixture. Then refer back to this sheet to install glass.

**3**

1. Prior, to installing glass, fixture can now be lamped.
2. To install glass, slip stem (13) with decorative ball knob (8) through center hole of bottom assembly (7).
3. Slip glass (6) over nipple (13) and into bottom assembly (7).
4. Slip rubber washer (14), followed by steel washer (15) onto stem (13).
5. Thread hex nut (16) onto stem (13) and tighten to secure glass (6) to bottom assembly (7).
6. Line up the holes on bottom of arms (C) with the threaded stud (B) extending out from end of arm (3).
7. Slip holes (C) in bottom assembly (7) arms over studs (B) and hold in position.
8. Thread ball knob (9) onto end of stud (B).