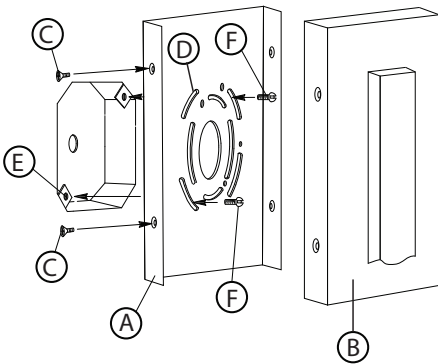


Item No. 3582

## ▼ start here

Drawing 1 - Fixture Mounting



**1**

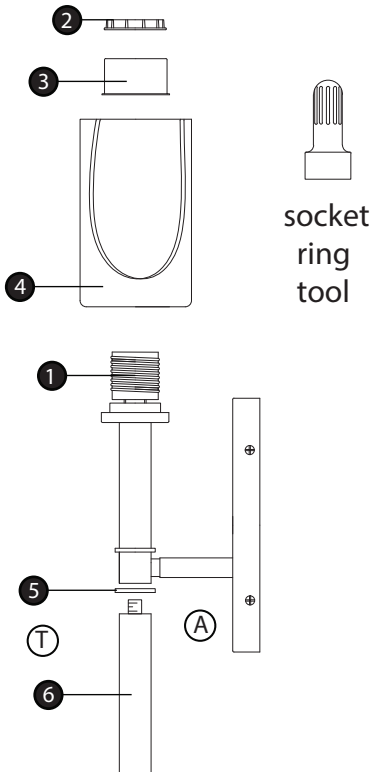
2. Unpack fixture and glass from carton.
3. Carefully review instructions prior to assembly.

\*\*\* The construction of this fixture will be accomplished by first mounting the mounting strap to the junction box, making all necessary electrical connections, assembling the main body of the fixture, mounting the fixture to the wall, and then installing the glass.

**2**

1. Remove main mounting plate (A) from fixture back plate (B) by removing the four flat head screws (C) - see Drawing 1.
2. Slide the wires from the junction box, through the large center hole, making sure curved slots (D) line up with the threaded holes (E) in the junction box.
3. Using two 8-32 screws (F) not included, attach the main mounting plate (A) to the junction box, making sure side of mounting plate (A) is square to ceiling.

Drawing 2 - Glass installation



socket  
ring  
tool

**3**

Make electrical connections from supply wire to fixture lead wires. Refer to instruction sheet (I.S. 18) and follow all instructions to make all necessary wiring connections. Then refer back to this sheet to continue installation of this fixture.

**4**

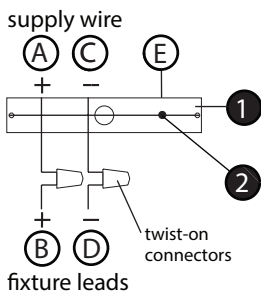
1. Mount the fixture by sliding the back plate (B) over mounting plate (A) - see Drawing 1.
2. Attach the back plate (B) to the mounting plate (A) using the screws (C).

**5**

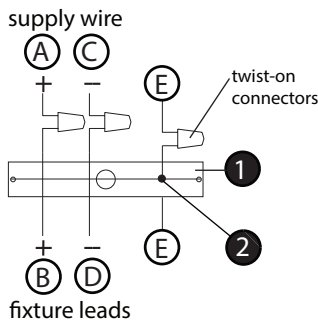
1. To install glass remove socket ring (2) and spacer (3) from socket (1).
2. Slip glass (4) over socket (1).
3. Slip spacer (3) over socket.
4. Thread socket ring (2) onto socket (1) and tighten until snug, using socket ring tool provided.
5. To complete assembly slip decorative washer over threaded tube (T), then thread tail into bottom of arm (A).

6.1.12

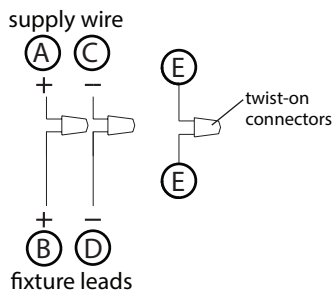
Drawing 1 - Flush Mount



Drawing 2 - Chain Hung



Drawing 3 - Post-Mount



**SAFETY WARNING: READ WIRING AND GROUNDING INSTRUCTIONS (I.S. 18) AND ANY ADDITIONAL DIRECTIONS. TURN POWER SUPPLY OFF DURING INSTALLATION. IF NEW WIRING IS REQUIRED, CONSULT A QUALIFIED ELECTRICIAN OR LOCAL AUTHORITIES FOR CODE REQUIREMENTS.**

### wiring instructions

#### Indoor Fixtures

1. Connect positive supply wire (A) (typically black or the smooth, unmarked side of the two-conductor cord) to positive fixture lead (B) with appropriately sized twist on connector - see Drawings 1 or 2.
2. Connect negative supply wire (C) (typically white or the ribbed, marked side of the two-conductor cord) to negative fixture lead (D).
3. Please refer to the grounding instructions below to complete all electrical connections.

#### Outdoor Fixtures

1. Connect positive supply wire (A) (typically black or the smooth unmarked side of the two-conductor cord) to positive fixture lead (B) with appropriately sized twist on connector - see Drawings 2 or 3.
2. Connect negative supply wire (C) (typically white or the ribbed, marked side of the two-conductor cord) to negative fixture lead (D).
3. Cover open end of connectors with silicone sealant to form a watertight seal. If installing a wall mount fixture, use caulk to seal gaps between the fixture mounting plate (backplate) and the wall. This will help prevent water from entering the outlet box. If the wall surface is lap siding, use caulk and a fixture mounting platform specially.
4. Please refer to the grounding instructions below to complete all electrical connections.

### grounding instructions

#### Flush Mount Fixtures

For positive grounding in a 3-wire electrical system, fasten the fixture ground wire (E) (typically copper or green plastic coated) to the fixture mounting strap (1) with the ground screw (2) - see Drawing 1. Note: On straps for screw supported fixtures, first install the two mounting screws in strap. Any remaining tapped hole may be used for the ground screw.

#### Chain Hung Fixtures

Loop fixture ground wire (E) (typically copper or green plastic coated) under the head of the ground screw (2) on fixture mounting strap (1) and connect to the loose end of the fixture ground wire directly to the ground wire of the building system with appropriately sized twist-on connectors - see Drawing 2.

#### Post-Mount Fixtures

Connect fixture ground wire (E) (typically copper or green plastic coated) to power supply ground with appropriately sized twist-on connector inside post. Cover open end of connector with silicone sealant to form a watertight seal - see Drawing 3.