

## Allegro N Bar Faucet, 1.75 GPM

Finishes : **chrome** Part no. : **71845001**



### Description

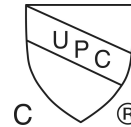
#### Features

- Swivel range 360°
- Laminar spray
- Single-hole installation
- Flow: 1.75 GPM (6.6 L/Min)
- Ceramic cartridge
- 3/8" hoses
- NSF61/IAPMO/N3016-(No NSF Logo!)
- DOE/FTC
- NSF372(LL)/Iapmo/6738-(No NSF Logo!)
- TECQ/Texas Registered
- ADA/IAPMO/3016
- CEC/California/Watersaving

### Technology



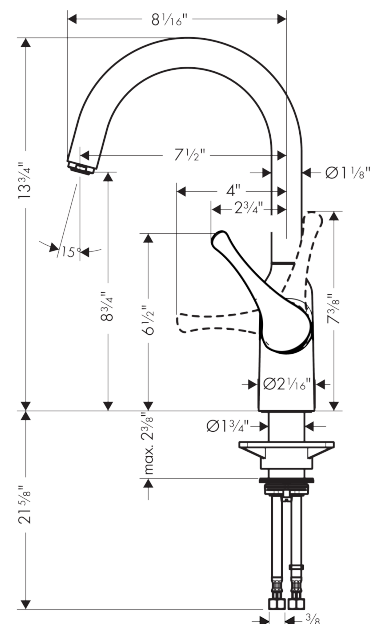
### Compliance



### Product image



### Scale drawing

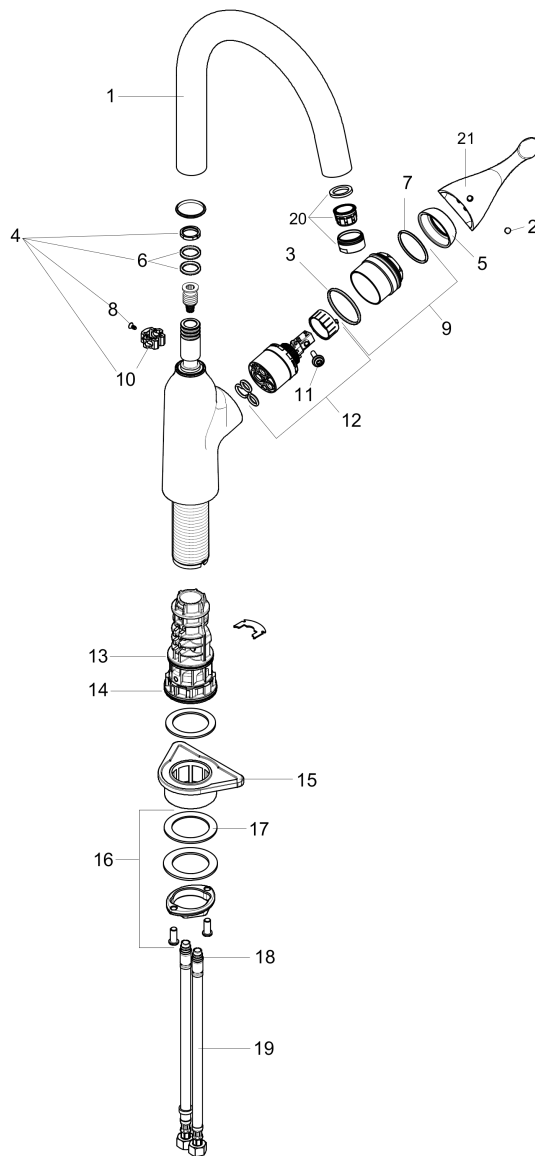


**Allegro N**  
**Bar Faucet, 1.75 GPM**  
 Finishes : **chrome**    Part no. : **71845001**



Exploded drawing

Year of production: >06/19



**Allegro N**  
**Bar Faucet, 1.75 GPM**  
 Finishes : **chrome**    Part no. : **71845001**



**Spare parts list**

Year of production: >06/19

<b>Pos.</b>	<b>Description</b>	<b>Part no.</b>	<b>PC</b>	<b>PU</b>
1	spout cpl.	93347000	0	1
2	screw cover	96338000	0	1
3	O-ring 36x2	98156000	0	1
4	sealing set	92646000	0	1
5	flange	97406000	0	1
6	O-Ring 14x2,5	98189000	0	1
7	O-Ring 32x2	98193000	0	1
8	screw	97662000	0	1
9	nut	93346000	0	1
10	axialring	97558000	0	1
11	locking screw for handle	95140000	0	1
12	cartridge, assy	92730000	0	1
13	O-ring 38x2	98396000	0	1
14	O-ring 44x2,5	98162000	0	1
15	support	97523000	0	1
16	fixing set (Ø 34)	93253000	0	1
17	lever collar	97548000	0	1
18	O-ring 6,6x1,6	93019000	0	1
19	connection hose 35½" M8x0,75 3/8"	96316001	0	1
20	aerator laminar	93649000	0	1
21	handle	93496000	0	1