

Metropol

Metropol 110 Single-Hole Faucet with Loop Handle, 1.2 GPM

Finishes : **chrome** Part no. : **74506001**



Description

Features

- Solid brass
- Aerated spray
- Flow: 1.2 GPM
- Ceramic cartridge
- Includes pop-up assembly

Item details

List Price \$ 400.00

Technology



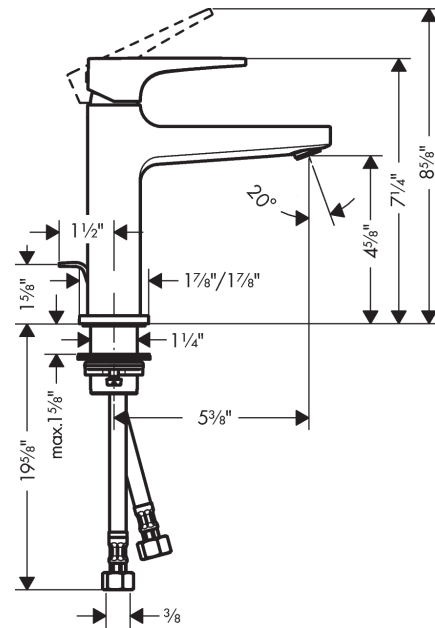
Compliance



Product image



Scale drawing

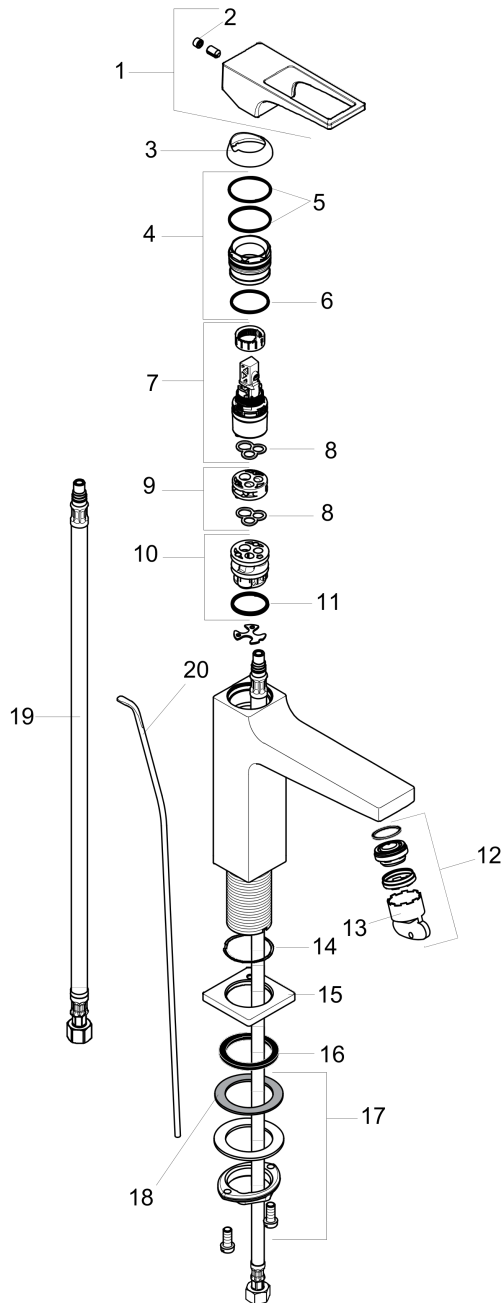


Metropol
Metropol 110 Single-Hole Faucet with Loop Handle, 1.2 GPM
Finishes : **chrome** Part no. : **74506001**



Exploded drawing

Year of production: >10/17



Metropol

Metropol 110 Single-Hole Faucet with Loop Handle, 1.2 GPM

Finishes : **chrome** Part no. : **74506001**



Spare parts list

Year of production: >10/17

Pos.	Description	Part no.	Price	PU
1	handle	93009000	-	1
2	screw cover	95704000	-	1
3	flange	92625000	-	1
4	nut	92689000	-	1
5	O-ring 27x1,5	92527000	-	1
6	O-ring 25x1,5	98146000	-	1
7	cartridge, assy	95973001	-	1
8	seal	98865000	-	1
9	adapter for cartridge	92628000	-	1
10	adapter for cartridge	98866000	-	1
11	O-ring 23x2	98398000	-	1
12	aerator M22x1	93098000	-	1
13	service tool	95661000	-	1
14	O-ring 32x1,5	92936000	-	1
15	escutcheon	93048000	-	1
16	flat seal	98749000	-	1
17	fixing set (Ø 32)	13961000	-	1
18	lever collar	97548000	-	1
19	connection hose 23½" M8x0,75 3/8"	98600001	-	1
20	pull rod	96657000	-	1
a	pop up waste	88509000	-	1