

## Talis S

**Talis S 100 Single-Hole Faucet, 1.2 GPM**

Finishes : **chrome** Part no. : **72020001**



### Description

#### Features

- Solid brass
- Aerated spray
- Flow: 1.2 GPM
- Ceramic cartridge
- Includes pop-up assembly

### Item details

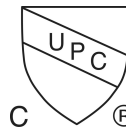
List Price

\$ 244.00

### Technology



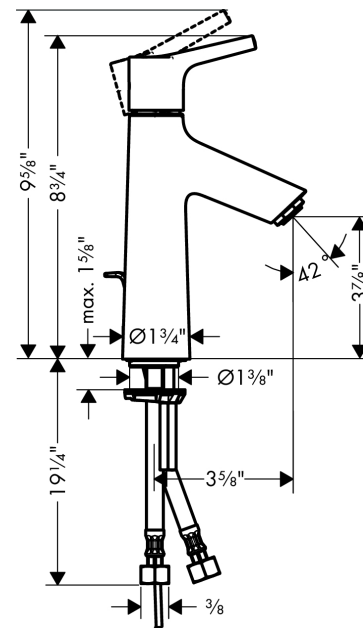
### Compliance



### Product image



### Scale drawing

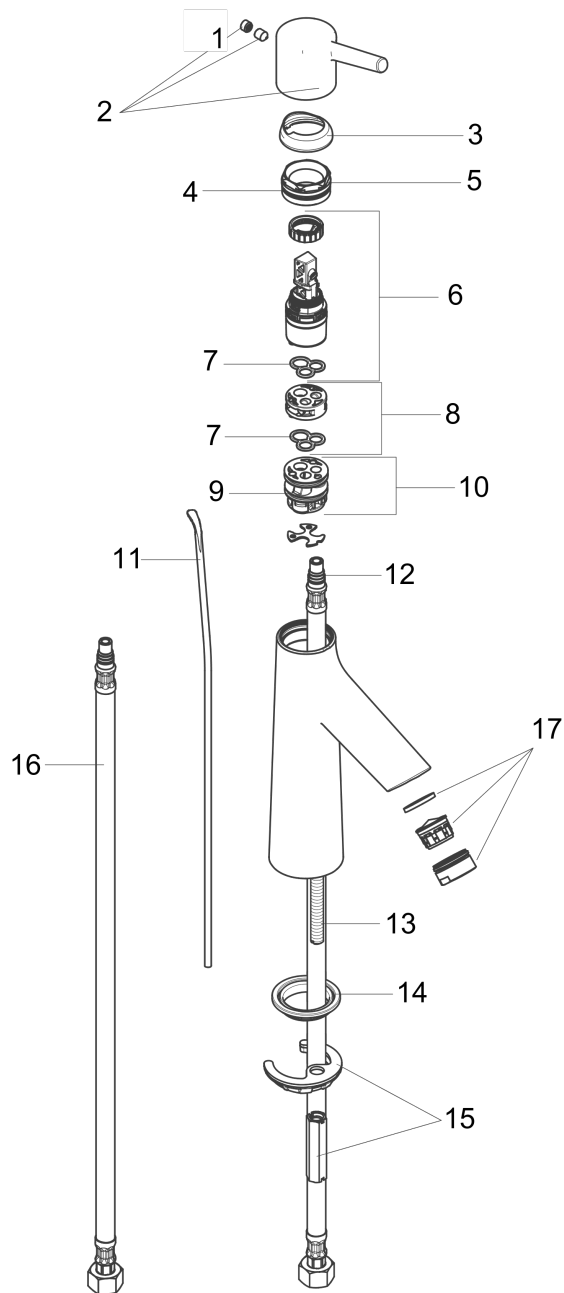


**Talis S**  
**Talis S 100 Single-Hole Faucet, 1.2 GPM**  
Finishes : **chrome**    Part no. : **72020001**



## Exploded drawing

Year of production: >08/16



**Talis S**
**Talis S 100 Single-Hole Faucet, 1.2 GPM**

 Finishes : **chrome**    Part no. : **72020001**

**Spare parts list**

Year of production: &gt;08/16

Pos.	Description	Part no.	Price	PU
1	screw cover	95704000	-	1
2	handle	92626000	-	1
3	flange	92625000	-	1
4	nut	92627000	-	1
5	O-ring 27x1,5	92527000	-	1
6	cartridge, assy	95973001	-	1
7	seal	98865000	-	1
8	adapter for cartridge	92628000	-	1
9	O-ring 23x2	98398000	-	1
10	adapter for cartridge	98866000	-	1
11	pull rod	96657000	-	1
12	O-ring 7x1,5	98422000	-	1
13	screw M8 x 68	97736000	-	1
14	seal Ø 42	98722000	-	1
15	fixing set	96016000	-	1
16	connection hose 18½" M8x0,75 3/8"	96321001	-	1
17	aerator M24x1 (4,5 l/min)	92877000	-	1
a	pop up waste	88509000	-	1