

**Talis E**  
**Talis E 110 Single-Hole Faucet**  
 Finishes : **Chrome**    Part no. : **71710001**



## Description

### Features

- Solid brass
- Aerated spray
- Flow: 1.2 GPM
- Ceramic cartridge
- Includes pop-up assembly

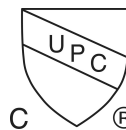
## Item details

List Price \$ 179.00

## Technology



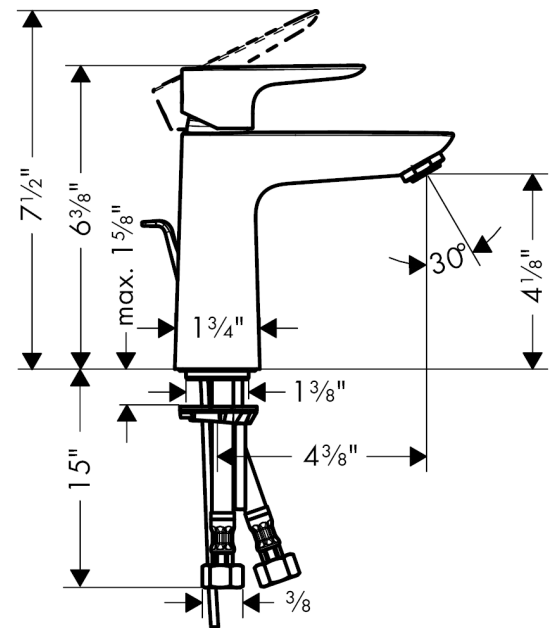
## Compliance



## Product image



## Scale drawing

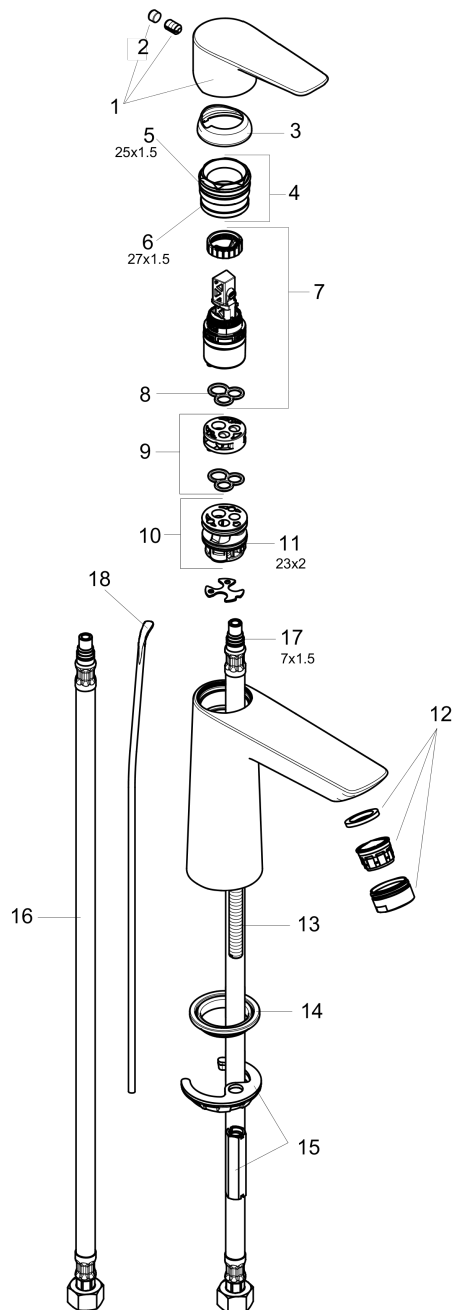


**Talis E**  
**Talis E 110 Single-Hole Faucet**  
Finishes : **Chrome**    Part no. : **71710001**



## Exploded drawing

Year of production: >10/16



**Talis E**

**Talis E 110 Single-Hole Faucet**

Finishes : **Chrome** Part no. : **71710001**



**Spare parts list**

Year of production: >10/16

Pos.	Description	Part no.	Price	PU
1	handle	92687000	-	1
2	screw cover	95704000	-	1
3	flange	92625000	-	1
4	nut	92689000	-	1
5	O-ring 25x1,5	98146000	-	1
6	O-ring 27x1,5	92527000	-	1
7	cartridge, assy	95973001	-	1
8	seal	98865000	-	1
9	adapter for cartridge	92628000	-	1
10	adapter for cartridge	98866000	-	1
11	O-ring 23x2	98398000	-	1
12	aerator M24x1 (4,5 l/min)	92877000	-	1
13	screw M8 x 68	97736000	-	1
14	seal Ø 42	98722000	-	1
15	fixing set	96016000	-	1
16	connection hose 18½" M8x0,75 3/8"	96321001	-	1
17	O-ring 7x1,5	98422000	-	1
18	pull rod	96657000	-	1