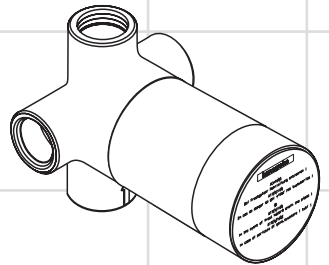


- EN** Installation / User Instructions / Warranty
- FR** Instructions de montage / Mode d'emploi / Garantie
- ES** Instrucciones de montaje / Manejo / Garantía

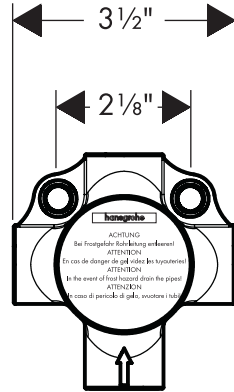
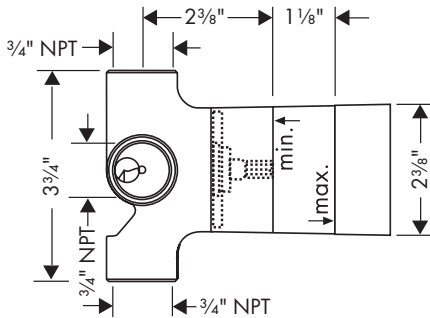


Quattro
15930181

Quattro Green
15936181

Quattro 15930181

Quattro Green 15936181



Installation Considerations

- For best results, Hansgrohe recommends that this unit be installed by a licensed, professional plumber.
- Please read over these instructions thoroughly before beginning installation. Make sure that you have all tools and supplies needed to complete the installation.
- Neither the Quattro nor the Quattro Green has an "off" position.
- Both the Quattro and the Quattro Green must be used in combination with a valve that has a volume control (an "off" position).
- The Quattro and Quattro Green diverters are for use in a three-function shower. **Do not plug any outlet.**
- Quattro diverter 15930181 will allow the use of any function individually or any two simultaneously.
- Quattro Green diverter 15936181 does not permit the use of two functions simultaneously. It will output less than 1 GPM when in the shared position.
- Keep this booklet and the receipt (or other proof of date and place of purchase) for this product in a safe place. The receipt is required should it be necessary to request warranty parts.

À prendre en considération pour l'installation

- Pour de meilleurs résultats, Hansgrohe recommande que ce produit soit installé par un plombier professionnel licencié.
- Veuillez lire attentivement ces instructions avant de procéder à l'installation. Assurez-vous de disposer de tous les outils et du matériel nécessaires pour l'installation.
- Les inverseurs Quattro et Quattro Green n'est pas muni d'une position d'arrêt (« off »).
- Les Quattro et Quattro Green doivent être utilisés conjointement avec un robinet muni d'un contrôle de débit (une position « off »).
- Les déviateurs Quattro et Quattro Green sont conçus pour être utilisés dans les douches à trois fonctions. Ne placez de bouchon sur aucune des sorties.
- Le déviateur Quattro 15930181 permet d'utiliser n'importe quelle fonction individuellement ou d'en utiliser deux à la fois.
- Le déviateur Quattro Green 15936181 ne permet pas d'utiliser deux fonctions à la fois. Il produirait un débit inférieur à 1 GPM sur la position partagée.
- Conservez ce livret et le reçu (ou une autre preuve sur laquelle figurent la date et l'endroit de l'achat) pour ce produit dans un endroit sûr. Le reçu est requis si vous commandez des pièces sous garantie.

Consideraciones para la instalación

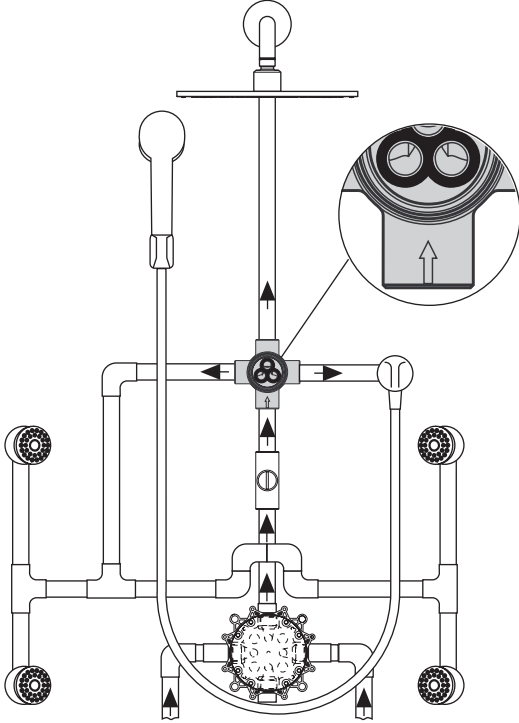
- Para obtener mejores resultados, la instalación debe estar a cargo de un plomero profesional matriculado.
- Antes de comenzar la instalación, lea estas instrucciones detenidamente. Asegúrese de tener las herramientas y los insumos necesarios para completar la instalación.
- Los derivadores Quattro y Quattro Green no tiene posición "off" (cerrado).
- Tanto Quattro como Quattro Green deben utilizarse en combinación con una válvula que tenga control de volumen (una posición "off" [apagado]).
- Los derivadores Quattro y Quattro Green son para uso en duchas con triple función. No tapone ninguna salida.
- El derivador Quattro 15930181 le permitirá el uso de cualquier función por separado o dos de ellas en simultáneo.
- El derivador Quattro Green 15936181 no permite el uso de dos funciones en simultáneo. Operará a menos de 1 GPM en la función compartida.
- Mantenga este folleto y el recibo (u otro comprobante del lugar y fecha de compra) de este producto en lugar seguro. El recibo se requiere en caso de ser necesario solicitar piezas bajo garantía.

Installation Suggestions

Three-feature installation

Système à trois fonctions

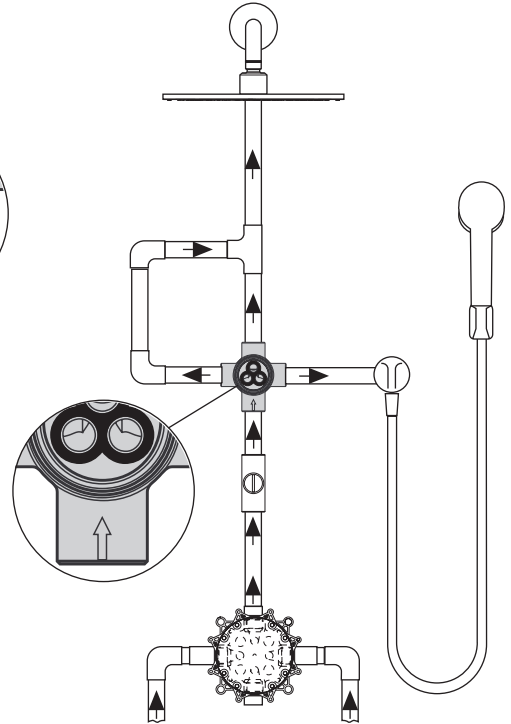
Sistema a tres funciones



Special piping – two feature installation

Raccordement spécial – système à deux fonctions

Conexiyn especial - sistema a dos funciones



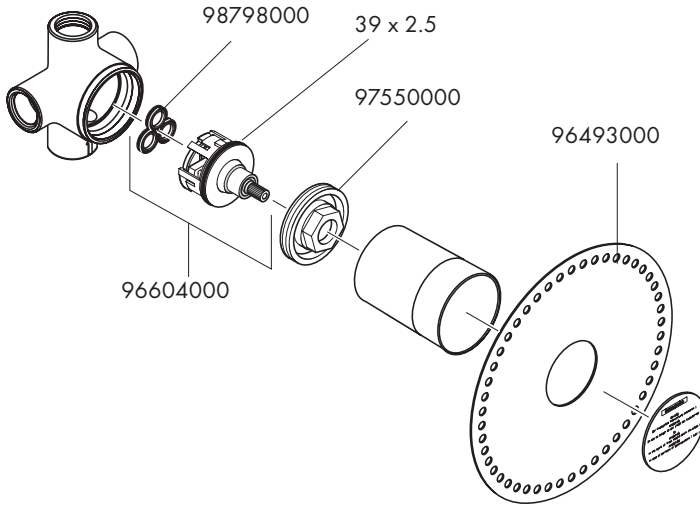
Do not plug any outlet on the Quattro!

Ne mettez de bouchon sur aucune des sorties!

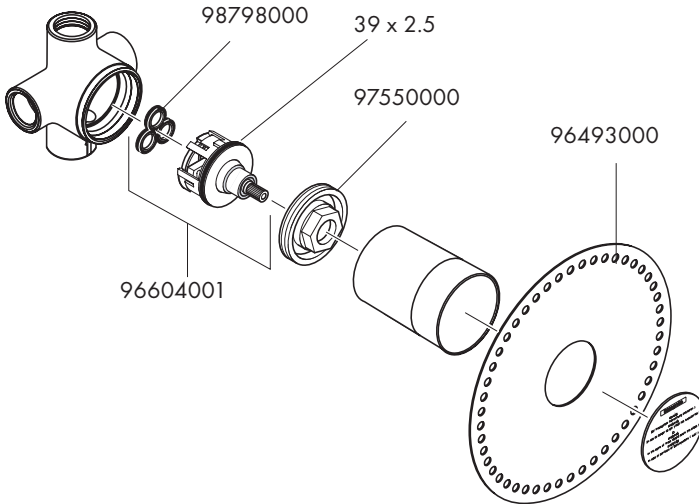
¡No ponga corcho sobre ninguna de las salidas!

Replacement Parts / Pièces détachées / Repuestos

Quattro 15930181



Quattro Green 15936181




English

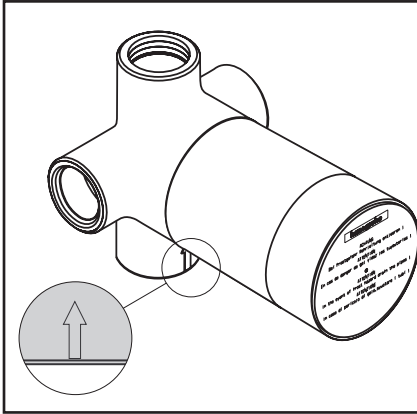
Installation

Flush the lines thoroughly before installing the valve.

 **Damage to the cartridge caused by debris is not covered under the Hansgrohe USA warranty.**

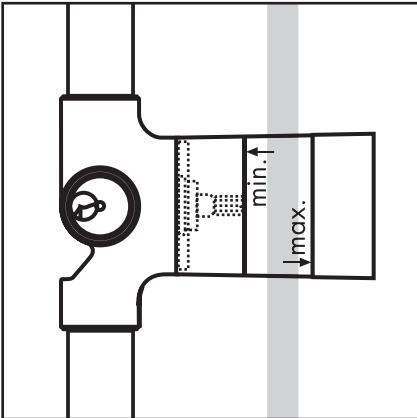
An arrow showing the direction of the water flow is cast into the valve body.

 **The water must flow through the valve in that direction or damage to the cartridge will occur.**



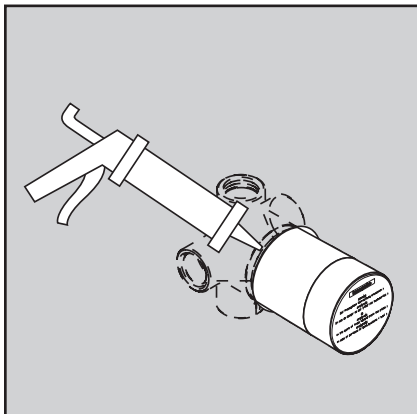
Install the valve so that the outside surface of the **finished** wall falls between the “minimum” and “maximum” lines marked on the plaster shield.

 **Do not remove the plaster shield from the valve.**



When the drywall or green board is installed, **seal the opening around the Quattro / Quattro Green with waterproof sealant.**

 **Failure to seal the opening may result in water damage.**



Installation

Rincez abondamment les conduites avant d'installer la valve.



La garantie É.-U. Hansgrohe ne couvre pas les dommages causés aux cartouches par les dépôts ou impuretés.

Une flèche indiquant la direction du débit figure sur le corps de la valve.



Si l'eau ne coule pas dans la valve dans cette direction, la cartouche sera endommagée.

Installez la valve de façon à ce que la surface extérieure du mur fini tombe entre les lignes « minimum » et « maximum » figurant sur le protecteur de plâtre.



Ne retirez pas le protecteur de plâtre de la valve.

Une fois la cloison sèche ou la céramique installée, scellez l'ouverture autour de l'inverseur Quattro / Quattro Green à l'aide d'un agent d'étanchéité.



Si l'ouverture n'est pas scellée, l'eau pourrait éventuellement causer des dommages.

Instalación

Lave a fondo las tuberías antes de instalar la válvula.



Los daños al cartucho causados por los desechos no están cubiertos por la garantía de Hansgrohe para EE.UU.

En el cuerpo de la válvula está fundida una flecha que muestra el sentido del flujo de agua.



El agua debe circular por la válvula en ese sentido, puesto que de lo contrario puede dañarse el cartucho.

Instale la válvula de modo que la superficie exterior de la pared terminada quede entre las líneas "min" y "max" marcadas en el protector de yeso.



No retire el protector de yeso de la válvula.

Cuando se instale la tabla roca o panel verde, selle la abertura alrededor del Quattro / Quattro Green con un sellador impermeable.



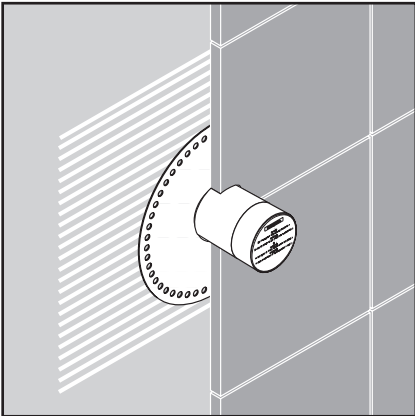
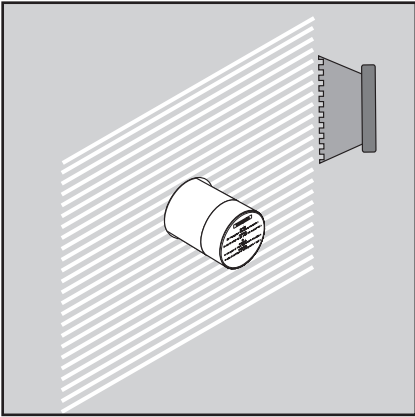
Si la abertura no se sella, pueden producirse daños por acción del agua.

English

Apply adhesive (not included) to the wall around the valve.

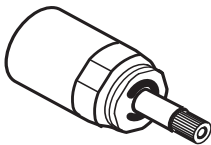


Do not use hot glue as it will damage the gasket.



Install the gasket over the Quattro / Quattro Green.

Install the finished wall material (tile, etc.) over the gasket.



If the outside surface of the finished wall extends beyond the "maximum" marking on the plaster shield, order extension 96370000 through your Hansgrohe dealer.

Français

Appliquez un adhésif (non compris) sur le mur autour de la valve.



N'utilisez pas de colle chaude car vous pourriez endommager le joint.

Installez le joint sur l'inverseur Quattro / Quattro Green.

Installez le matériel de finition du mur (carreaux, etc.) par-dessus le joint.

Si la surface extérieure du mur fini va au-delà de la marque « maximum » du protecteur de plâtre, commandez une rallonge 96370000 auprès de votre détaillant Hansgrohe.

Español

Aplique adhesivo (no incluido) a la pared alrededor de la válvula.



No use cola caliente, puesto que daña la junta.

Instale la junta sobre el Quattro / Quattro Green.

Instale el material de la pared terminada (azulejo, etc.) sobre la junta.

Si la superficie exterior de la pared terminada se extiende más allá de la marca de "máximo" del protector de yeso, solicite la extensión 96370000 al concesionario de Hansgrohe.

Limited Consumer Warranty

This product has been manufactured and tested to the highest quality standards by Hansgrohe, Inc. ("Hansgrohe"). This warranty is limited to Hansgrohe products that are purchased by a consumer in the United States or Canada after March 1, 1996, and installed in either in the United States or in Canada.

WHO IS COVERED BY THE WARRANTY

This warranty extends to the original purchaser only. This warranty is non-transferable.

WHAT IS COVERED BY THE WARRANTY

The warranty covers only your Hansgrohe manufactured product. Hansgrohe warrants this product against defects in material or workmanship as follows:

Hansgrohe will replace at no charge for parts only or, at its option, replace any product or part of the product that proves defective because of improper workmanship and/or material, under normal installation, use, service and maintenance. If Hansgrohe is unable to provide a replacement and repair is not practical or cannot be made in timely fashion, Hansgrohe may elect to refund the purchase price in exchange for the return of the product.

LENGTH OF WARRANTY

Replacement or repaired parts of products will be covered for the term of this warranty, as stated in the following two sentences. If you are a consumer who purchased the product for use primarily for personal, family or household purposes, this warranty extends for as long as you own the product and the home in which the product is originally installed. If you purchased the product for use primarily for any other purpose, including, without limitation, a commercial purpose, this warranty extends only (i) for 1 year, with respect to Hansgrohe & Commercial products, and (ii) for 5 years, with respect to Axor products.

THIS WARRANTY DOES NOT COVER, AND HANSGROHE WILL NOT PAY FOR:

- A. Conditions, malfunctions or damage not resulting from defects in material or workmanship.
- B. Conditions, malfunctions or damage resulting from (1) normal wear and tear, improper installation, improper maintenance, misuse, abuse, negligence, accident or alteration; (2) the use of abrasive or caustic cleaning agents or "no-rinse" cleaning products, or the use of the product in any manner contrary to the product instructions; or (3) conditions in the home such as excessive water pressure or corrosion.
- C. Labor and other expenses for disconnection, deinstallation, or return of the product for warranty service (including but not limited to proper packaging and shipping costs), or for installation or reinstallation of the product.
- D. Accessories, connected materials and products, or related products not manufactured by Hansgrohe.
- E. Any Hansgrohe or Axor product sold for display purposes.
- F. Rubbed Bronze finish is subject to a 3-year limited warranty. Chrome and all PVD finishes are covered by the limited lifetime warranty.
- G. Hansgrohe Water Filtration System is subject to a 1-year limited warranty. Warranty does not include replacement filters.

TO OBTAIN WARRANTY PARTS OR INFORMATION

Contact your Hansgrohe retailer, or contact Technical Service at:

Hansgrohe, Inc.
1492 Bluegrass Lakes Parkway
Alpharetta, GA 30004
Toll-free 800-334-0455

In requesting warranty service, you will need to provide:

1. The sales receipt or other evidence of the date and place of purchase.
2. A description of the problem.
3. Delivery of the product or the defective part, postage prepaid and carefully packed and insured, to:

Hansgrohe, Inc.
1492 Bluegrass Lakes Parkway
Alpharetta, GA 30004
Toll-free 800-334-0455

When warranty service is completed, any repaired or replacement product or part will be returned to you postage prepaid.

EXCLUSIONS AND LIMITATIONS

REPAIR OR REPLACEMENT (OR, IN LIMITED CIRCUMSTANCES, REFUND OF THE PURCHASE PRICE) AS PROVIDED UNDER THIS WARRANTY IS THE EXCLUSIVE REMEDY OF THE PURCHASER. HANSGROHE NEITHER ASSUMES NOR AUTHORIZES ANY PERSON TO CREATE FOR IT ANY OTHER OBLIGATION OR LIABILITY IN CONNECTION WITH THIS PRODUCT. HANSGROHE SHALL NOT BE LIABLE TO PURCHASER OR ANY OTHER PERSON FOR ANY INCIDENTAL, SPECIAL OR CONSEQUENTIAL DAMAGES, ARISING OUT OF BREACH OF THIS WARRANTY OR ANY IMPLIED WARRANTY (INCLUDING BUT NOT LIMITED TO ANY IMPLIED WARRANTY OF MERCHANTABILITY).

Some States do not allow the exclusion or limitation of incidental or consequential damages, so the above limitation or exclusion may not apply to you. This warranty gives you specific legal rights, and you may also have other rights that vary from state to state.

TO THE EXTENT PERMITTED BY LAW, ANY IMPLIED WARRANTIES OF MERCHANTABILITY AND FITNESS FOR A PARTICULAR PURPOSE, ARE LIMITED TO THE DURATION OF THE EXPRESS WARRANTY.

Some states do not allow limitations on how long an implied warranty may last, so the above limitations may not apply to you. You may be required by law to give us a reasonable opportunity to correct or cure any failure to comply before you can bring any action in court against us under the Magnuson-Moss Warranty Act.

PRODUCT INSTRUCTIONS AND QUESTIONS

Upon purchase or prior to installation, please carefully inspect your Hansgrohe product for any damage or visible defect. Prior to installing, always carefully study the enclosed instructions on the proper installation and the care and maintenance of this product. If you have questions at any time about the use, installation or performance of your Hansgrohe product, or this warranty, please write us or call us toll-free at 800-334-0455.

hansgrohe

Hansgrohe, Inc. • 1490 Bluegrass Lakes Parkway • Alpharetta, GA 30004
Tel. 770-360-9880 • Fax 770-360-9887

www.hansgrohe-usa.com