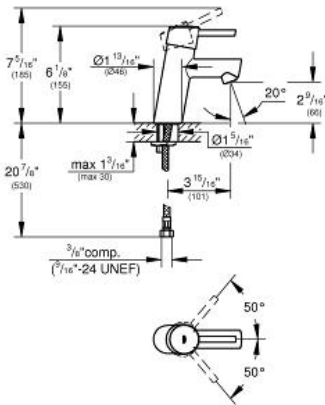


CONCETTO Lavatory Centerset S-Size

MODEL # 3427100A

GROHE America, Inc | 200 North Gary Avenue, Suite G, Roselle, IL 60172
Phone: +1 (800) 444-7643 | Fax: +1 (800) 225-2778 | us-customerservice@grohe.com

Pure Freude an Wasser



ADA

Product Description: Lavatory Centerset S-Size

Standard Specification:

- GROHE EcoJoy technology for less water and perfect flow
- Single hole installation
- Metal lever handle
- GROHE SilkMove 28 mm ceramic cartridge
- GROHE StarLight chrome finish
- Flow control
- Smooth body
- Stainless steel flex lines
- GROHE QuickFix installation system with centering support
- Optional temperature limiter
- Max flow rate: 1.2 gpm (4.56 L/min)

Applicable Codes & Standards:

- EPA WaterSense®

Color:

- 3427100A chrome

