

39674000

ESSENCE

TWO-PIECE ELONGATED DUAL FLUSH TOILET



STANDARD SPECIFICATION:

- Elongated bowl design
- Made of vitreous china in Alpine White
- 12" (305 mm) rough-in
- Siphon action jetted bowl with smooth-sided, concealed trapway
- High efficiency, low consumption 1.28 gpf/4.8 Lpf conserving flush 1.0 gpf/3.8 Lpf
- InfinaBright™ surface coating reduces dirt and bacteria build-up ensuring the surface shines longer
- DreamClean™ Rim scrubs the top to bottom with every flush
- 16-1/2" (419 mm) rim height
- Fully-glazed 2-1/8" (54 mm) trapway
- 3" (76 mm) flush valve
- Includes slow-close telescoping seat
- Chrome top mounted push button actuator
- Color-matched bolt hole covers




COMPONENTS:

- 39737000 - Elongated Toilet Seat: Slow-Close, Top-mount, Easy Lift Off, Telescoping
- 39678000 - Tank: 1.0/1.28 gpf 12" rough-in complete with coupling components and tank trim
- 39677000 - Right Height Elongated Bowl with Seat
- 39672000 - Tank Cover
- 49139EN0 - Essence Dual Flush Actuator Brushed Nickel

APPLICABLE CODES & STANDARDS:



- Watersense
- CEC and CALGreen® Compliant

 CALGreen® is a registered trademark of California Building Standards Commission.

NOTE: Install this product according to the installation guide. ADA, CSA compliant when installed to the specific requirements of these regulations.

39674000
ESSENCE
TWO-PIECE ELONGATED
DUAL FLUSH TOILET



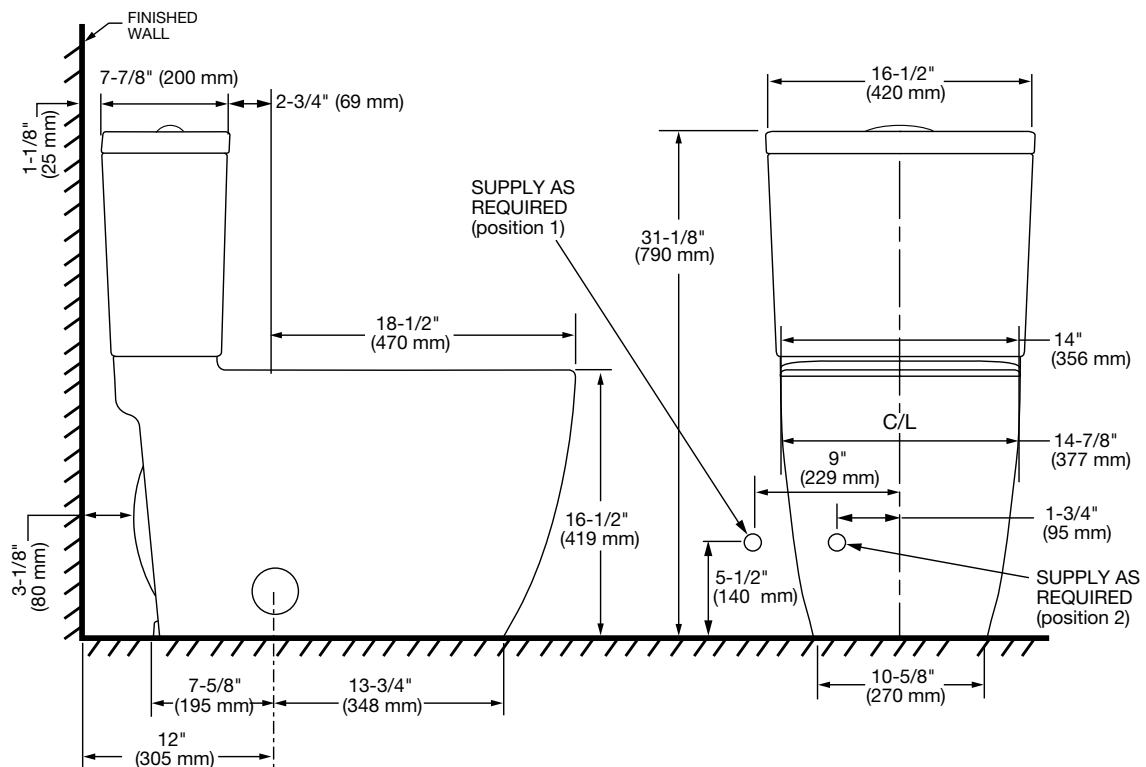
TECHNICAL DATA:

DIMENSIONS:

NOMINAL DIMENSIONS
 29-1/2" x 16-9/16" x 31-1/8"
 (738 x 420 x 790 mm)

WATER SPOT

7-7/8" (200 mm) wide
 9-1/4" (235 mm) length
 5-1/2" (140 mm) distance to rim



NOTES:

This toilet is designed to rough-in at a minimum dimension of 12" (305 mm) from finished wall to C/L of outlet. Supply not included with fixture and must be ordered separately. Dimensions shown for location of supply is suggested.

IMPORTANT:

Dimensions of fixtures are nominal and may vary within the range of tolerance established by ANSI Standard A112.19.2. These measurements are subject to change or cancellation. No responsibility is assumed for use of superseded or voided pages.