

### Double Swing Towel Bar

# 4522S

#### Features

- Solid brass construction
- Complements Columnar product series

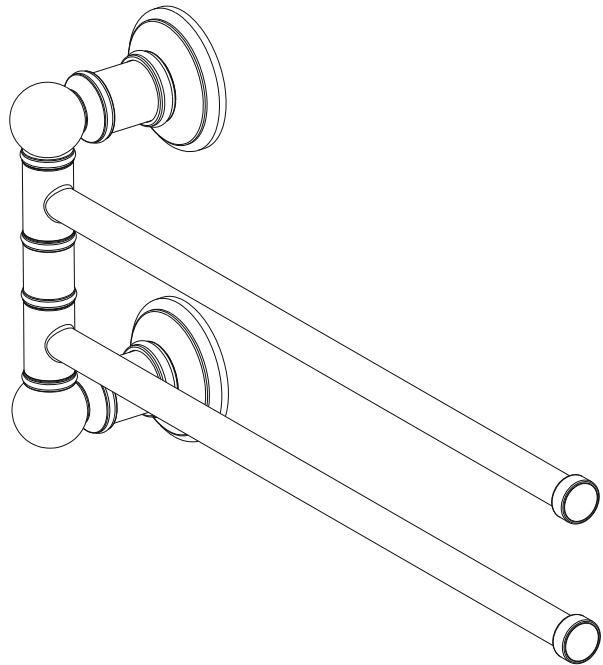
#### Codes / Standards Compliance

Meets or exceeds the following at date of manufacture:

- All applicable US Federal and State material regulations

#### Colors / Finishes

- PN: Polished Nickel
- SN: Satin Nickel
- PC: Polished Chrome
- ORB: Oil Rubbed Bronze
- Other: NA



#### Specified Model

Model	Description	Colors   Finishes			
4522S	Double Swing Towel Bar	<input type="checkbox"/> PN	<input type="checkbox"/> SN	<input type="checkbox"/> PC	<input type="checkbox"/> ORB

#### Product Specification: Add "Length Indicator and Color / Finish" suffix to Model number, below.

The Double Swing Towel Bar shall be made of solid brass construction. Double Swing Towel Bar shall complement Ginger Columnar product series. Double Swing Towel Bar shall be Ginger Model 4522S/\_\_\_\_ .

# 4522S

## Product Dimensions *(units are in inches)*

