

Toilet Tissue Holder 4527

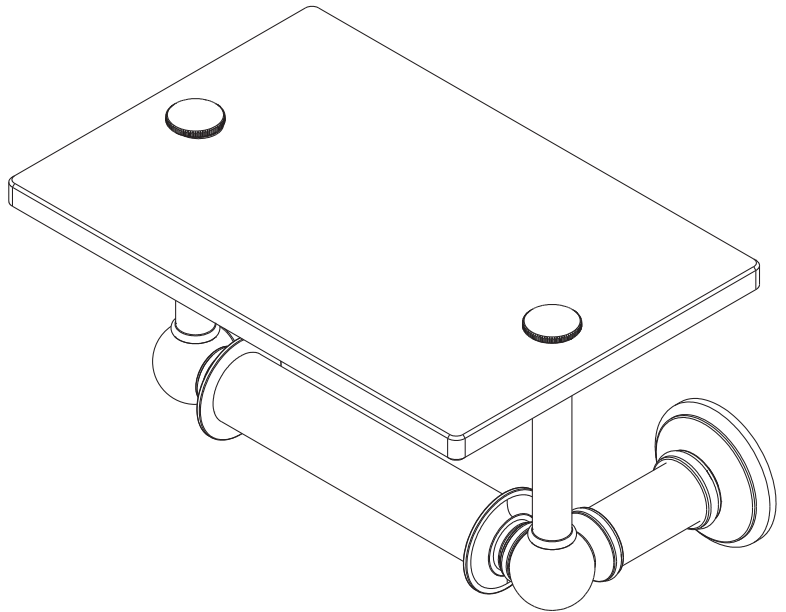
Features

- Solid brass construction
- Double-post design with spring-loaded, non-separating roller and tempered glass shelf
- Complements Columnar product series

Codes / Standards Compliance

Meets or exceeds the following at date of manufacture:

- All applicable US Federal and State material regulations



Colors / Finishes

- ORB: Oil Rubbed Bronze
- PC: Polished Chrome
- PN: Polished Nickel
- SN: Satin Nickel

Specified Model

Model	Description	Colors Finishes
4527	Toilet Tissue Holder with Glass Shelf	<input type="checkbox"/> ORB <input type="checkbox"/> PC <input type="checkbox"/> PN <input type="checkbox"/> SN

Product Specification: Add "Color / Finish" Suffix to Model Number Below.

The Toilet Tissue Holder shall be made of solid brass construction and incorporate a double-post design utilizing a non-separating, spring-loaded roller and tempered glass shelf. Toilet Tissue Holder shall complement Ginger Columnar product series. Toilet Tissue Holder shall be Ginger Model 4527/_____.

4527

Product Dimensions *(units are in inches)*

