

### Toilet Tissue Holder 4508N

#### Features

- Solid brass construction
- Double-post design with spring-loaded, non-separating roller
- Complements Columnar product series

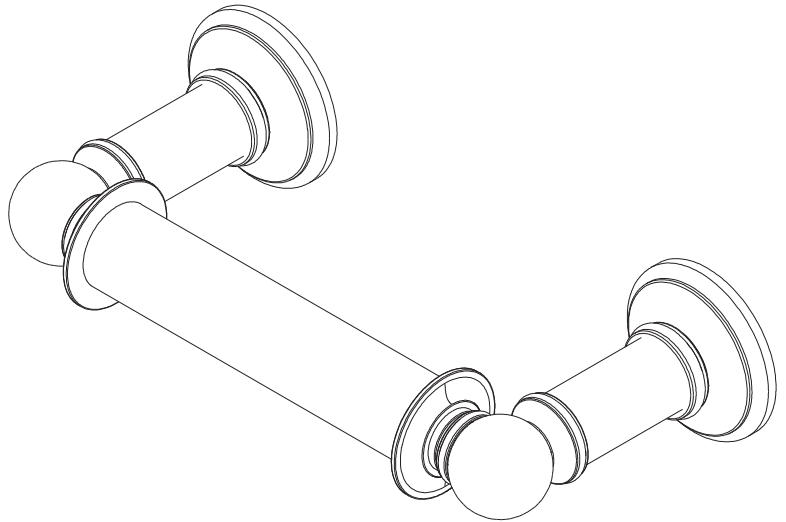
#### Codes / Standards Compliance

Meets or exceeds the following at date of manufacture:

- All applicable US Federal and State material regulations

#### Colors / Finishes

- ORB: Oil Rubbed Bronze
- PC: Polished Chrome
- PN: Polished Nickel
- SN: Satin Nickel



#### Specified Model

Model	Description	Colors   Finishes
4508N	Toilet Tissue Holder	<input type="checkbox"/> ORB <input type="checkbox"/> PC <input type="checkbox"/> PN <input type="checkbox"/> SN

#### Product Specification: Add "Color / Finish" Suffix to Model Number Below.

The Toilet Tissue Holder shall be made of solid brass construction and incorporate a double-post design utilizing a non-separating, spring-loaded roller. Toilet Tissue Holder shall complement Ginger Columnar product series. Toilet Tissue Holder shall be Ginger Model 4508N/\_\_\_\_\_.

# 4508N

**Product Dimensions** *(units are in inches)*

