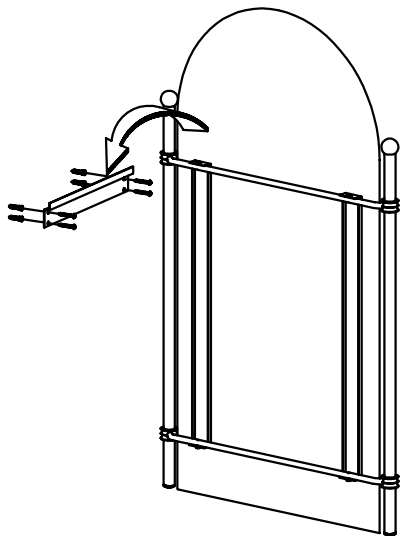
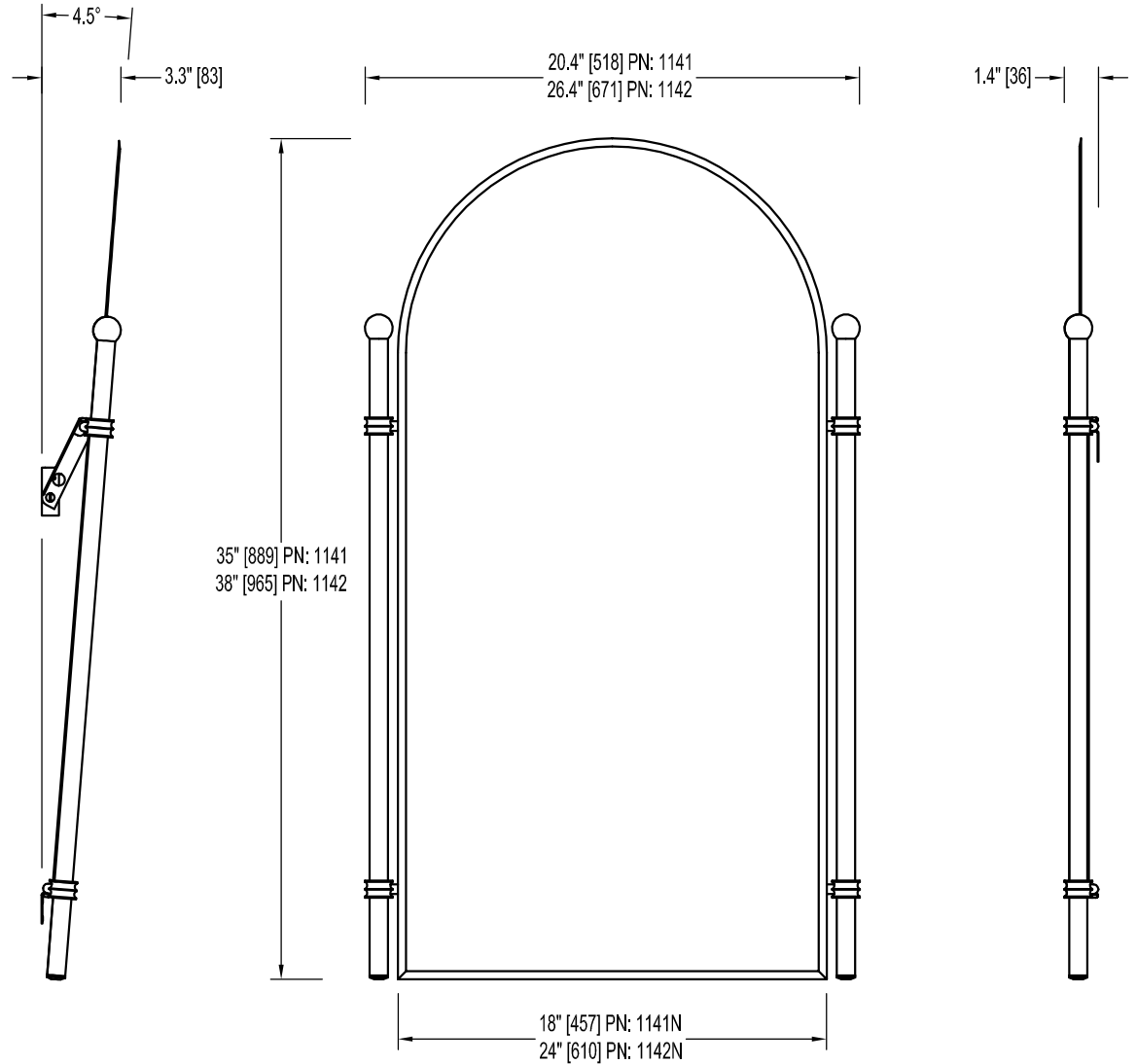


SHOWN WITH TILTING OPTION



SHOWN WITH STANDARD MOUNT



SHOWN WITH OPTIONAL  
MTM-009 TILTING MECHANISM

SHOWN WITH STANDARD MOUNT

CHELSEA MIRRORS

DESCRIPTION	PART NO.
SMALL FRAMED (20.4" W)	1141
LARGE FRAMED (26.4" W)	1142
SMALL FRAMELESS (18" W)	1141N
LARGE FRAMELESS (24" W)	1142N

ACCESSIBLE WITH TILTING MECHANISM

FINISHES: 3-POL. BRASS, 10B-OIL RUB. BRONZE, 14-POL. NICKEL, 15-SATIN NICKEL, 15A-ANT. NICKEL, 26-POL. CHROME, 26/3-COMBO		
MATERIAL: SOLID BRASS TRIM, GLASS MIRROR, PLATED STEEL HARDWARE		
PART NO. 1141 ~ 1142		WEIGHT: (18" - 1141) 9 LBS. 3 OZ. [4.1 KG.]
MIRROR		DWG. NO. PD-1141
DATE: 05.NOV.01	REV.	SCALE 1:8 CHELSEA