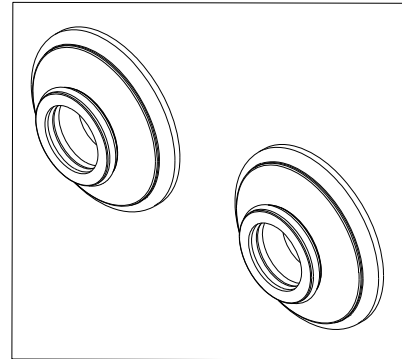
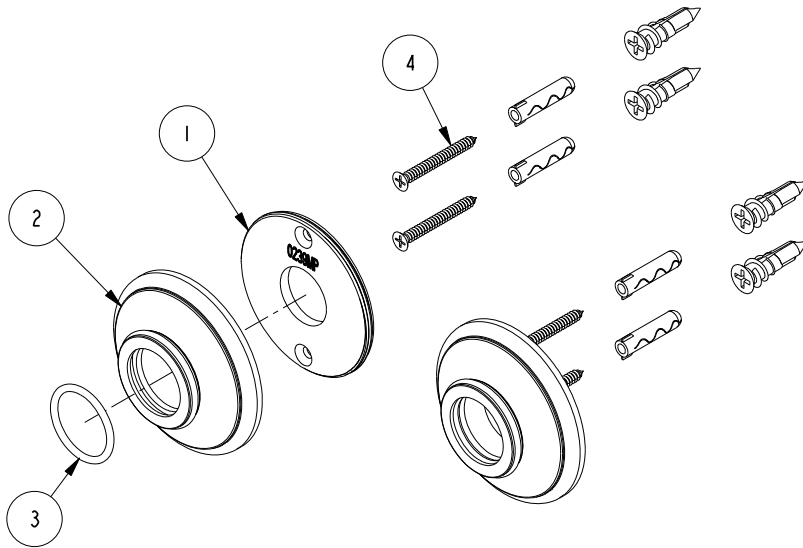


NOTES:

(NI) 1. FIT / FORM / FUNCTION SHALL FOLLOW PS-E.008.

BILL OF MATERIAL (CURRENT LEVEL)

ITEM	PT/ASSY	DESCRIPTION	TYPE	QTY.
1	0239MP	MOUNTING PLATE	PART	2
2	4500S	SHOWER ROD ROSETTE	PART	2
3	91073	O-RING, #2-120, EPDM, 65-75 DURO	PART	2
4	1-206	HARDWARE PACK	ASSEMBLY	2



TESTING	-	-	-
ASSEMBLY	-	-	-
PLATING	-	-	-
POLISHING	-	NEXT ASSY	USED ON
MACHINING	-	APPLICATION	
TOOLING	FIXTURE #	REMOVE ALL BURRS AND SHARP EDGES	

UNITS ARE: INCHES [MM]	
TOLERANCES ARE:	
FRACTIONS	DECIMALS
±1/16"	±.005
.X ±.1 [2,5]	±1°
.XX ±.06 [1,5]	
(X.XXX) DENOTES CRITICAL DIMS.	
ALL THREADS ARE CRITICAL	
DRAWN	R.S. 10/26/15
CHECKED	J.M. 10/26/15
APPROVED	J.M. 10/26/15

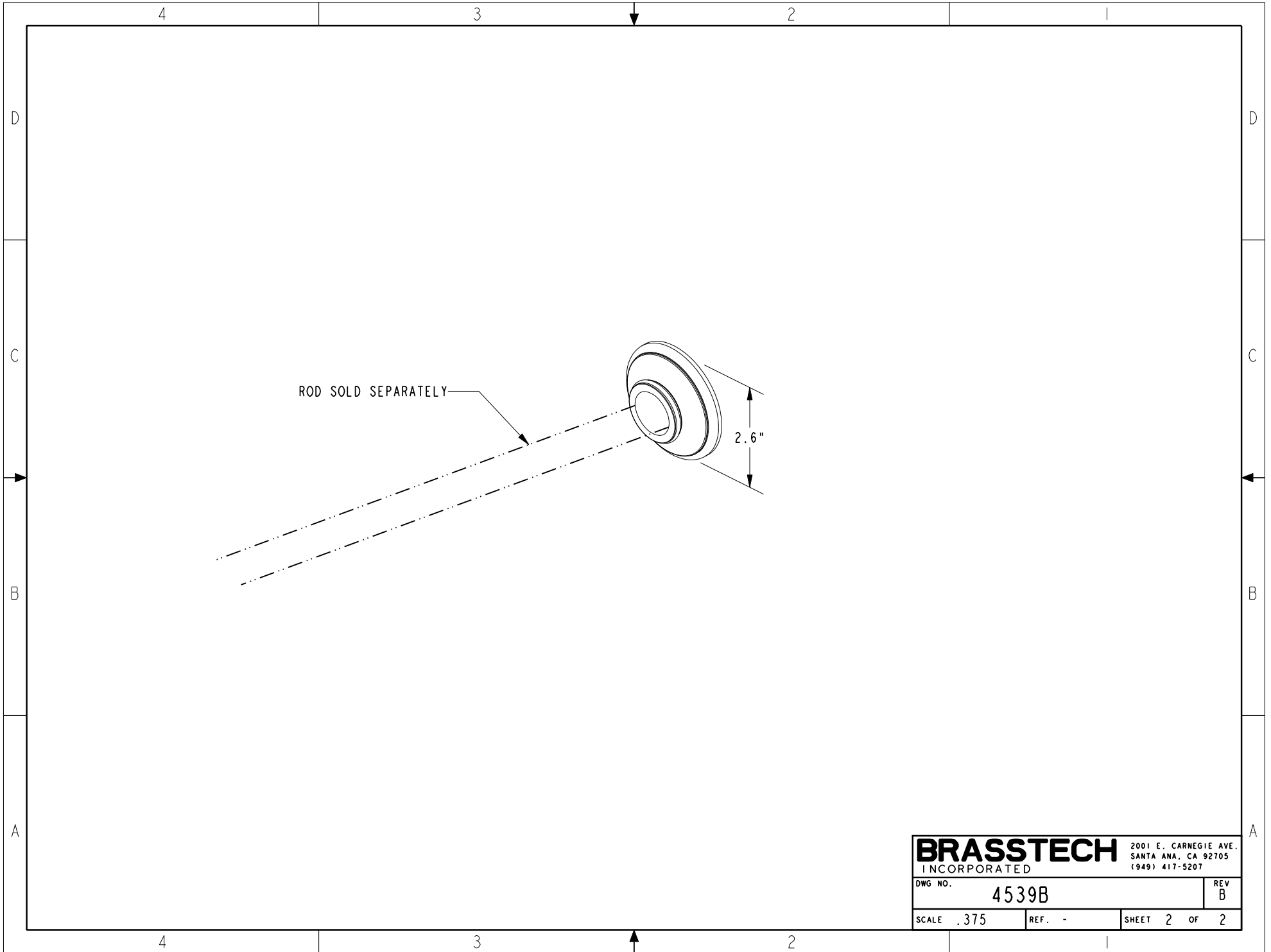
BRASSTECH 2001 CARNEGIE AVE.
INCORPORATED SANTA ANA, CA 92705
(949) 417-5207

SHOWER ROD BRACKETS

DWG NO.	4539B	REV	B
SCALE	.375	REF.	-
SHEET	1	OF	2

COPYRIGHT 2005 BRASSTECH, INC.
THESE DRAWINGS AND THE DESIGNS
DEPICTED HEREIN ARE THE PROPRIETARY
PROPERTY OF BRASSTECH. ANY USE
OR REPRODUCTION IS SUBJECT TO
THE EXPRESS APPROVAL OF BRASSTECH.
UNAUTHORIZED USE IS STRICTLY
PROHIBITED. ALL RIGHTS RESERVED.

REV	DESCRIPTION	DATE	APPROVED
B	EN-2964	10/26/15	J.M.
A	-	07/03/08	-
-	-	01/05/07	-



BRASSTECH		2001 E. CARNEGIE AVE.
INCORPORATED		SANTA ANA, CA 92705
		(949) 417-5207
DWG NO.	4539B	REV B
SCALE .375	REF. -	SHEET 2 OF 2