

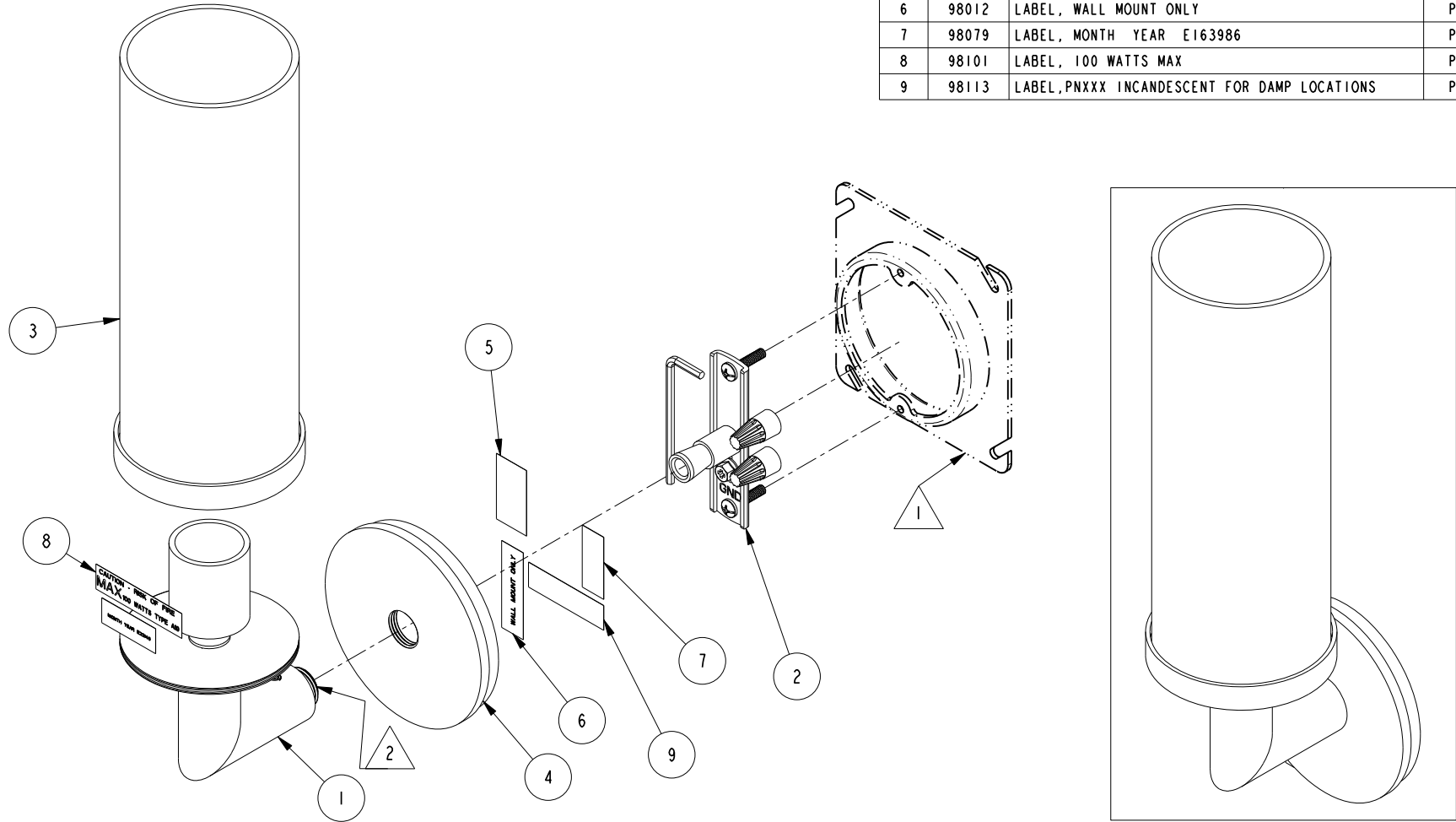


NOTES:

-  PART NO DWRR SOLD SEPARATELY
-  APPLY PERMANENT THREAD LOCKER (LOCTITE 680)

BILL OF MATERIAL (CURRENT LEVEL)

ITEM	PT/ASSY	DESCRIPTION	TYPE	QTY.
1	3681-BAW	BODY ASSEMBLY	ASSEMBLY	1
2	3681-CB	LIGHT MOUNTING KIT	ASSEMBLY	1
3	3681-G-O	SHADE ASSEMBLY	ASSEMBLY	1
4	3681-RB	BASE	PART	1
5	98006	LABEL, UL LISTED	PART	1
6	98012	LABEL, WALL MOUNT ONLY	PART	1
7	98079	LABEL, MONTH YEAR E163986	PART	2
8	98101	LABEL, 100 WATTS MAX	PART	1
9	98113	LABEL,PNXXX INCANDESCENT FOR DAMP LOCATIONS	PART	1



COPYRIGHT 2005 GINGER. THESE DRAWINGS AND THE DESIGNS DEPICTED HEREIN ARE THE PROPRIETARY PROPERTY OF GINGER. ANY USE OR REPRODUCTION IS SUBJECT TO THE EXPRESS APPROVAL OF GINGER. UNAUTHORIZED USE IS STRICTLY PROHIBITED. ALL RIGHTS RESERVED.

GINGER

2001 E. CARNEGIE AVE.
SANTA ANNA CA 92705
(949) 417-5207

SINGLE LIGHT W/SMALL BASE

ASSY. NO.

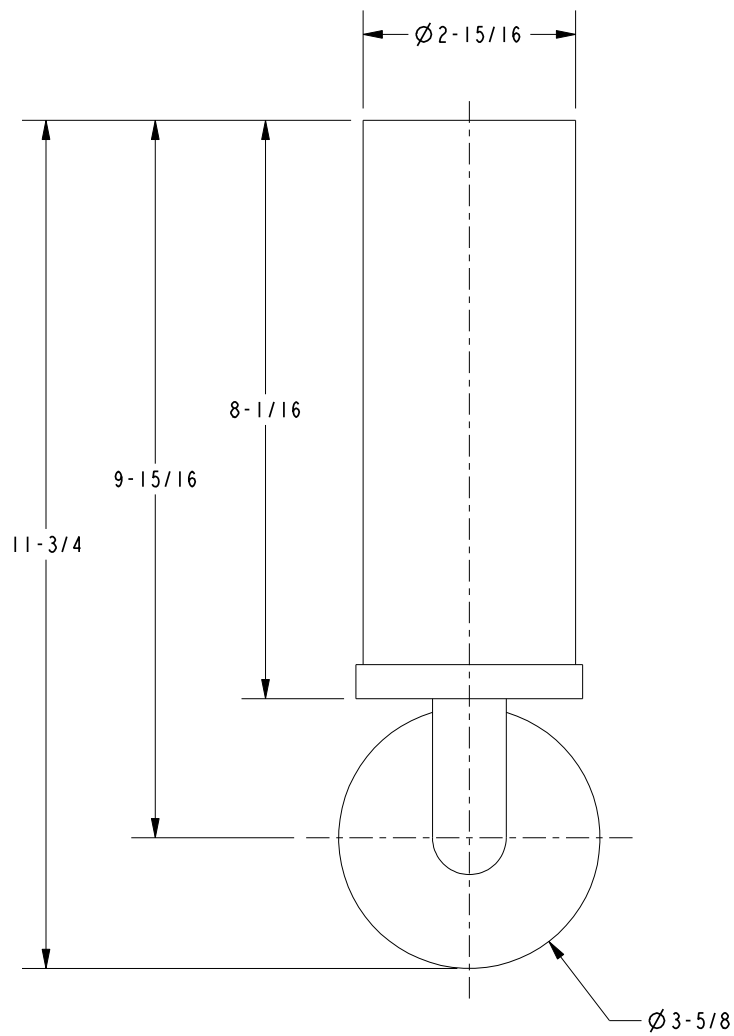
4681


A EN-2574 08/06/13

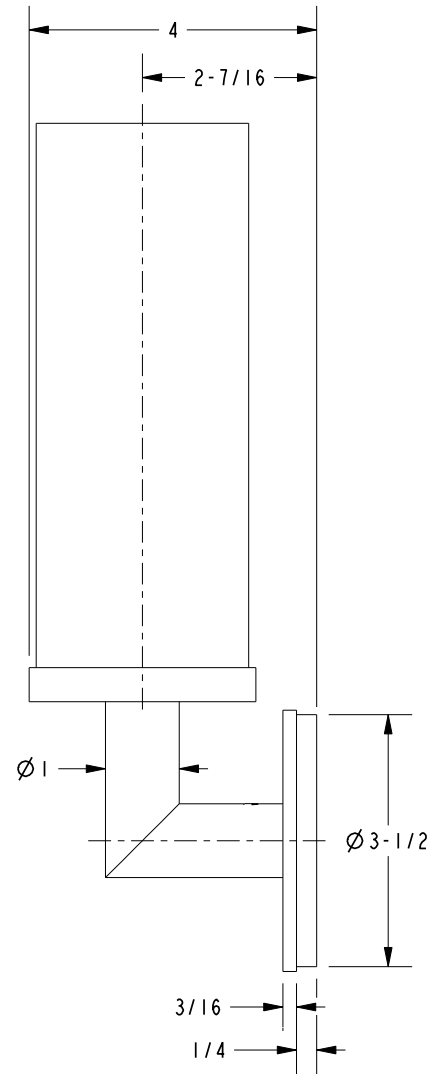
- EN-1674 06/08/11

SCALE .375 REF. - SHEET 1 OF 2 REV REV DESC DATE

SPECIFICATION DWG



ADA compliant 



DIMENSIONS ARE IN INCHES AND AN APPROXIMATION OF A TYPICAL INSTALLATION

COPYRIGHT 2005 GINGER. THESE DRAWINGS AND THE DESIGNS DEPICTED HEREIN ARE THE PROPRIETARY PROPERTY OF GINGER. ANY USE OR REPRODUCTION IS SUBJECT TO THE EXPRESS APPROVAL OF GINGER. UNAUTHORIZED USE IS STRICTLY PROHIBITED. ALL RIGHTS RESERVED.

GINGER		2001 CARNEGIE AVE. SANTA ANA CA 92705 (949) 417-5207	
DWG NO.	4681	REV	A
SCALE	.375	REF.	-
SHEET 2		OF 2	