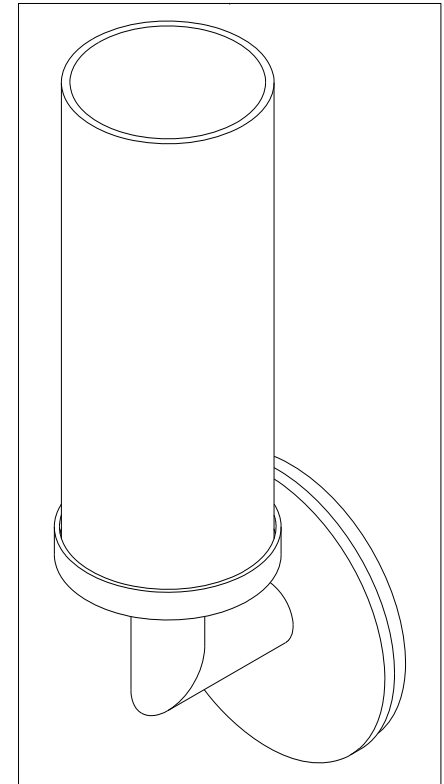
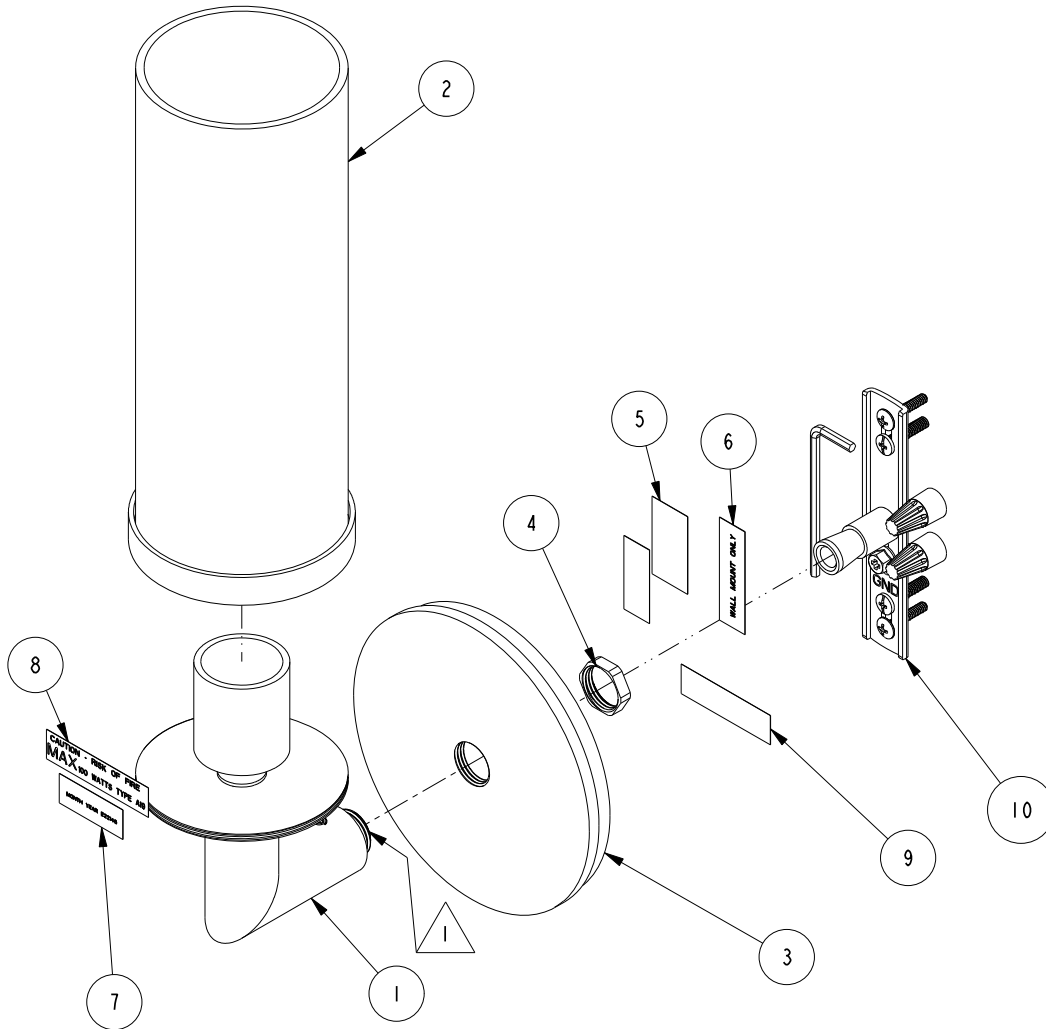




APPLY PERMANENT THREAD LOCKER (LOCTITE 680)

### BILL OF MATERIAL (CURRENT LEVEL)

ITEM	PT/ASSY	DESCRIPTION	TYPE	QTY.
1	3681-BAW	BODY ASSEMBLY	ASSEMBLY	1
2	3681-G-O	SHADE ASSEMBLY	ASSEMBLY	1
3	3681-LB	BASE	PART	1
4	92819	NUT, M18 X 1.5 MM HEX EXTRA THIN BRASS	PART	1
5	98006	LABEL, UL LISTED	PART	1
6	98012	LABEL, WALL MOUNT ONLY	PART	1
7	98079	LABEL, MONTH YEAR E163986	PART	2
8	98101	LABEL, 100 WATTS MAX	PART	1
9	98113	LABEL, PNXXX INCANDESCENT FOR DAMP LOCATIONS	PART	1
10	CB-001	LIGHT MOUNTING KIT	ASSEMBLY	1



COPYRIGHT 2005 GINGER. THESE DRAWINGS AND THE DESIGNS DEPICTED HEREIN ARE THE PROPRIETARY PROPERTY OF GINGER. ANY USE OR REPRODUCTION IS SUBJECT TO THE EXPRESS APPROVAL OF GINGER. UNAUTHORIZED USE IS STRICTLY PROHIBITED. ALL RIGHTS RESERVED.

**GINGER**

2001 E. CARNEGIE AVE.  
SANTA ANNA CA 92705  
(949) 417-5207

SINGLE LIGHT W/LARGE BASE

ASSY. NO.

4681L

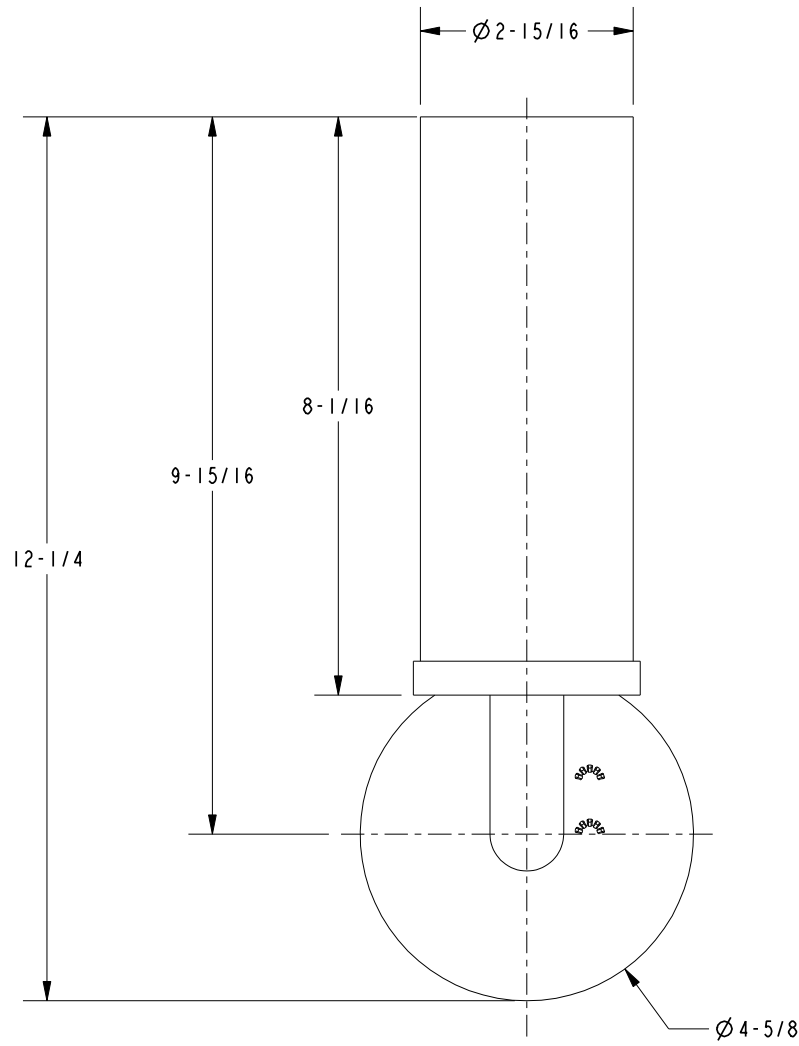
SCALE .375


REF. -

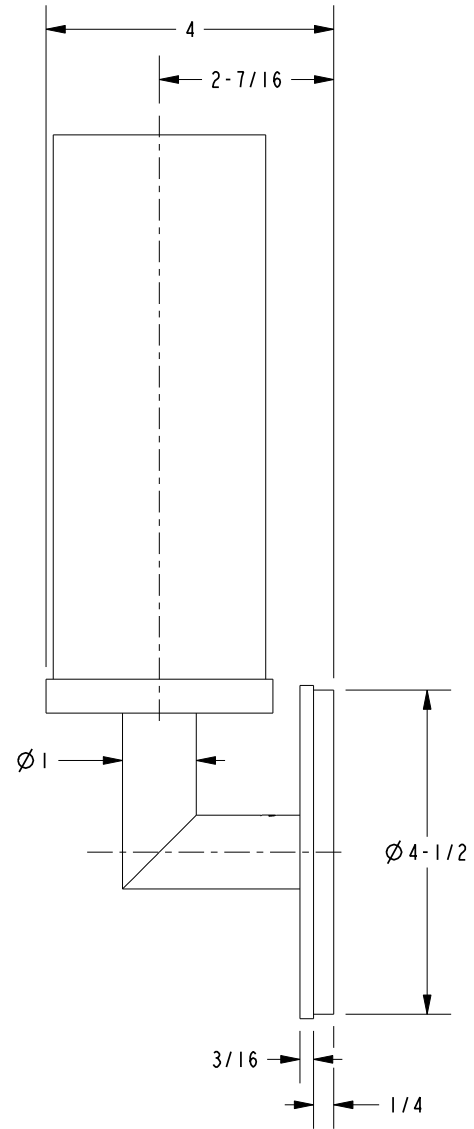
SHEET 1 OF 2

B	EN-2574	08/06/13
A	EN-2231	03/25/13
-	EN-1674	06/08/11
REV	REV DESC	DATE

**SPECIFICATION DWG**



ADA compliant 



DIMENSIONS ARE IN INCHES AND AN APPROXIMATION OF A TYPICAL INSTALLATION

COPYRIGHT 2005 GINGER. THESE DRAWINGS AND THE DESIGNS DEPICTED HEREIN ARE THE PROPRIETARY PROPERTY OF GINGER. ANY USE OR REPRODUCTION IS SUBJECT TO THE EXPRESS APPROVAL OF GINGER. UNAUTHORIZED USE IS STRICTLY PROHIBITED. ALL RIGHTS RESERVED.

<b>GINGER</b>		2001 CARNEGIE AVE. SANTA ANA CA 92705 (949) 417-5207	
DWG NO.	<b>4681L</b>	REV	<b>B</b>
SCALE	.375	REF.	-
SHEET	2	OF	2