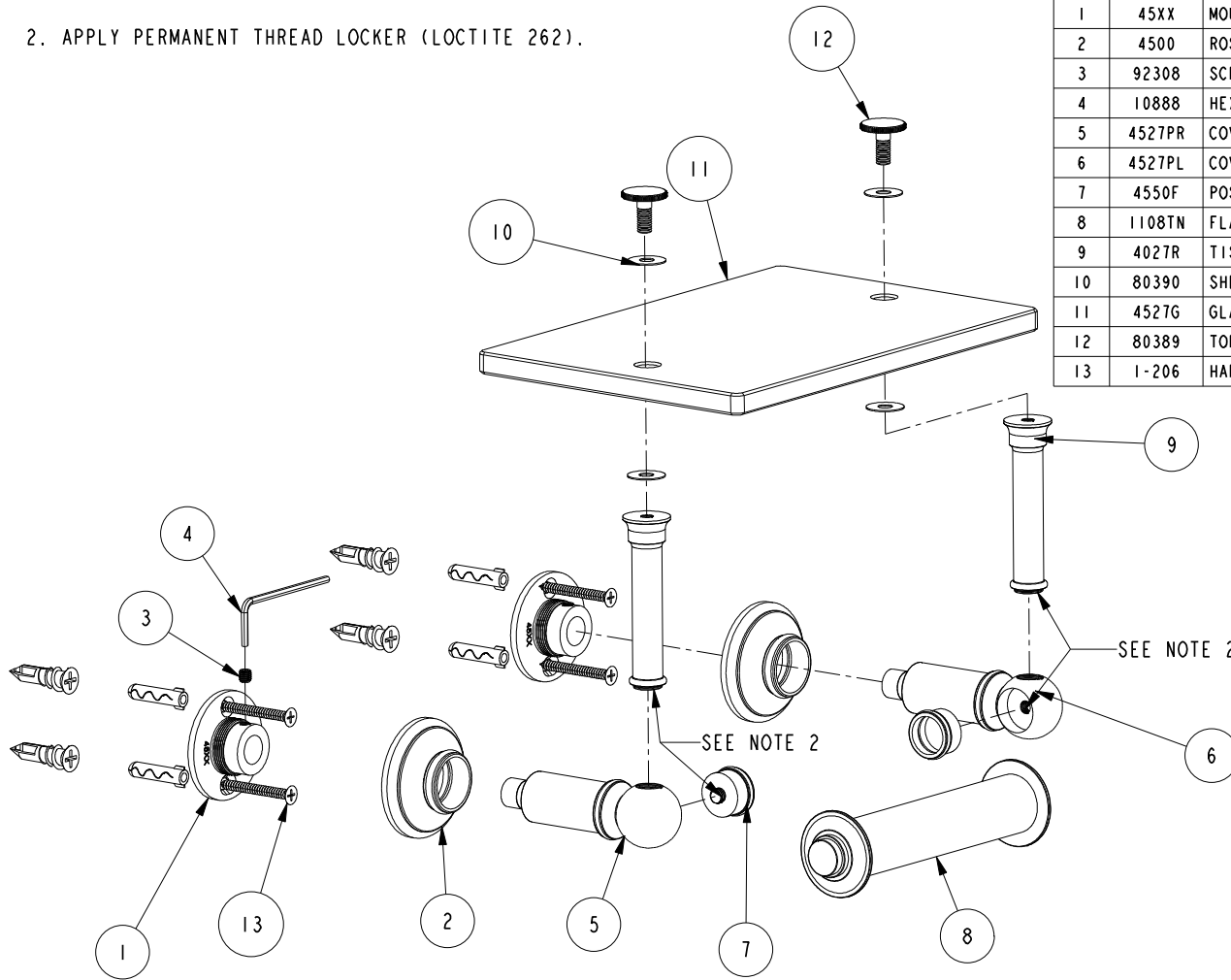


NOTES:

- (NI) 1. FIT / FORM / FUNCTION SHALL FOLLOW PS-E.008.
- 2. APPLY PERMANENT THREAD LOCKER (LOCTITE 262).

BILL OF MATERIAL (CURRENT LEVEL)

ITEM	PT/ASSY	DESCRIPTION	TYPE	QTY.
1	45XX	MOUNTING FLANGE	PART	2
2	4500	ROSETTE	PART	2
3	92308	SCRW, M5 X 5 SKT HD CUP PT W/ SELF LOC SS	PART	2
4	10888	HEX KEY, 2.5MM ALLOY STEEL	PART	1
5	4527PR	COVERED TISSUE HOLDER POST RIGHT	PART	1
6	4527PL	COVERED TISSUE HOLDER POST LEFT	PART	1
7	4550F	POST FLANGE	PART	2
8	1108TN	FLANGED TISSUE ROLLER	PART	1
9	4027R	TISSUE SHELF RISER	PART	2
10	80390	SHELF WASHER	PART	4
11	4527G	GLASS COVER	PART	1
12	80389	TOP SCREW	PART	2
13	I-206	HARDWARE PACK	ASSEMBLY	2



-	B	EN-4032	11/25/19	R. S.
-	A	-	07/13/07	-
ZONE	REV	DESCRIPTION	DATE	APPROVED

COPYRIGHT 2005 BRASSTECH, INC. THESE DRAWINGS AND THE DESIGNS DEPICTED HEREIN ARE THE PROPRIETARY PROPERTY OF BRASSTECH. ANY USE OR REPRODUCTION IS SUBJECT TO THE EXPRESS APPROVAL OF BRASSTECH. UNAUTHORIZED USE IS STRICTLY PROHIBITED. ALL RIGHTS RESERVED.

TESTING	-	-	-
ASSEMBLY	-	-	-
PLATING	-	-	-
POLISHING	-	NEXT ASSY	USED ON
MACHINING	-	APPLICATION	
TOOLING FIXTURE #	REMOVE ALL BURRS AND SHARP EDGES		

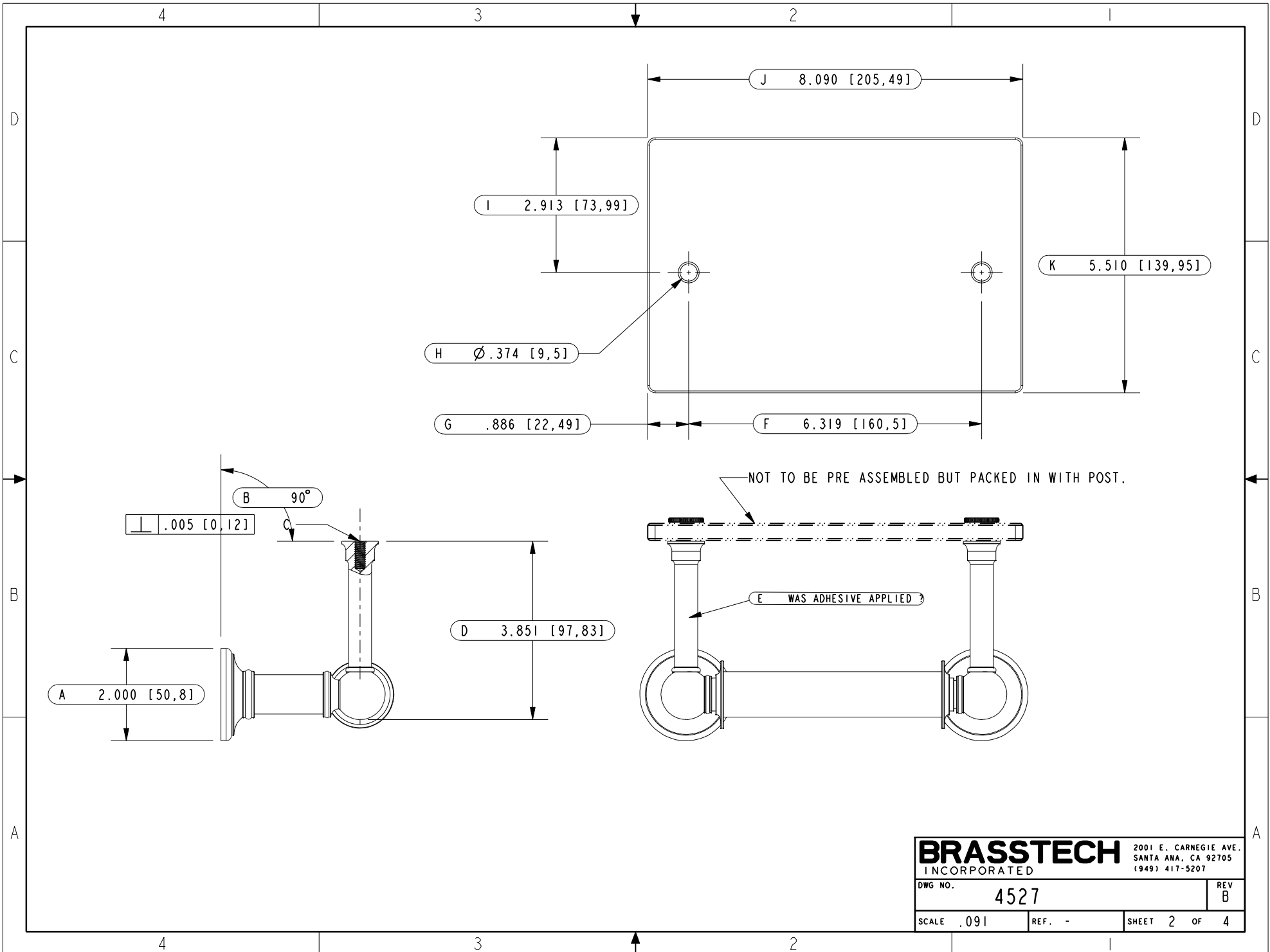
UNITS ARE: INCHES [MM]	
TOLERANCES ARE:	
FRACTIONS	DECIMALS
±1/16"	±.005
.X ±.1 [2.5]	ANGLES ±1°
.XX ±.06 [1.5]	
(X.XXX) DENOTES CRITICAL DIMS. ALL THREADS ARE CRITICAL	
DRAWN	-
CHECKED	-
APPROVED	-

**BRASSTECH** 2001 CARNEGIE AVE. SANTA ANA, CA 92705 (949) 417-5207  
INCORPORATED

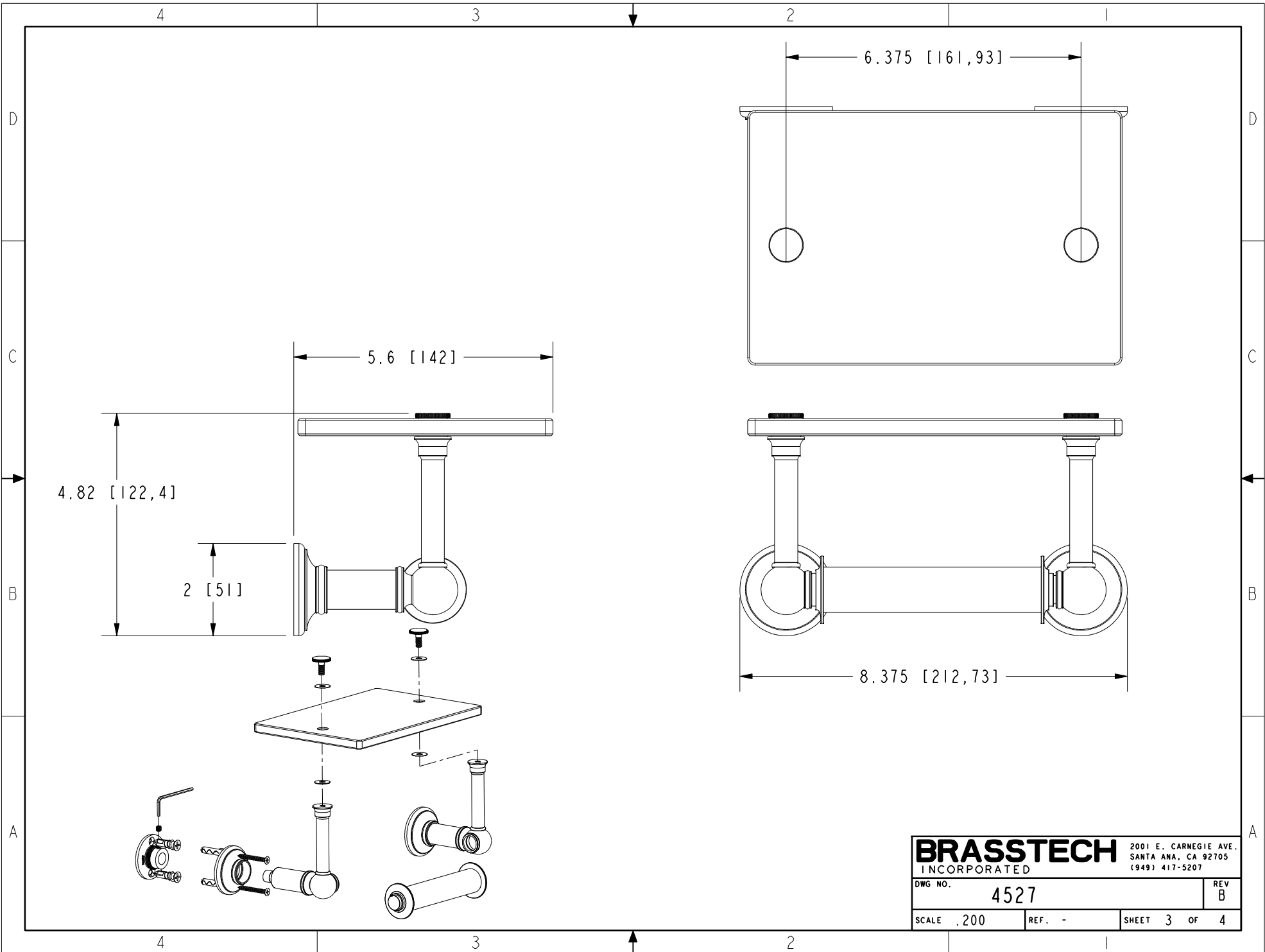
**COVERED DOUBLE POST TISSUE HOLDER**

DWG NO. **4527** REV B

SCALE .325 REF. - SHEET 1 OF 4



<b>BRASSTECH</b>		2001 E. CARNEGIE AVE. SANTA ANA, CA 92705 (949) 417-5207	
DWG NO.	4527	REV	B
SCALE	.091	REF.	-
		SHEET	2 OF 4



**BRASSTECH** 2001 E. CARNEGIE AVE.  
 INCORPORATED SANTA ANA, CA 92705  
 (949) 417-5207

DWG NO.	4527	REV	B
SCALE	.200	REF.	-
SHEET 3		OF 4	

