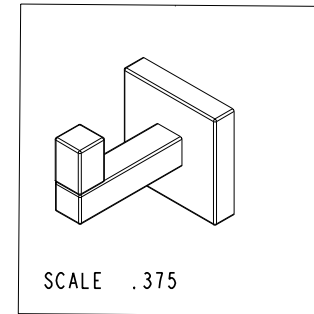
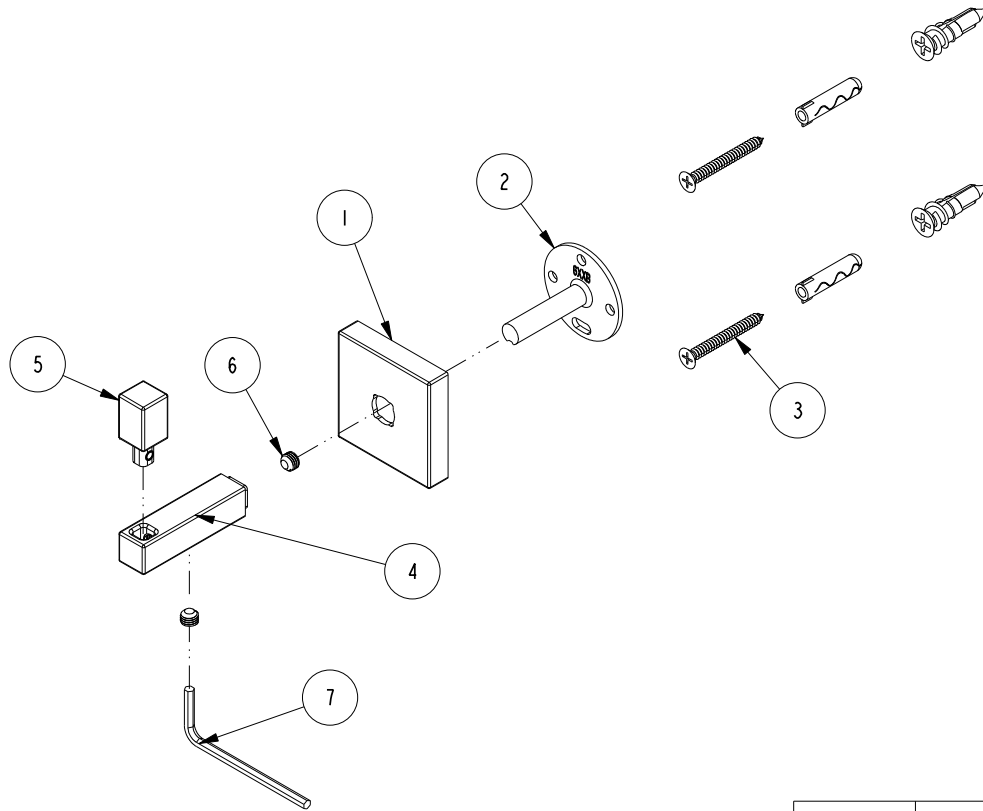


NOTES:

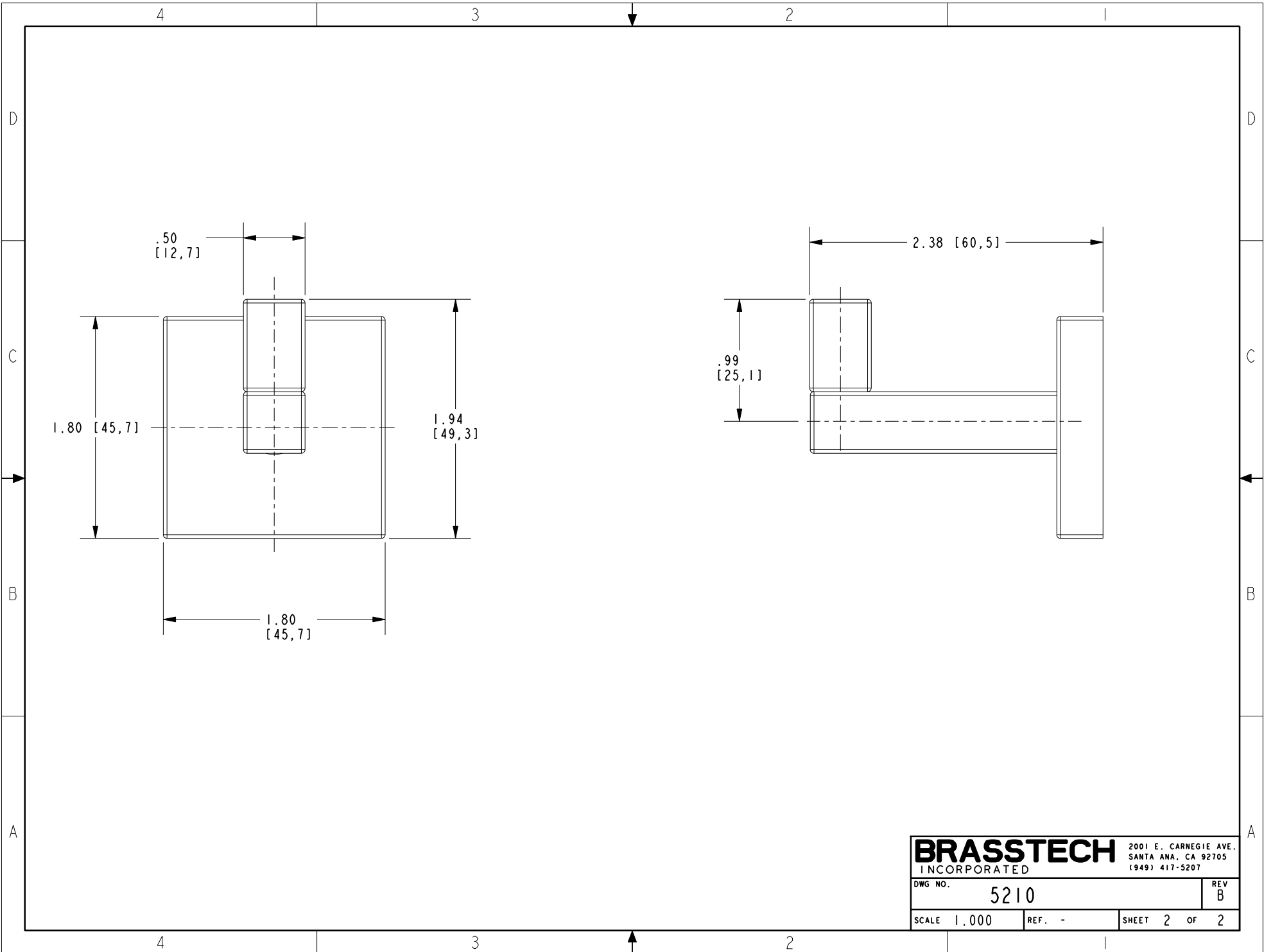
- (NI) 1. TO INSPECT ASSEMBLY, FOLLOW FIRST ARTICLE AND IN PROCESS INSPECTION SHEET.

BILL OF MATERIAL (CURRENT LEVEL)

ITEM	PT/ASSY	DESCRIPTION	TYPE	QTY.
1	40596	ESCUTCHEON	PART	1
2	6XXB	MOUNTING BRACKET	PART	1
3	1-206	HARDWARE PACK	ASSEMBLY	1
4	40605	ROBE HOOK POST	PART	1
5	40606	ROBE HOOK FINIAL	PART	1
6	92563	SCRW, 1/4-28 X 3/16 SKT HD CUP PT SS	PART	2
7	92422	HEX KEY, 1/8" ALLOY STEEL	PART	1



TESTING - - - ASSEMBLY - - - PLATING - - - POLISHING - - - MACHINING - - -					- - - - - - - - - NEXT ASSY USED ON APPLICATION		UNITS ARE: INCHES [MM] TOLERANCES ARE: FRACTIONS DECIMALS ANGLES ±1/16" .X ±.1 [2.5] ±° .XX ±.06 [1.5]		BRASSTECH 2001 CARNEGIE AVE. INCORPORATED SANTA ANA, CA 92705 (949) 417-5207		
-	B	EN-4300T	06/29/22	R.S.	COPYRIGHT 2005 BRASSTECH, INC. THESE DRAWINGS AND THE DESIGNS DEPICTED HEREIN ARE THE PROPRIETARY PROPERTY OF BRASSTECH. ANY USE OR REPRODUCTION IS SUBJECT TO THE EXPRESS APPROVAL OF BRASSTECH. UNAUTHORIZED USE IS STRICTLY PROHIBITED. ALL RIGHTS RESERVED.		(X.XXX) DENOTES CRITICAL DIMS. ALL THREADS ARE CRITICAL		DWG NO. 5210		REV
-	A	EN-4032	12/03/19	R.S.			DRAWN JINSON 10/25/21		B		
-	-	EN-2846	11/06/15	J.M.			CHECKED R.S. 10/25/21		APPROVED R.S. 10/25/21		
ZONE	REV	DESCRIPTION	DATE	APPROVED	TOOLING FIXTURE #	REMOVE ALL BURRS AND SHARP EDGES	SCALE	REF.	SHEET	OF	
							.375	-	1	2	



BRASSTECH		2001 E. CARNEGIE AVE. SANTA ANA, CA 92705 (949) 417-5207	
DWG NO.	5210	REV	B
SCALE	1.000	REF.	-
		SHEET	2 OF 2