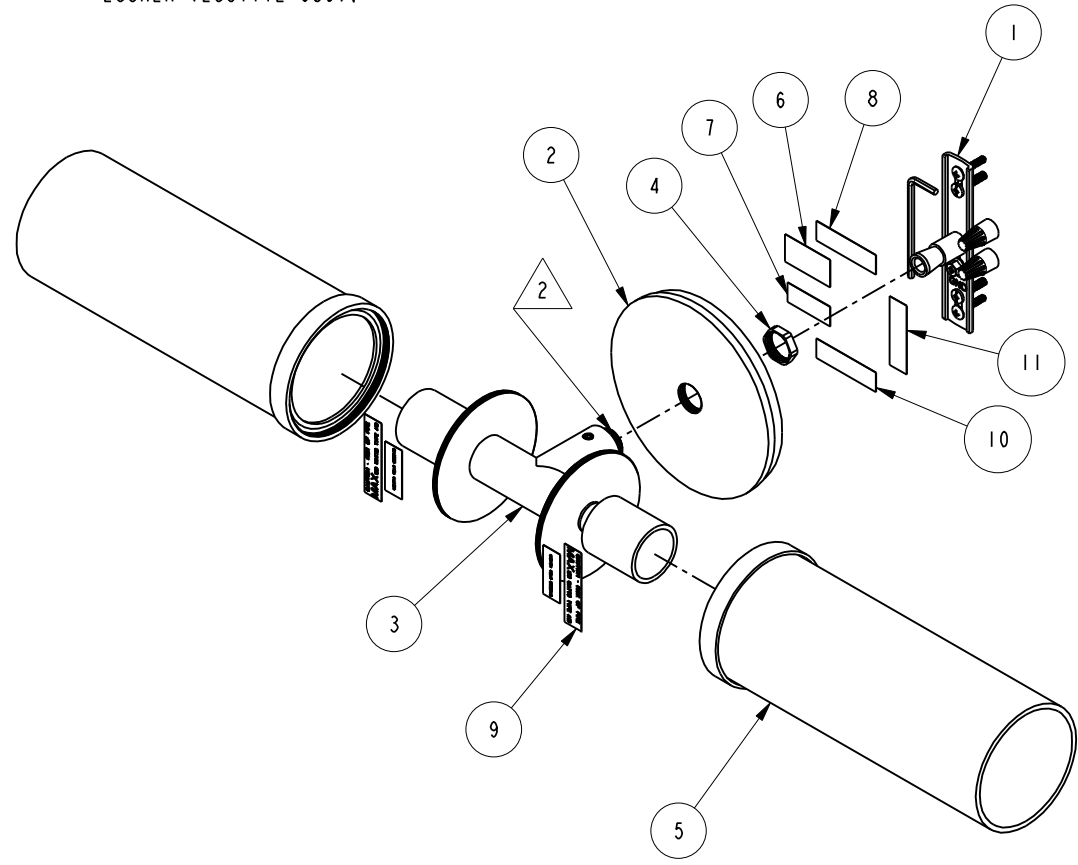


NOTES:

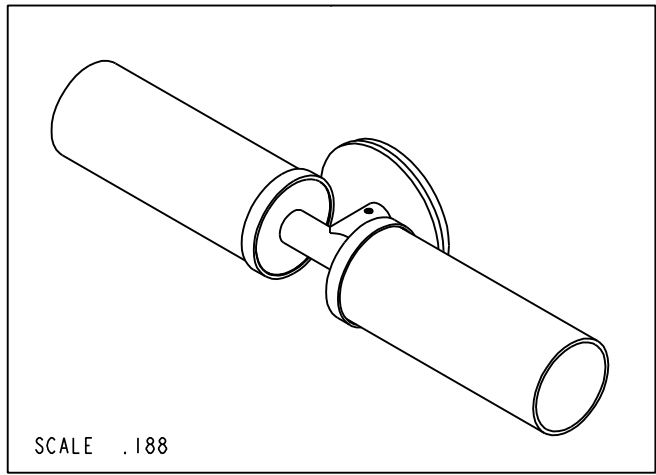
1. TO INSPECT ASSEMBLY, FOLLOW FIRST ARTICLE AND IN PROCESS INSPECTION SHEET.

2. APPLY PERMANENT THREAD LOCKER (LOCTITE 680).



BILL OF MATERIAL (CURRENT LEVEL)

ITEM	PT/ASSY	DESCRIPTION	TYPE	QTY.
1	CB-001	LIGHT MOUNTING KIT	ASSEMBLY	1
2	3681-LB	BASE	PART	1
3	3682-BAW	BODY ASSEMBLY	ASSEMBLY	1
4	92819	NUT, M18 X 1.5 MM HEX EXTRA THIN BRASS	PART	1
5	3681-G-0	SHADE ASSEMBLY	ASSEMBLY	2
6	98006	LABEL, UL LISTED	PART	1
7	98079	LABEL, MONTH YEAR E222146	PART	3
8	98012	LABEL, WALL MOUNT ONLY	PART	1
9	98101	LABEL, 100 WATTS MAX	PART	2
10	98113	LABEL, PNXXX INCANDESCENT FOR DAMP LOCATIONS	PART	1
11	98088	LABEL, MIN 75 C SUPPLY CONDUCTORS	PART	1



ZONE	REV	DESCRIPTION	DATE	APPROVED
-	D	EN-4300o	06/10/21	R.S.
-	C	EN-3127	08/29/16	R.S.
-	B	EN-2574	08/06/13	-
-	A	EN-2231	03/25/13	-
-	-	EN-1674	06/08/11	-

COPYRIGHT 2005 BRASSTECH, INC. THESE DRAWINGS AND THE DESIGNS DEPICTED HEREIN ARE THE PROPRIETARY PROPERTY OF BRASSTECH. ANY USE OR REPRODUCTION IS SUBJECT TO THE EXPRESS APPROVAL OF BRASSTECH. UNAUTHORIZED USE IS STRICTLY PROHIBITED. ALL RIGHTS RESERVED.

TESTING	ASSEMBLY	PLATING	POLISHING	MACHINING	TOOLING FIXTURE #	APPLICATION
-	-	-	-	-	-	REMOVE ALL BURRS AND SHARP EDGES
-	-	-	-	-	-	USED ON
-	-	-	-	-	-	APPLICATION

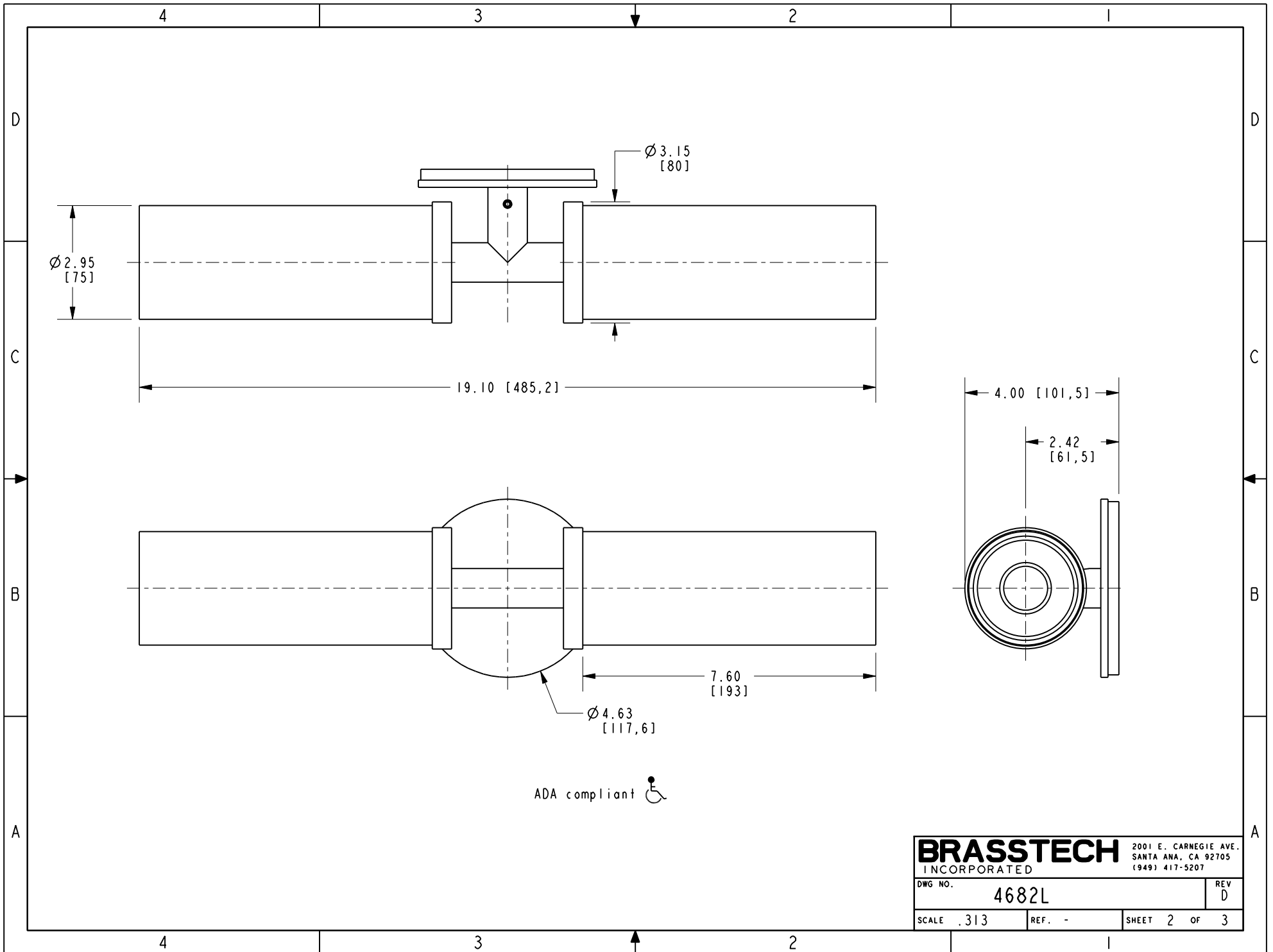
UNITS ARE: INCHES [MM]	
TOLERANCES ARE:	
FRACTIONS DECIMALS	ANGLES
±1/16"	.X ±.1 [2,5]
	.XX ±.06 [1,5]
X.XXX DENOTES CRITICAL DIMS. ALL THREADS ARE CRITICAL	
DRAWN	JINSON 06/10/21
CHECKED	R.S. 06/10/21
APPROVED	R.S. 06/10/21

**BRASSTECH** 2001 CARNEGIE AVE. SANTA ANA, CA 92705 (949) 417-5207  
INCORPORATED

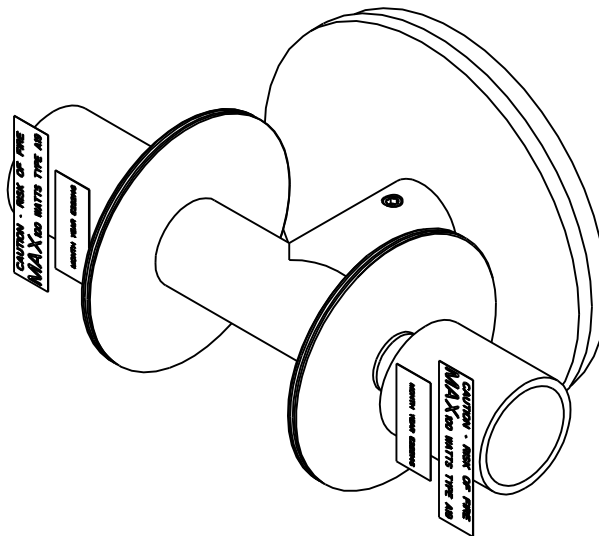
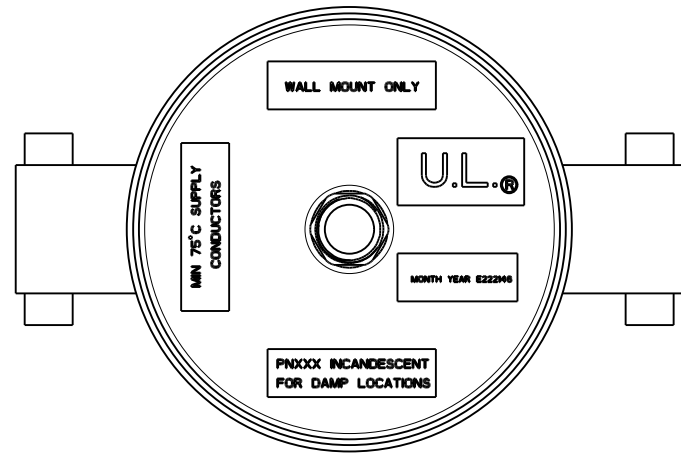
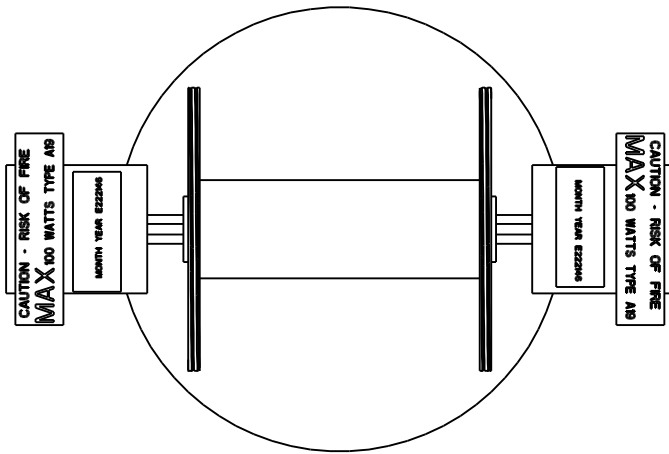
**DOUBLE LIGHT W/LARGE BASE**

DWG NO. **4682L** REV **D**

SCALE .250 REF. - SHEET 1 OF 3



<b>BRASSTECH</b>		2001 E. CARNEGIE AVE. SANTA ANA, CA 92705 (949) 417-5207	
DWG NO.	4682L	REV	D
SCALE	.313	REF.	-
SHEET 2		OF 3	



<b>BRASSTECH</b>		2001 E. CARNEGIE AVE. SANTA ANA, CA 92705 (949) 417-5207	
DWG NO.	4682L	REV	D
SCALE	.500	REF.	-
		SHEET	3 OF 3