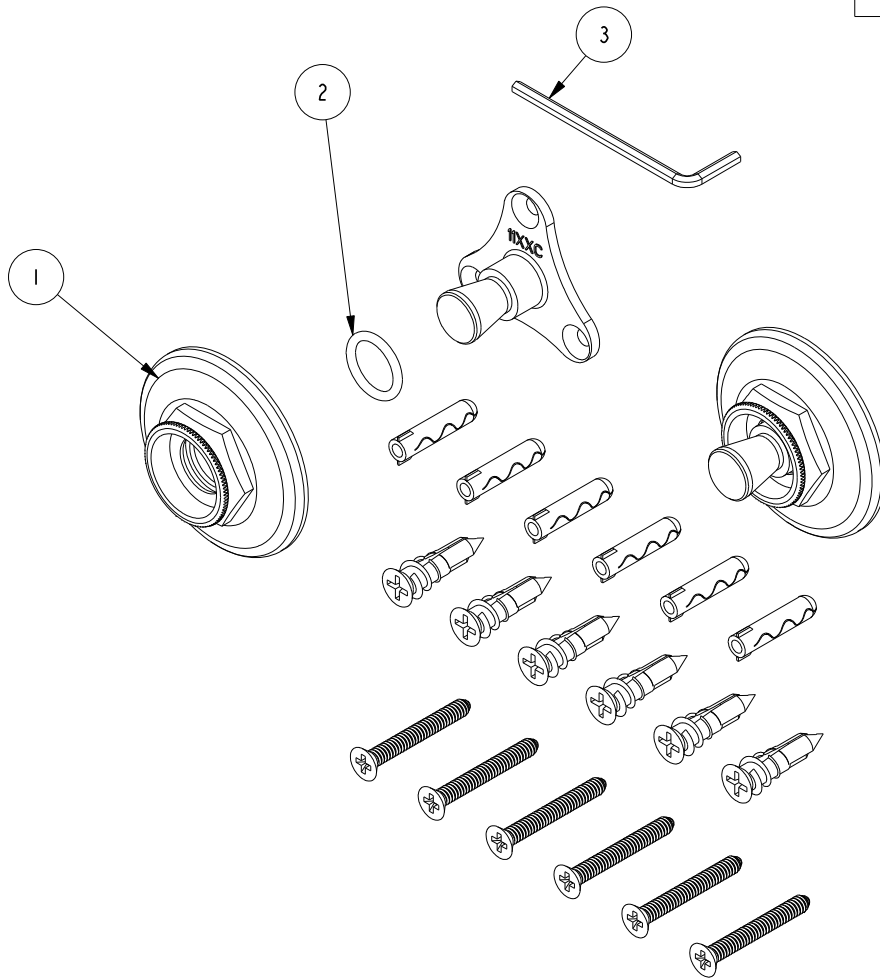


BILL OF MATERIAL (CURRENT LEVEL)				
ITEM	PT/ASSY	DESCRIPTION	TYPE	QTY.
1	40588	HOTEL SHELF ESCUTCHEON	PART	2
2	91178	O-RING, 2.5 X 15MM ID, EPDM, 65-75 DUROPART	DUROPART	2
3	4BX	4BX HOTEL SHELF MOUNTING PACK	ASSEMBLY	1



COPYRIGHT 2005 GINGER. THESE DRAWINGS AND THE DESIGNS DEPICTED HEREIN ARE THE PROPRIETARY PROPERTY OF GINGER. ANY USE OR REPRODUCTION IS SUBJECT TO THE EXPRESS APPROVAL OF GINGER. UNAUTHORIZED USE IS STRICTLY PROHIBITED. ALL RIGHTS RESERVED.

GINGER

2001 E. CARNEGIE AVE.
SANTA ANNA CA 92705
(949) 417-5207

HOTEL SHELF MOUNTING KIT

ASSY. NO. **484B**

SCALE .500

REF. -

SHEET | OF |

REV	REV DESC	DATE
A	EN-2717	04/04/14
-	EN-2086	09/01/13